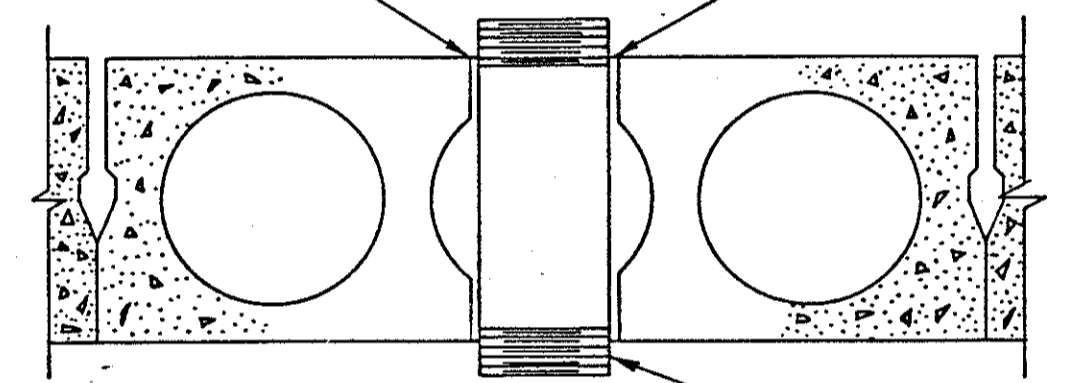
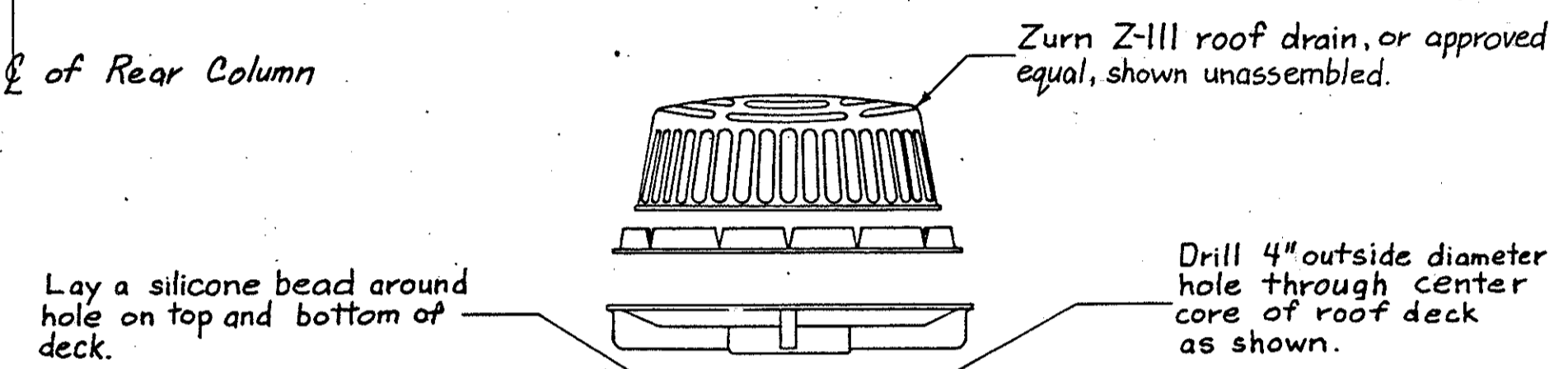
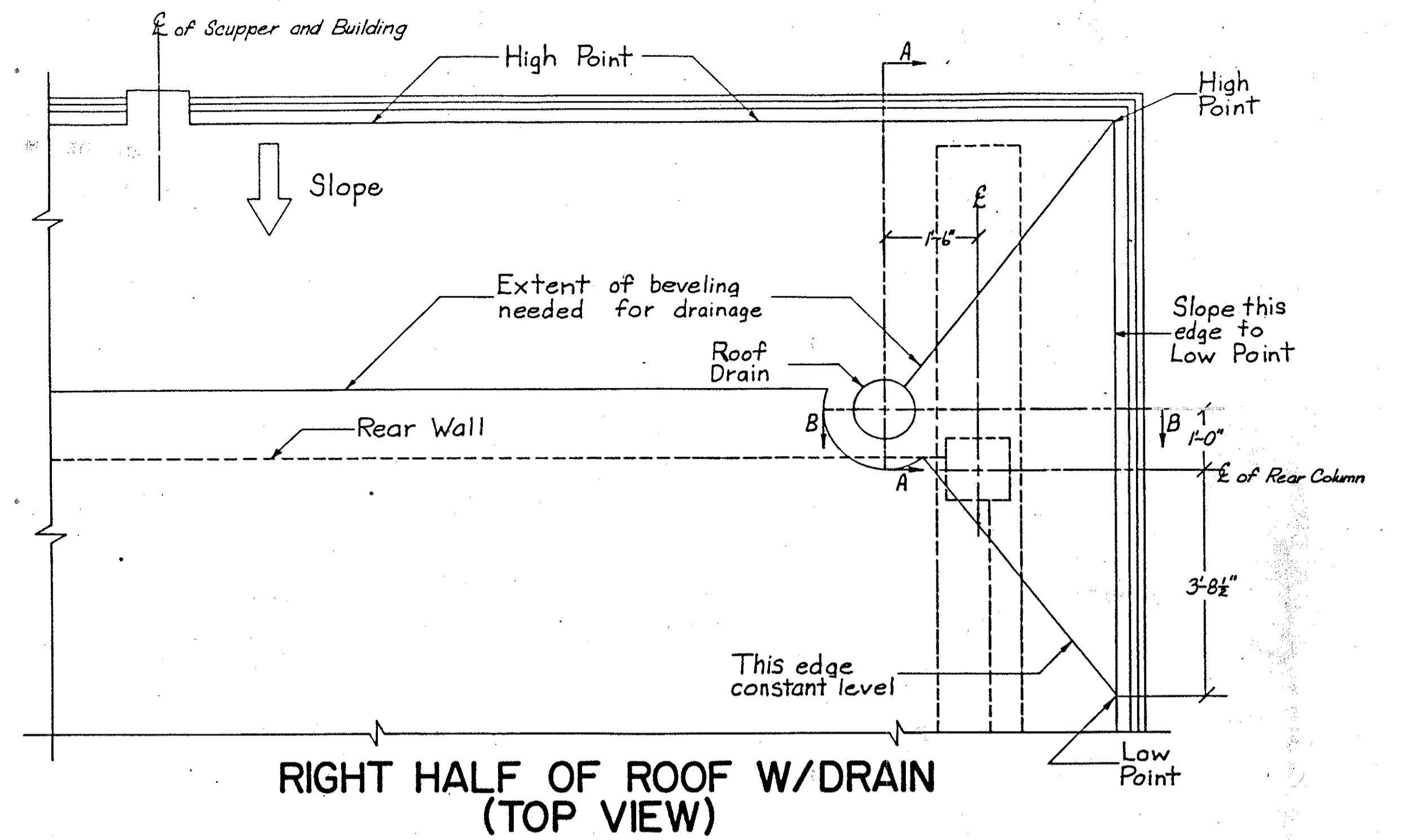


SECTION A-A

NOTE: TWO DRAINS REQUIRED PER BUILDING, LOCATION OF ROOF DRAIN ON LEFT HALF OF ROOF IS TO BE THE SAME AS THAT SHOWN ON THE RIGHT.



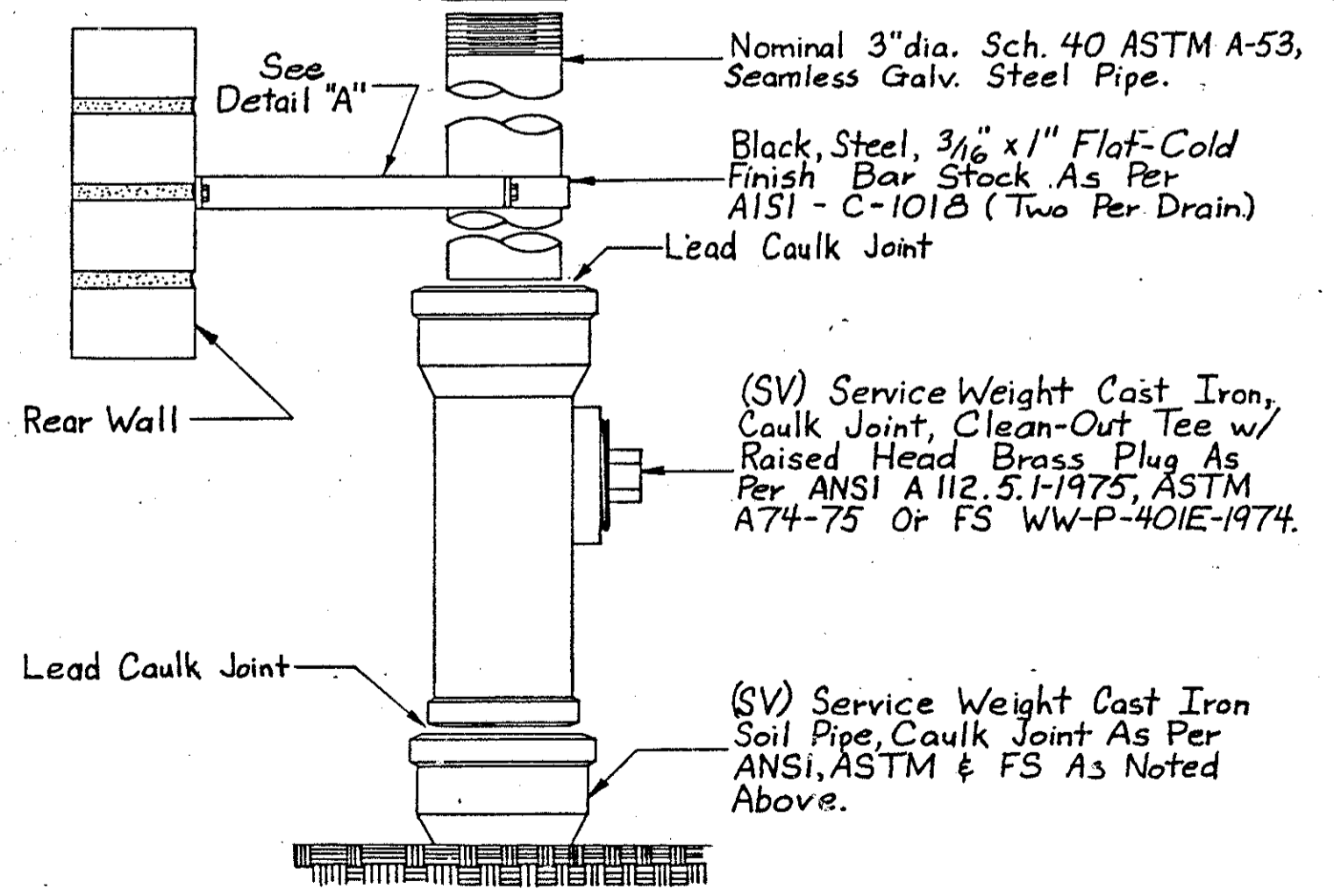
3/8" Black Steel Plate, ASTM-A-36, Hot Rolled, Size 12"x12". Hole through center shall be the same dia. as the O.D. of the pipe nipple.

Nominal 3" dia. x 10" long Sch. 40 ASTM A-53, Seamless, Gal. Steel nipple (American Standard Tapered Threads.)

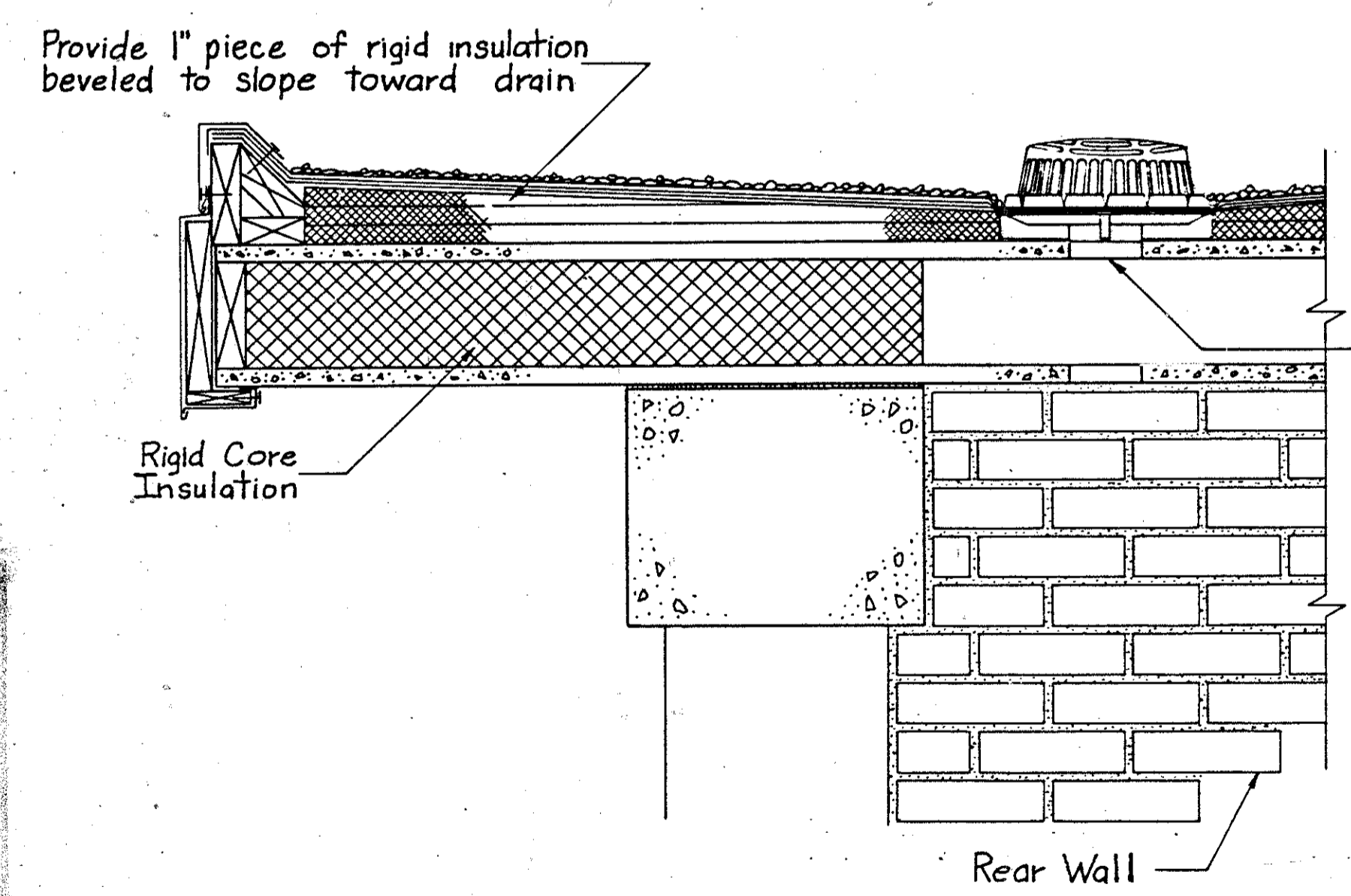
3" Dia., Standard Merchant Gal. Steel Coupling (8 Threads Per Inch.)

4" O.D. hole drilled through roof deck for nominal 3"x10" pipe nipple.

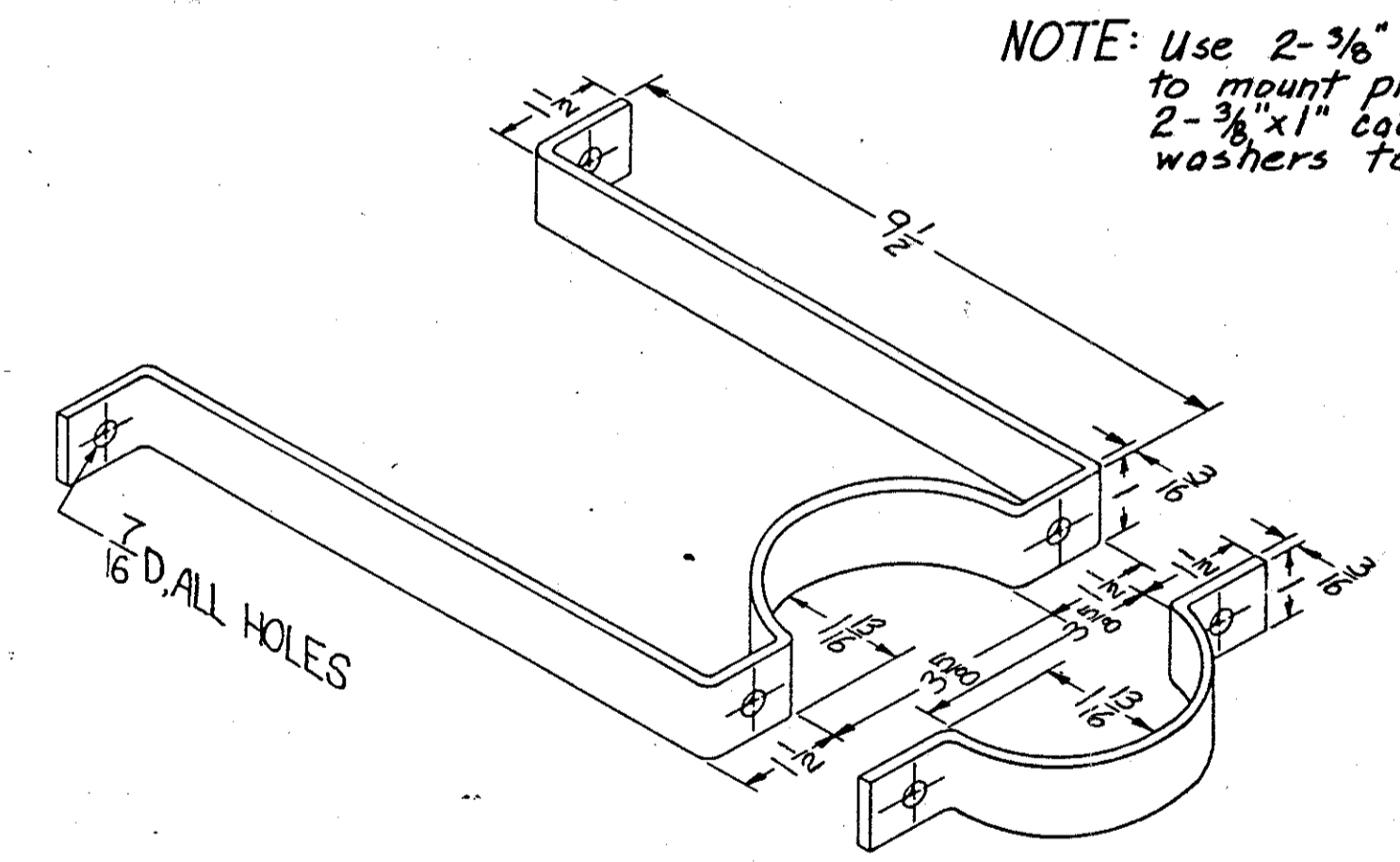
Zurn Z-190 Vertical Expansion Joint, or Approved Equal.



ROOF DRAIN & DOWNSPOUT ASSEMBLY DETAIL



SECTION B-B



DETAIL "A"

NOTE: Use 2-3/8" wedge anchors w/ washers to mount pipe bracket to wall and 2-3/8" x 1" cadmium plated bolts w/ washers to bolt bracket together.

BUREAU OF DESIGN SERVICES DIVISION OF HIGHWAYS OHIO DEPARTMENT OF TRANSPORTATION	
ROOF DRAIN AND DOWNSPOUT	DATE 9-8-82
APPROVED _____	Engr. of Design Services