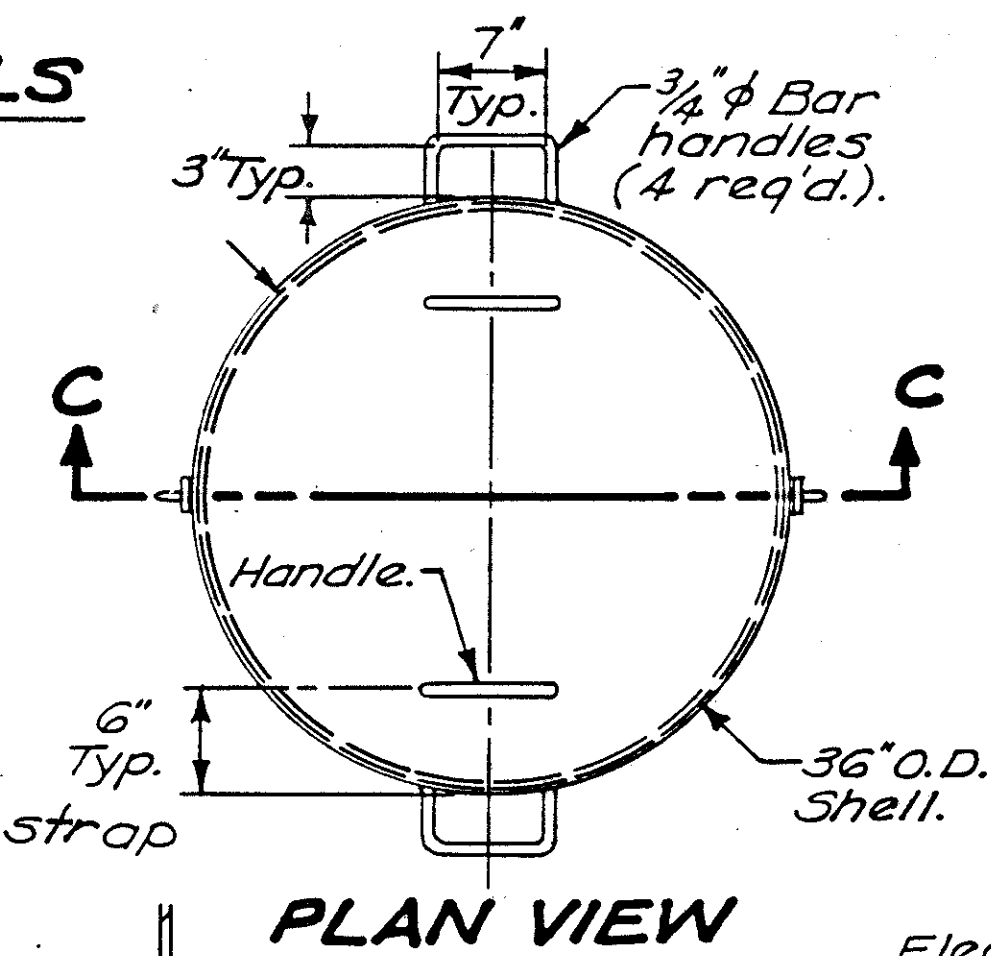
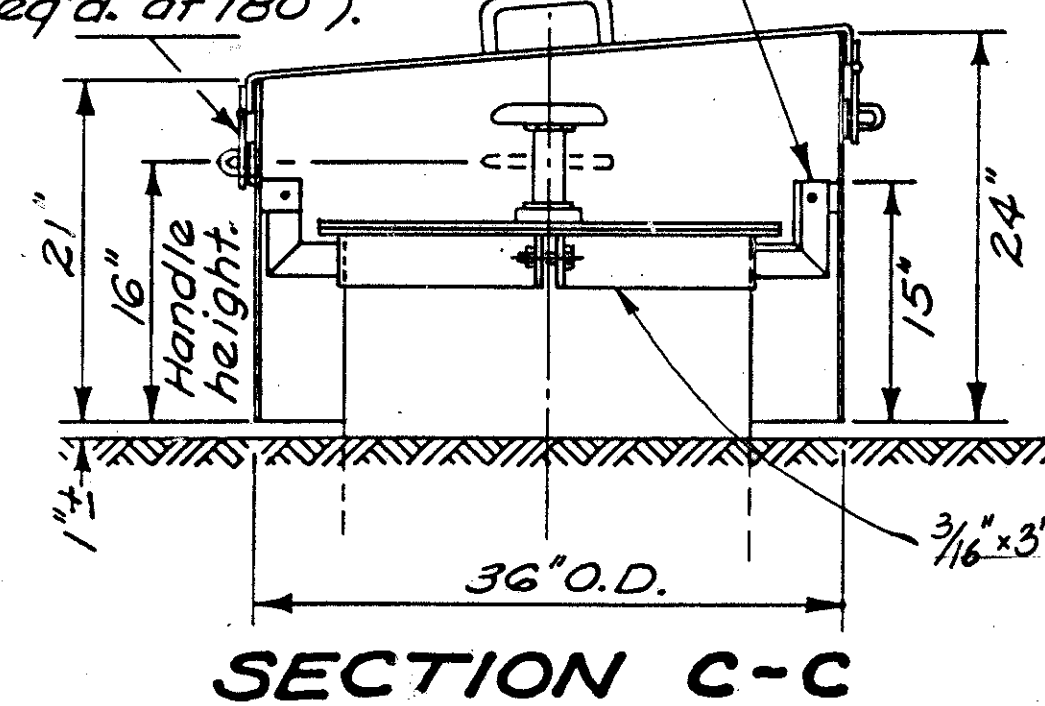


MANHOLE HOUSING DETAILS

Extra heavy strap hasps with rigid case & hardened staples (2 req'd. at 180°).
See Arm Detail (4 req'd. at 90°).

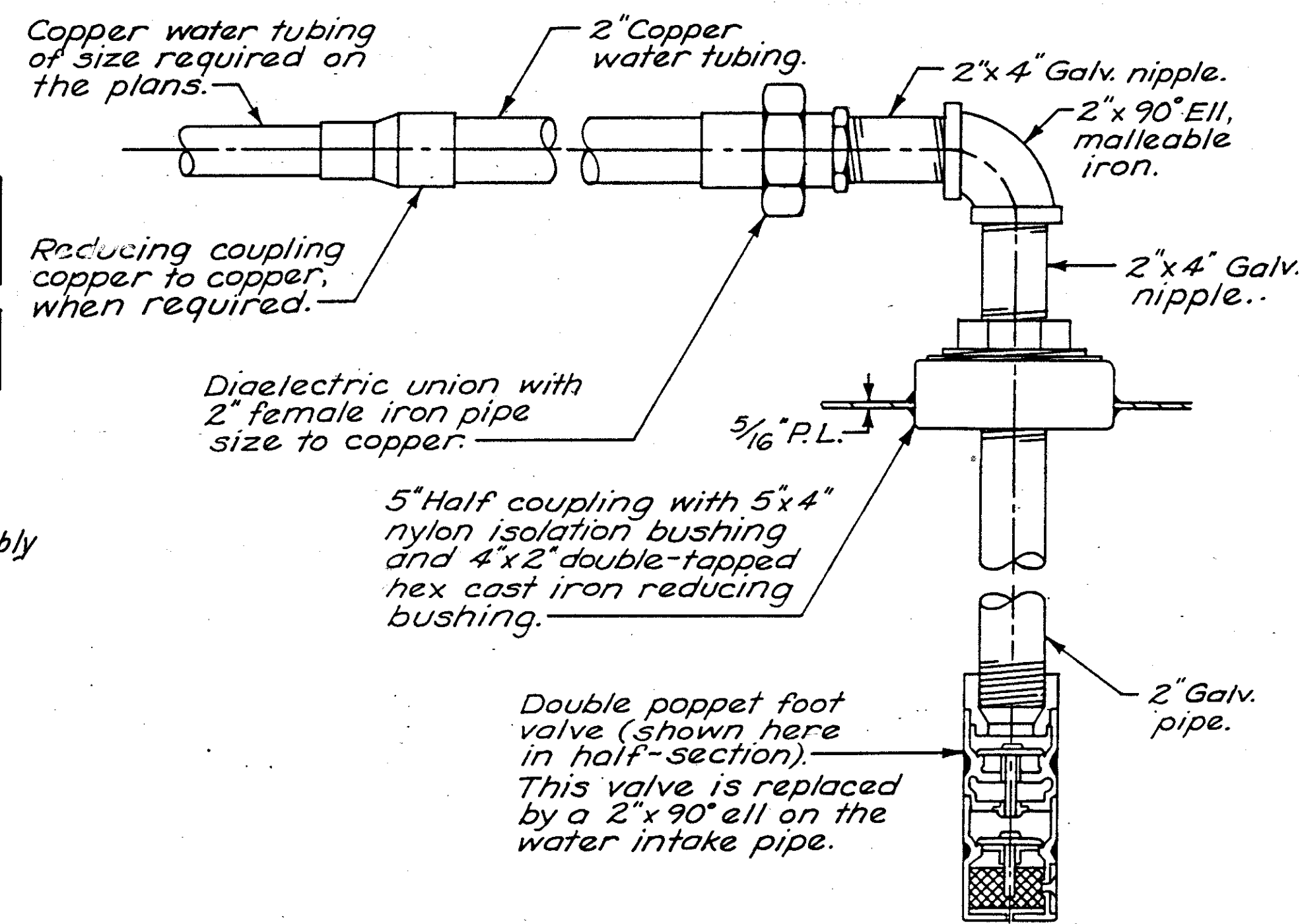
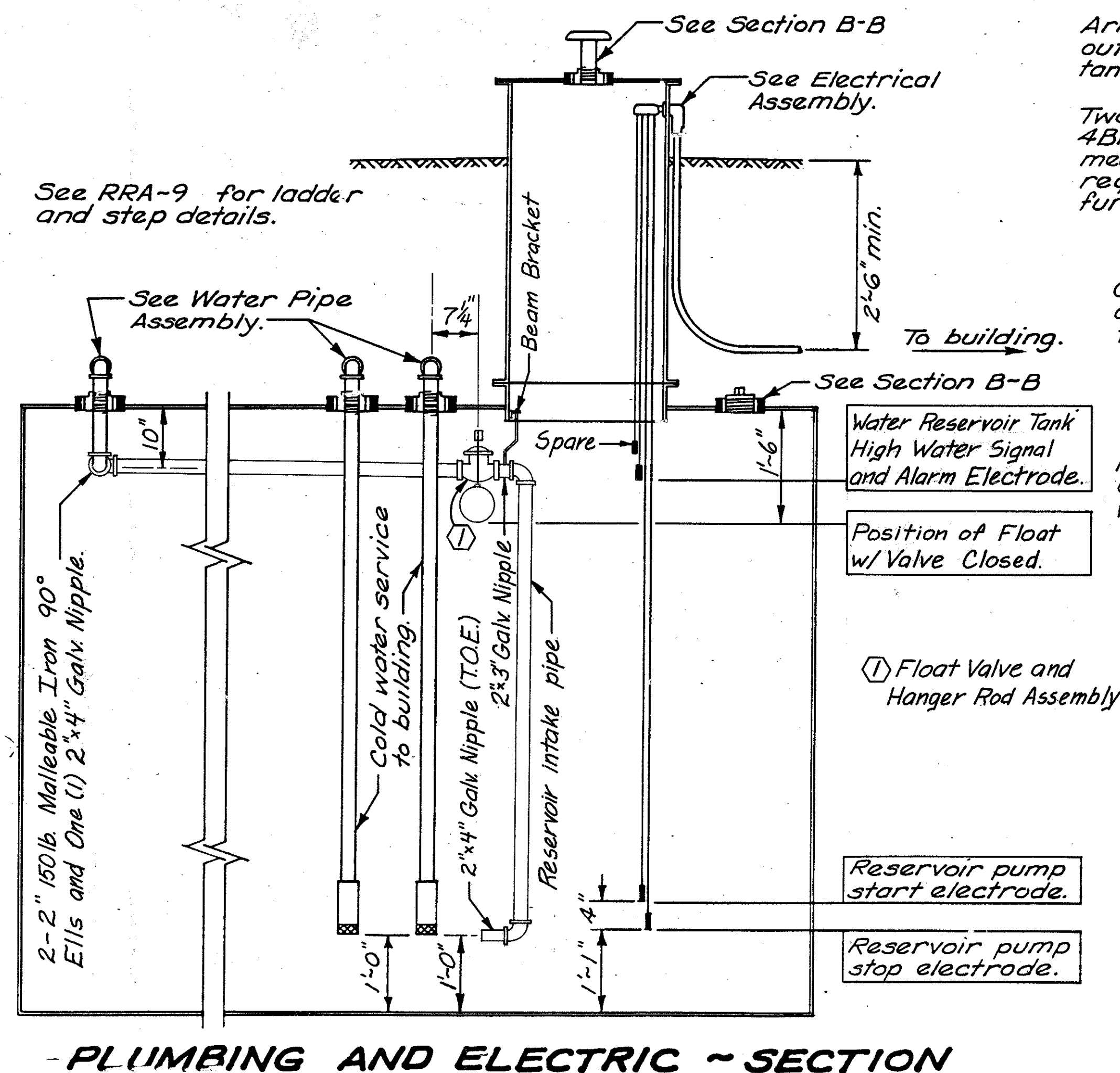
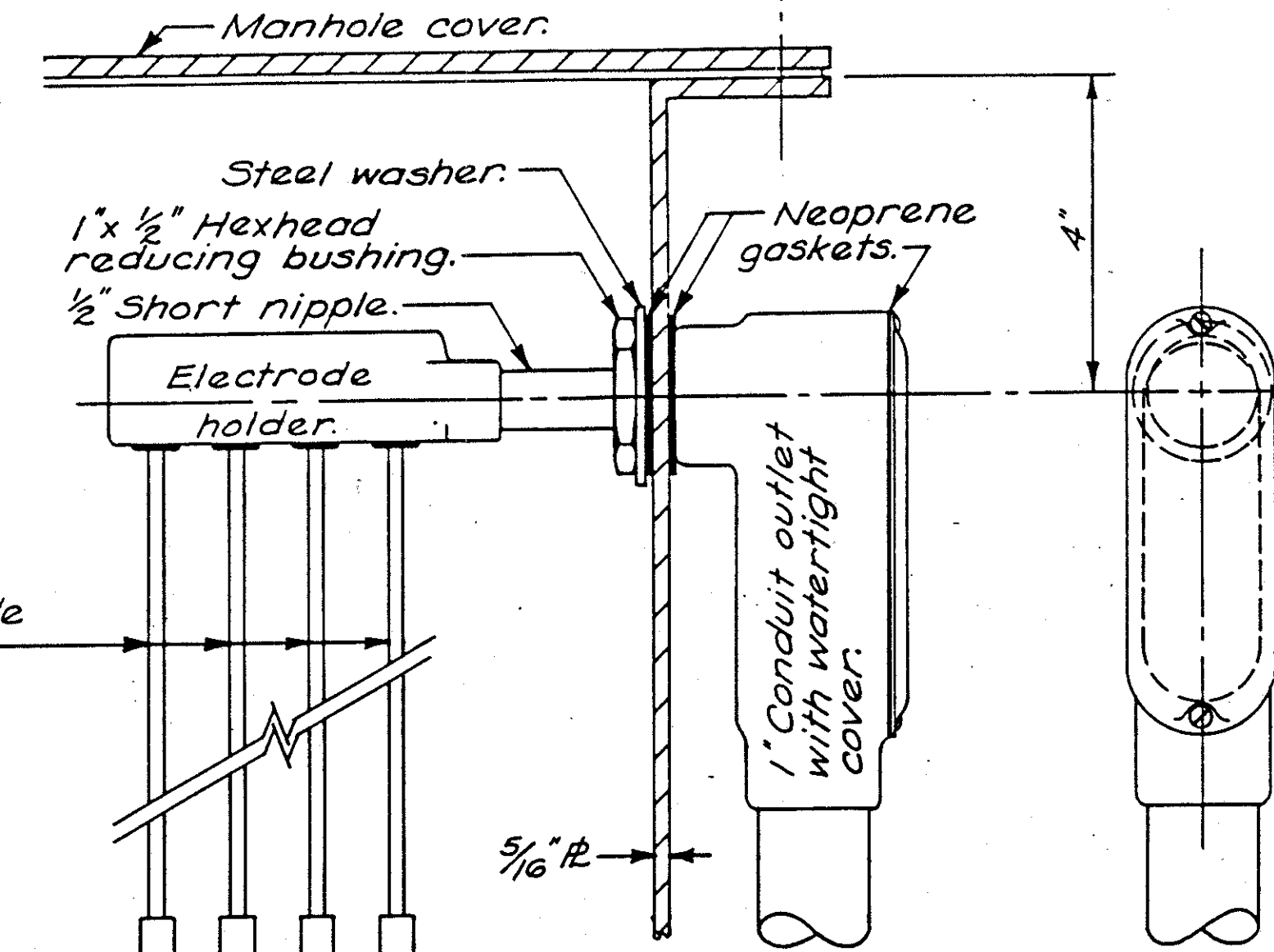
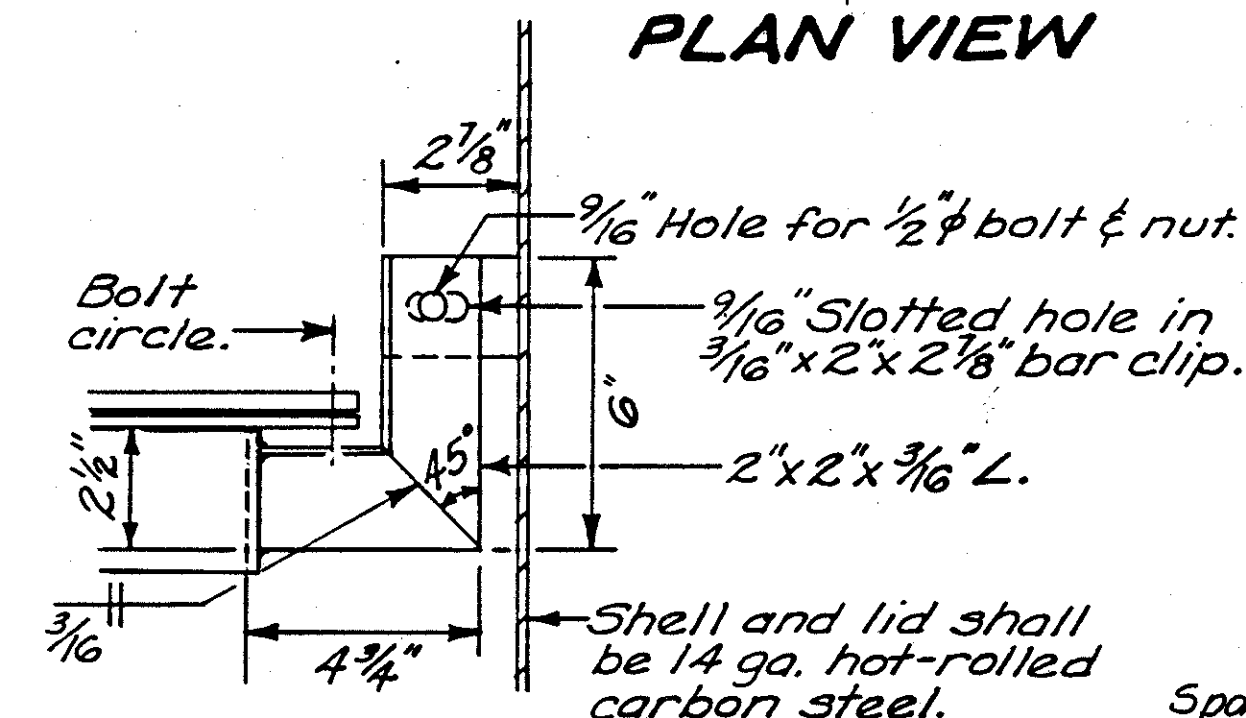


WELDS: Arms, bar clips, handles, hasps and staples shall be fillet welded all around.

Shell and lid shall be coated inside and outside with red oxide primer (708.19) and green finish paint (708.09).

Arms shall be covered by the same outside coating required on the tank, manhole and manhole cover.

Two padlocks equal to Master No. 4BKA or Wilson Bohannon 660 and meeting the corrosion and keying requirements of 631.08 shall be furnished with each housing.



BUREAU OF DESIGN SERVICES DIVISION OF HIGHWAYS OHIO DEPARTMENT OF TRANSPORTATION	
DATE 9/24/82	
WATER RESERVOIR TANK	
STANDARD CONSTRUCTION DRAWING	RRA-9A
APPROVED _____	Engr. of Design Services