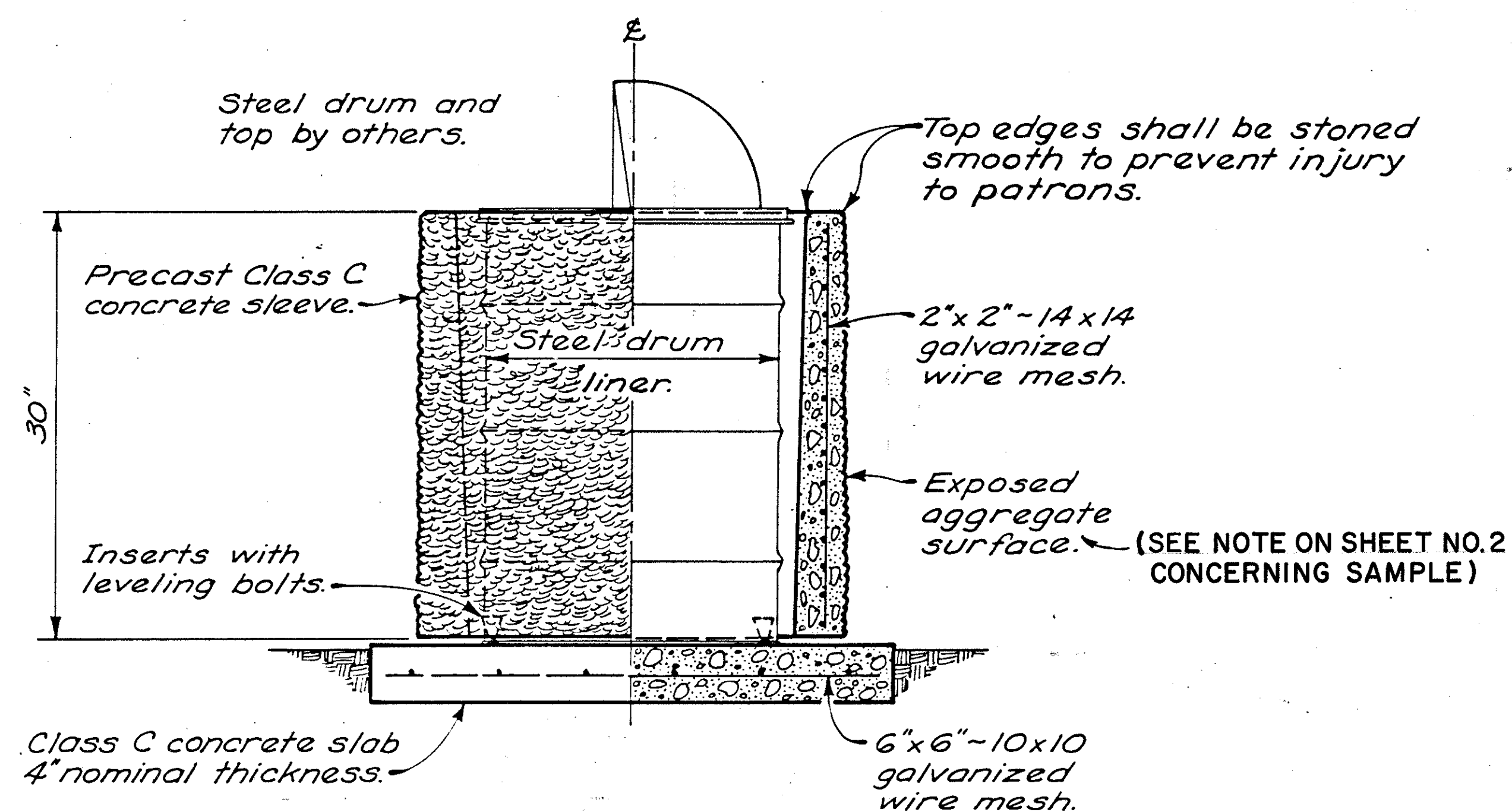
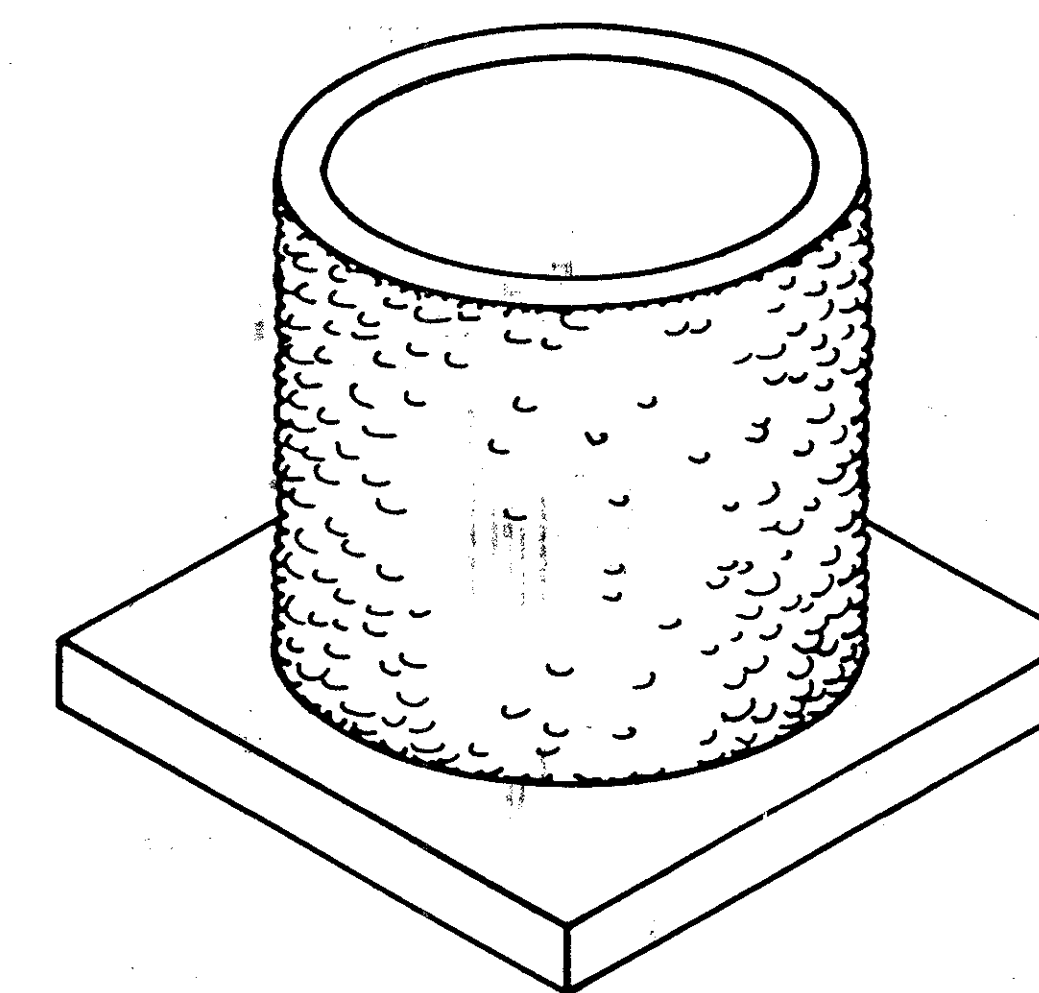


PLAN VIEW



SECTION A-A



SLEEVE & SLAB

- Leveling bolts shall be 1/2" x 2" galvanized hex-head meeting the requirements of 711.02.
- The top edge of sleeve and its aggregate surface shall have two coats of sealer such as the Euclid Chemical Co.'s Rez-Seal, the Thoro System's Thoroglaze, or approved equal.
- Method of measurement - Sleeve and slab shall be bid as:
Item Special - Waste receptacle sleeve.
Item Special - Waste receptacle slab.
- Payment shall include all excavation and back-fill; furnishing, hauling and placing all materials; and all labor, equipment, tools and incidentals necessary to complete these items as required. The number of units paid for shall be the number completed and accepted under the item specified.
- When the interior of the sleeve is tapered from 24" I.D. at the top to 22" I.D. at the base (as detailed) the approximate weight of sleeve is 355 pounds. The sleeve may also be formed with a uniform 2 1/2" thickness and a 24" I.D. The approximate weight of this unit is 260 pounds.
- The slab weighs approximately 450 pounds.
- Concrete volume:
Tapered sleeve 2.36 Cu. Ft. or .087 Cu. Yd.
Uniform sleeve 1.72 Cu. Ft. or .064 Cu. Yd.
Slab 3.00 Cu. Ft. or .111 Cu. Yd.

BUREAU OF DESIGN SERVICES
DIVISION OF HIGHWAYS
OHIO DEPARTMENT OF TRANSPORTATION

WASTE RECEPTACLE
SLEEVE

DATE
10-16-81