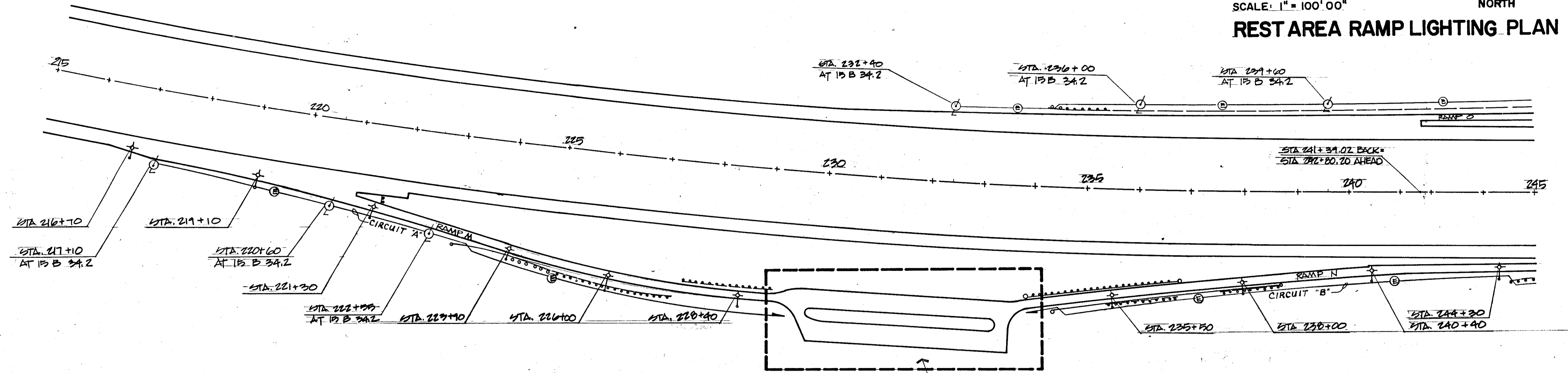


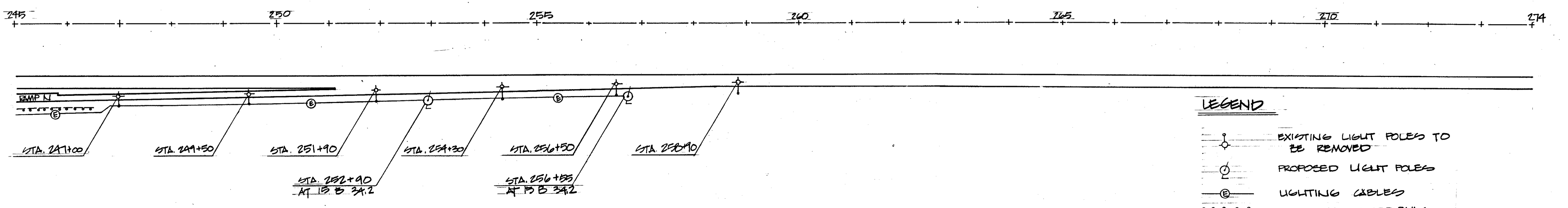
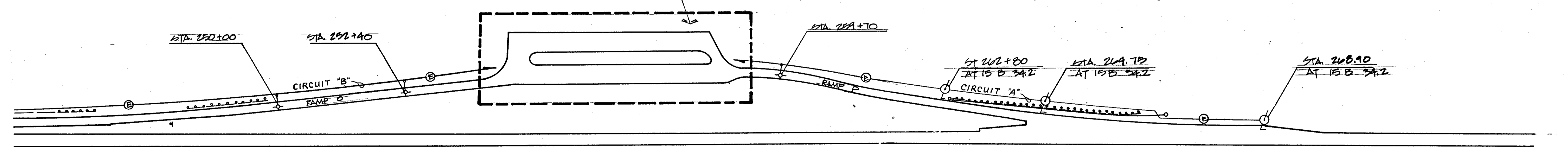
REST AREA RAMP LIGHTING PLAN



NOTES:

- FOR ELECTRICAL QUALITIES SEE SHEET 9A 9 15A.
- AFTER INSTALLATION ALL ELECTRICAL CONDUITS SHALL BE CLEANED AND HAVE A NO. 10 PULL WIRE LEFT IN PLACE FOR USE BY UTILITY CO.

FOR THE LIGHTING PLANS OF THE REST AREAS SEE UTILITY PLANS SHEETS 9 AND 15.



LEGEND

	EXISTING LIGHT POLES TO BE REMOVED
	PROPOSED LIGHT POLES
	LIGHTING CABLES
	EXISTING GUARD RAILS