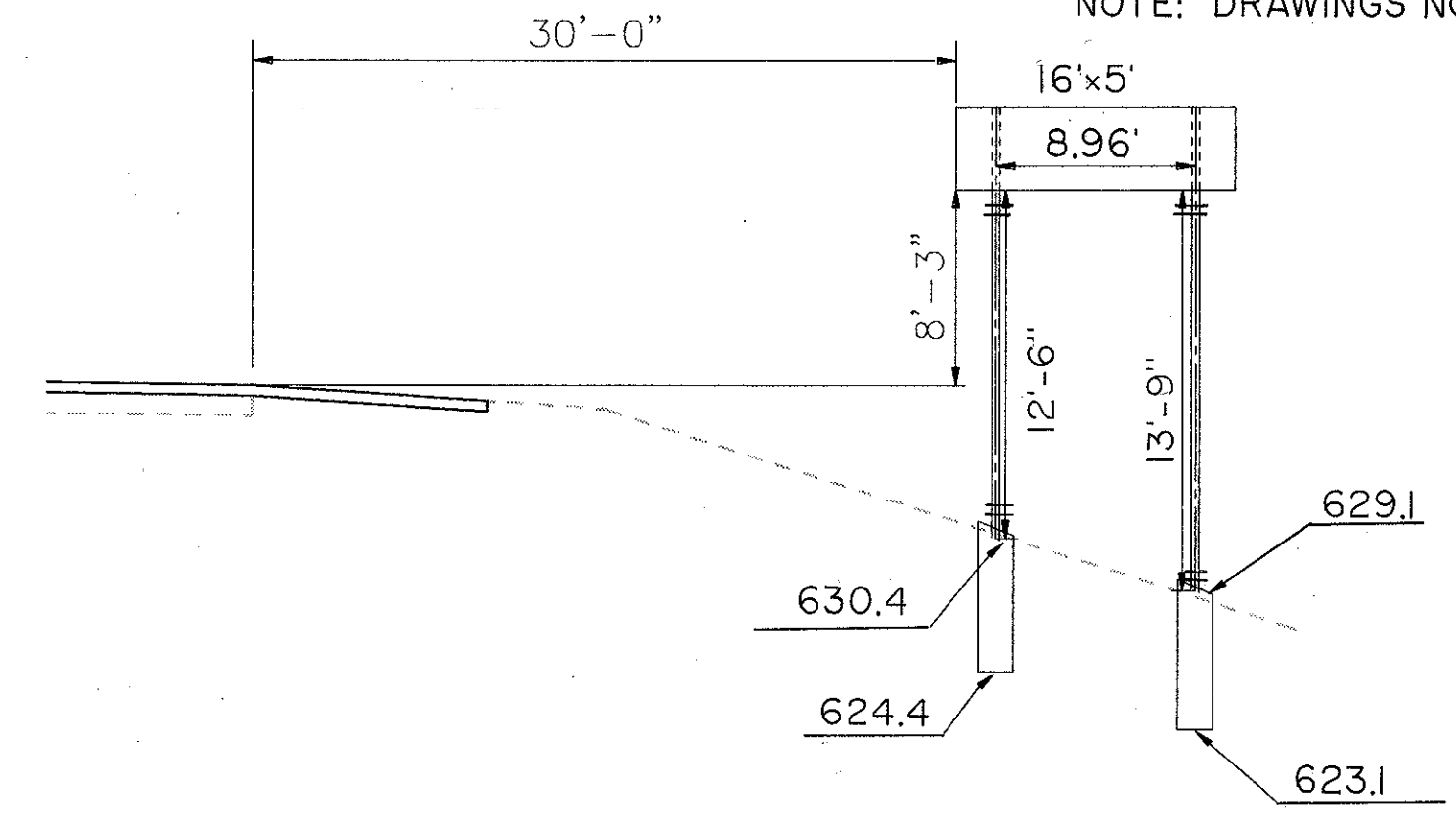


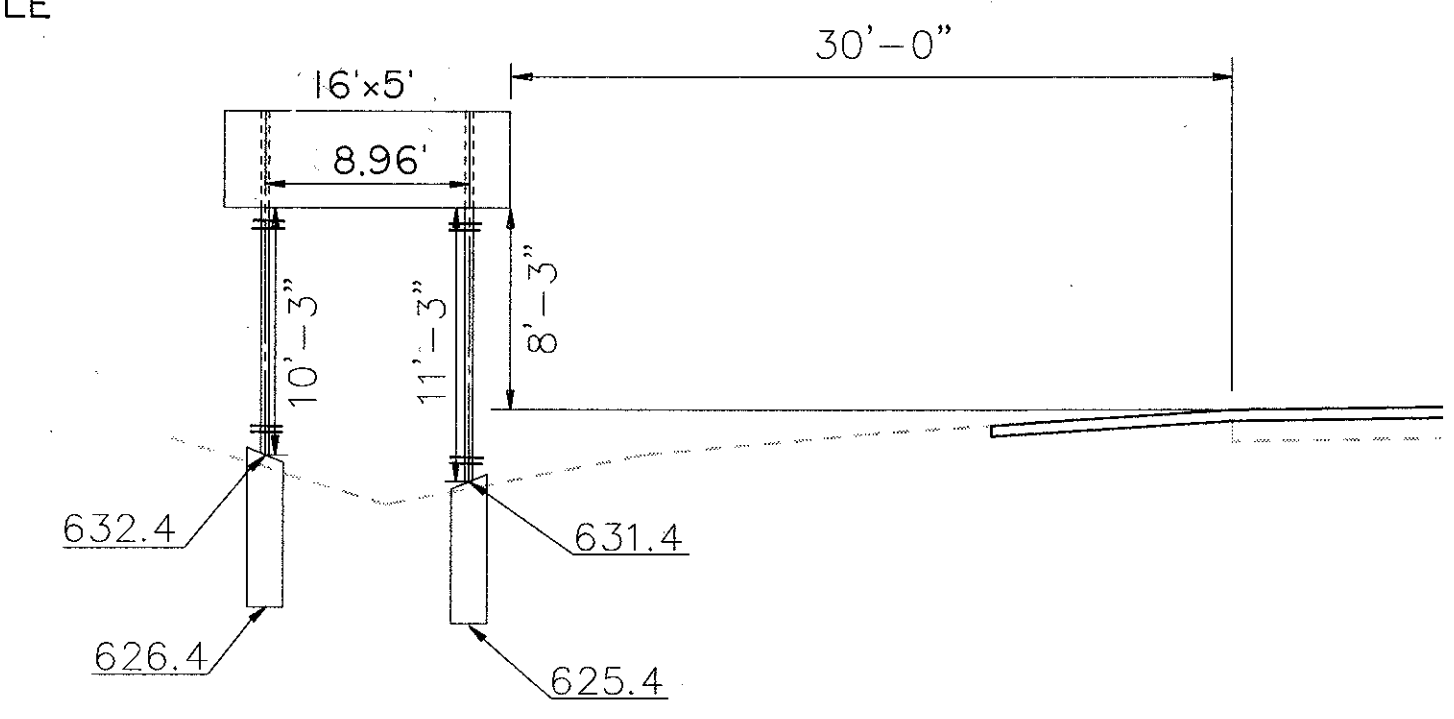
NOTE: PAVEMENT ELEVATIONS SHOWN INCLUDE RESURFACING.

NOTE: ALL SIGN SUPPORT ELEVATIONS ARE SHOWN IN DIRECTION OF VIEWING SIGN FACES.

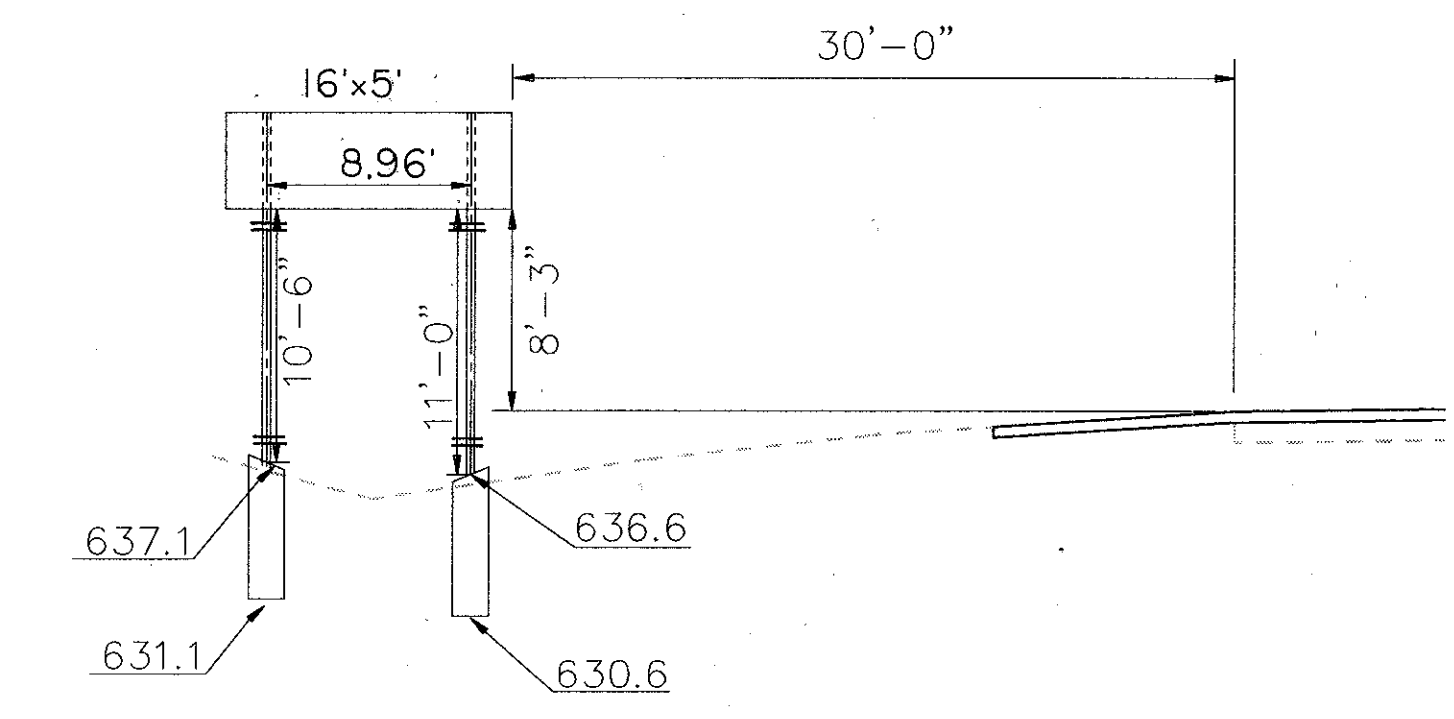
NOTE: DRAWINGS NOT TO SCALE



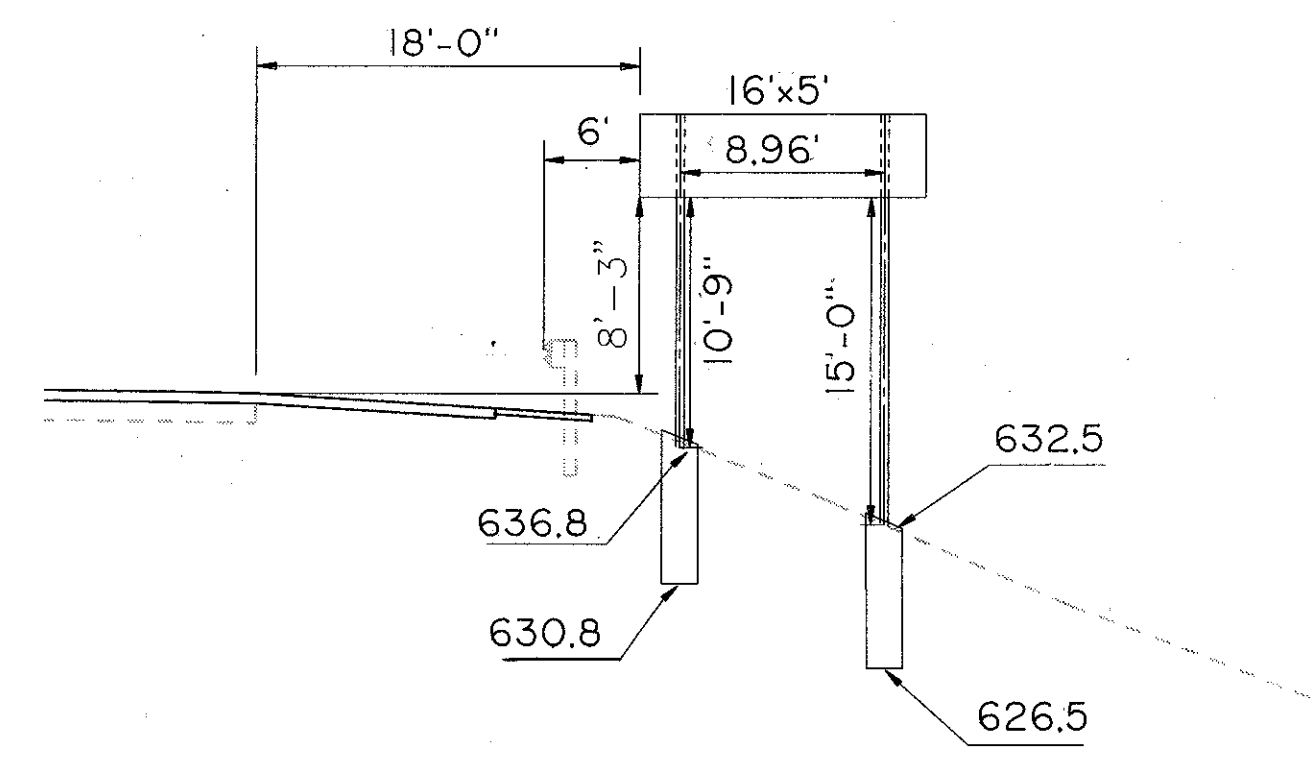
SIGN NO. 417
STA. 276 + 75 EB, I-90
TWO BEAMS (W8x18)
(BREAKAWAY)



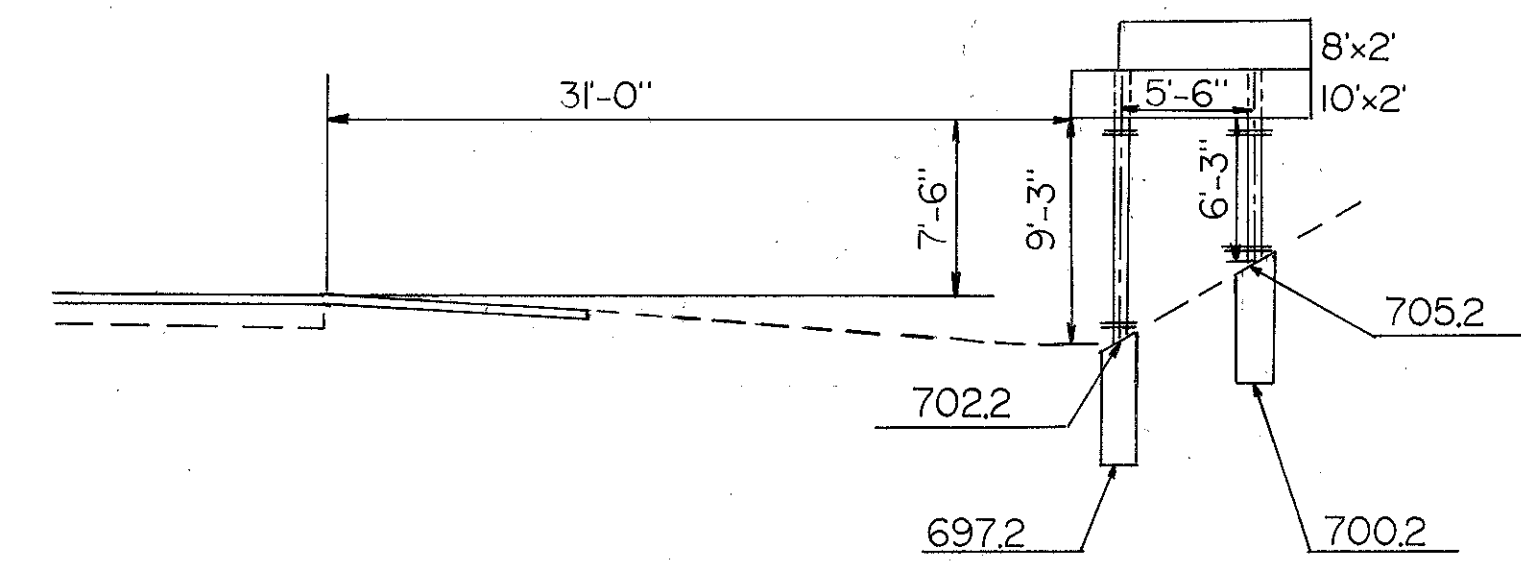
SIGN NO. 419
STA. 276 + 75 EB, I-90
TWO BEAMS (W10x12)
(BREAKAWAY)



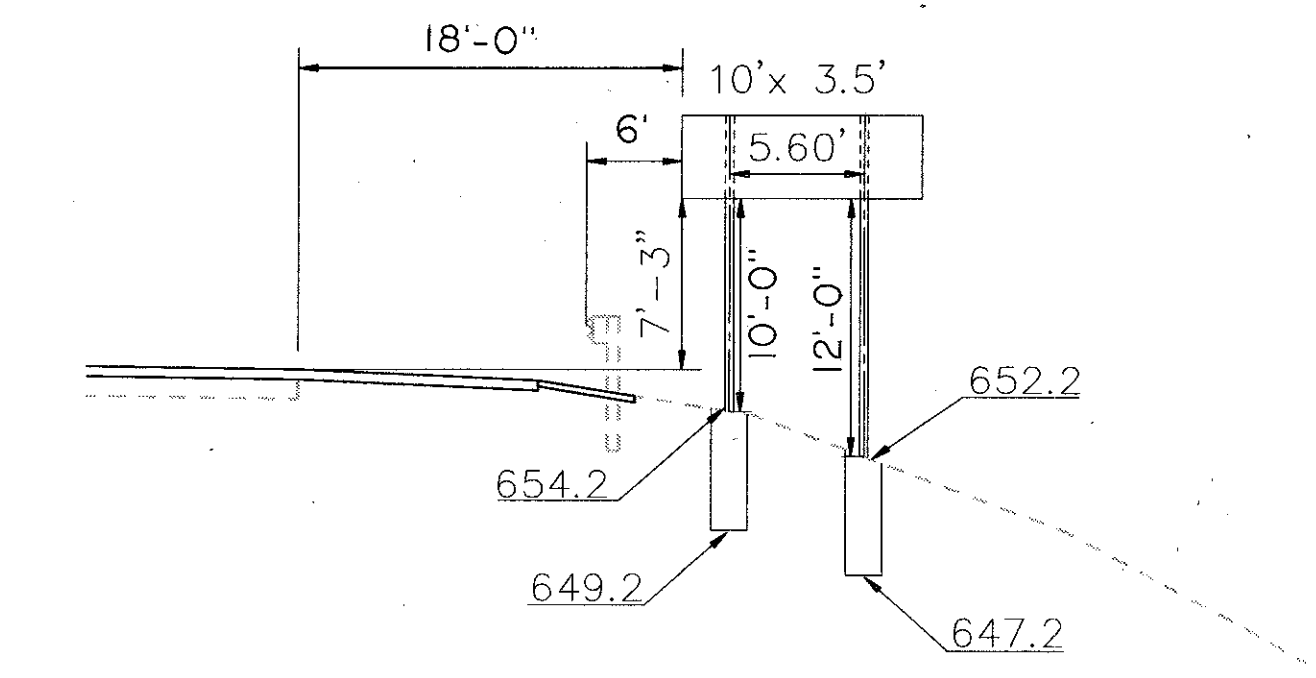
SIGN NO. 420
STA. 287 + 70 EB, I-90
TWO BEAMS (W10x12)
(BREAKAWAY)



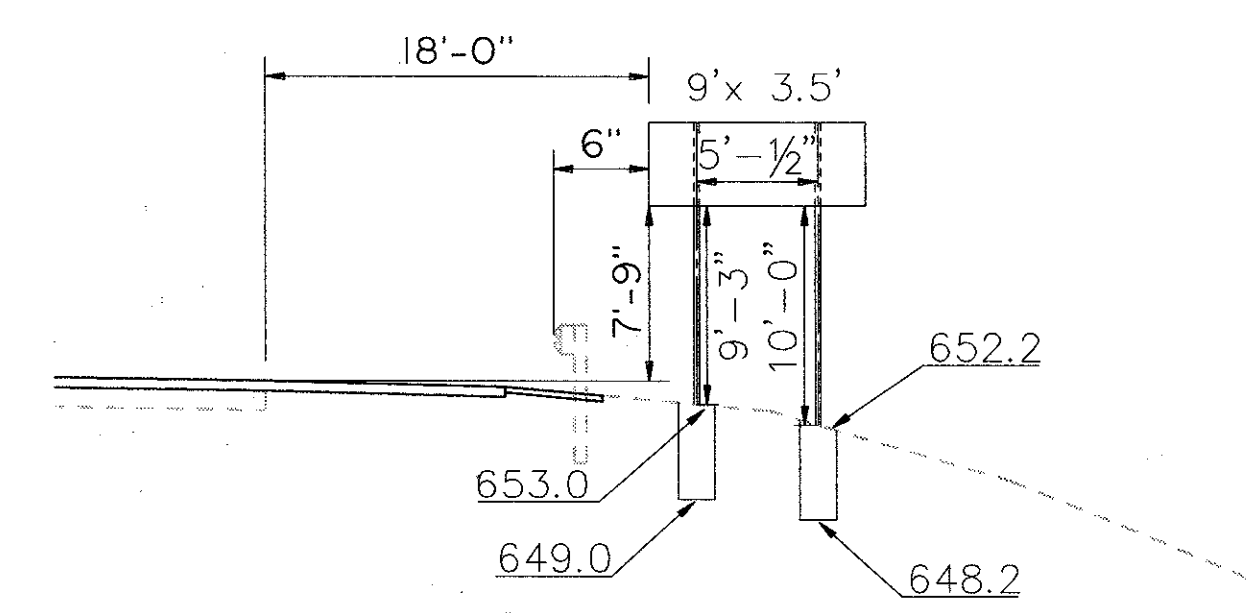
SIGN NO. 421
STA. 287 + 70 EB, I-90
TWO BEAMS (W10x12)



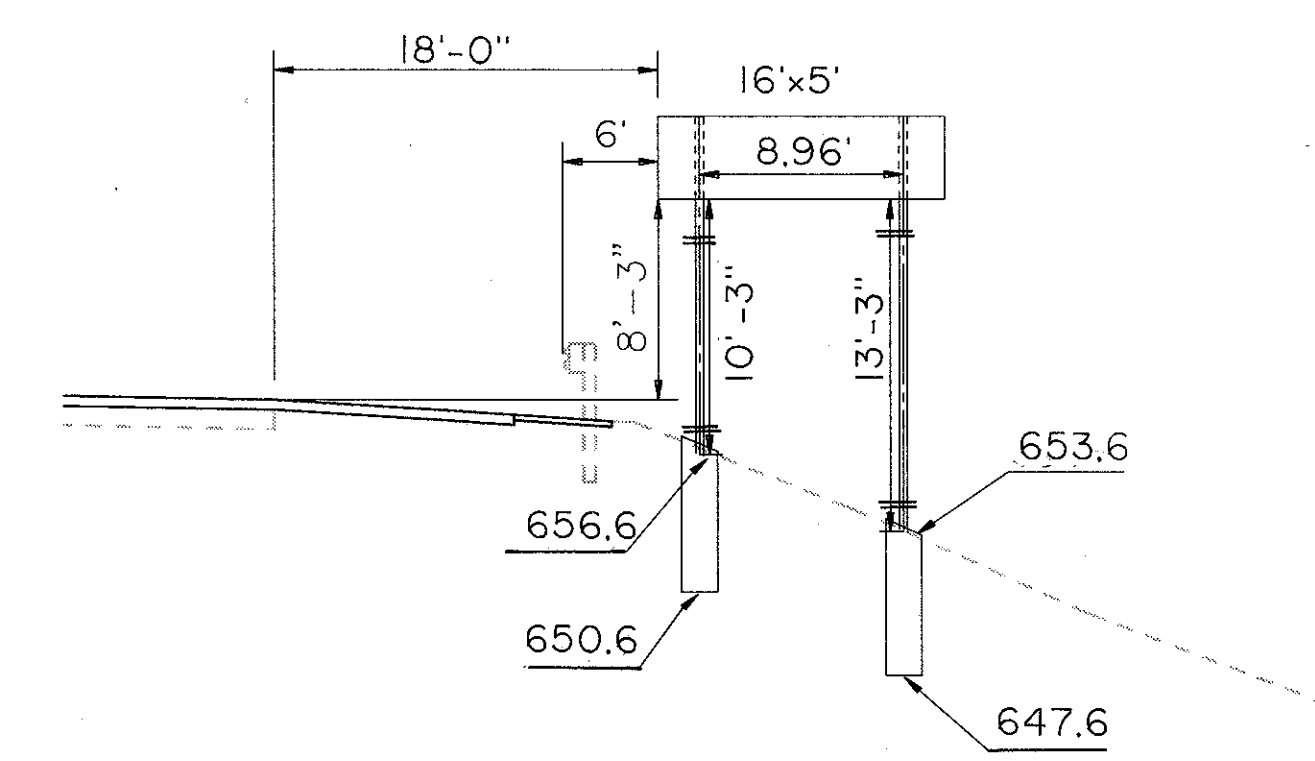
SIGN NO. 370
STA 186+95 W.B., I-90
TWO BEAMS (W6x9)
(BREAKAWAY)



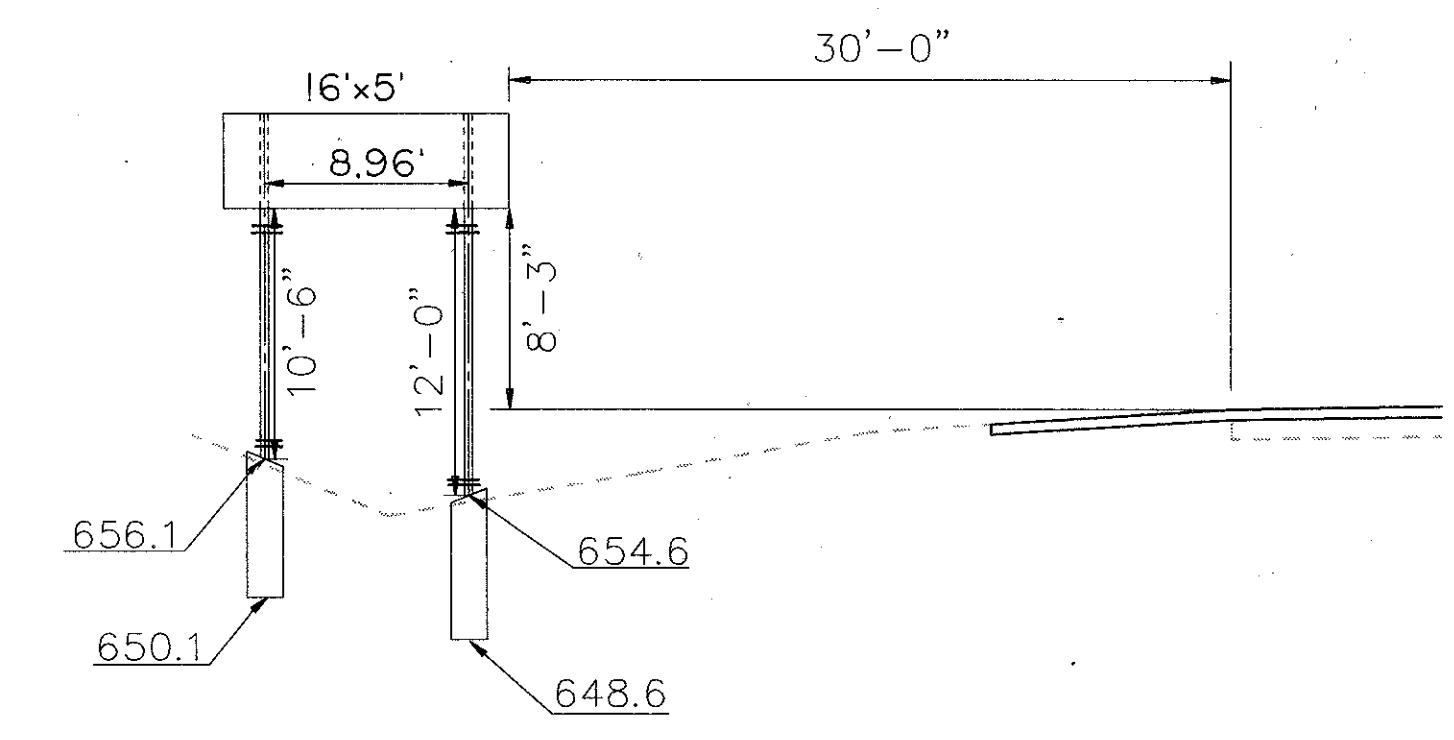
SIGN NO. 426
STA. 297 + 25 EB, I-90
TWO BEAMS (W6x9)



SIGN NO. 432
STA. 296 + 12 WB, I-90
TWO BEAMS (S4x7.7)



SIGN NO. 434
STA. 298 + 25 EB, I-90
TWO BEAMS (W10x12)
(BREAKAWAY)



SIGN NO. 436
STA. 298 + 25 EB, I-90
TWO BEAMS (W10x12)
(BREAKAWAY)

ACAD FILE : TC_ELV_7.DWG