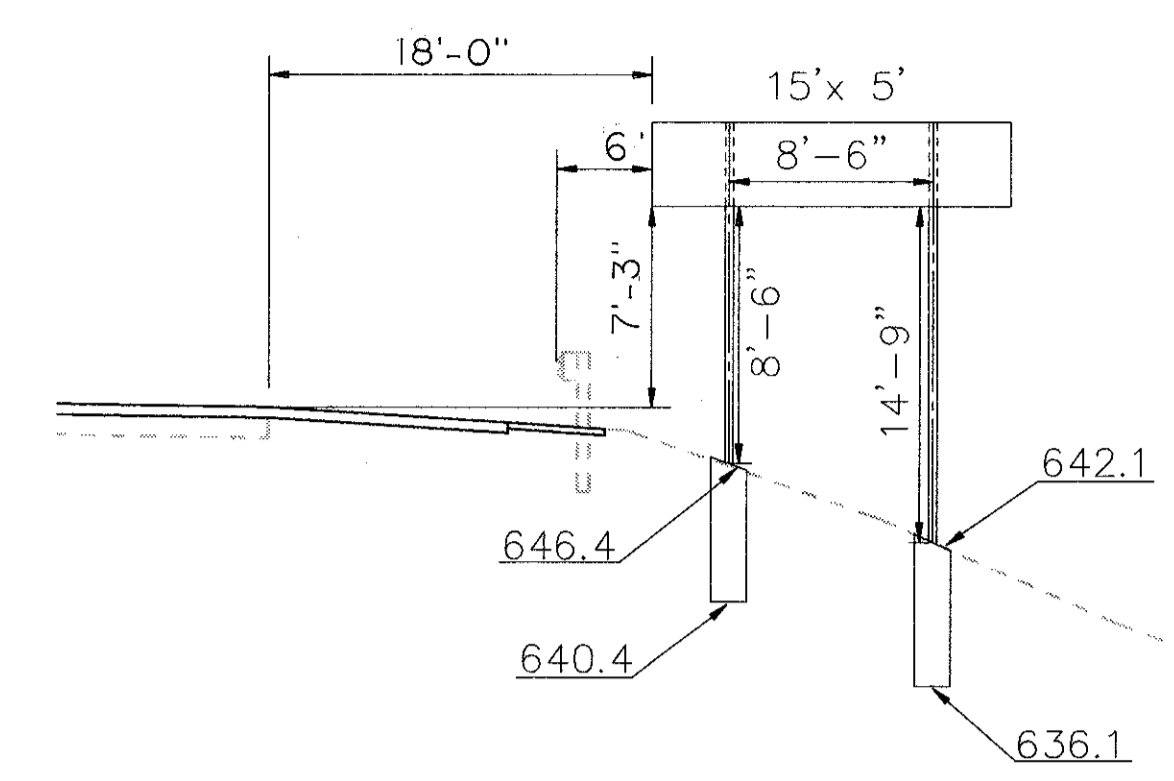
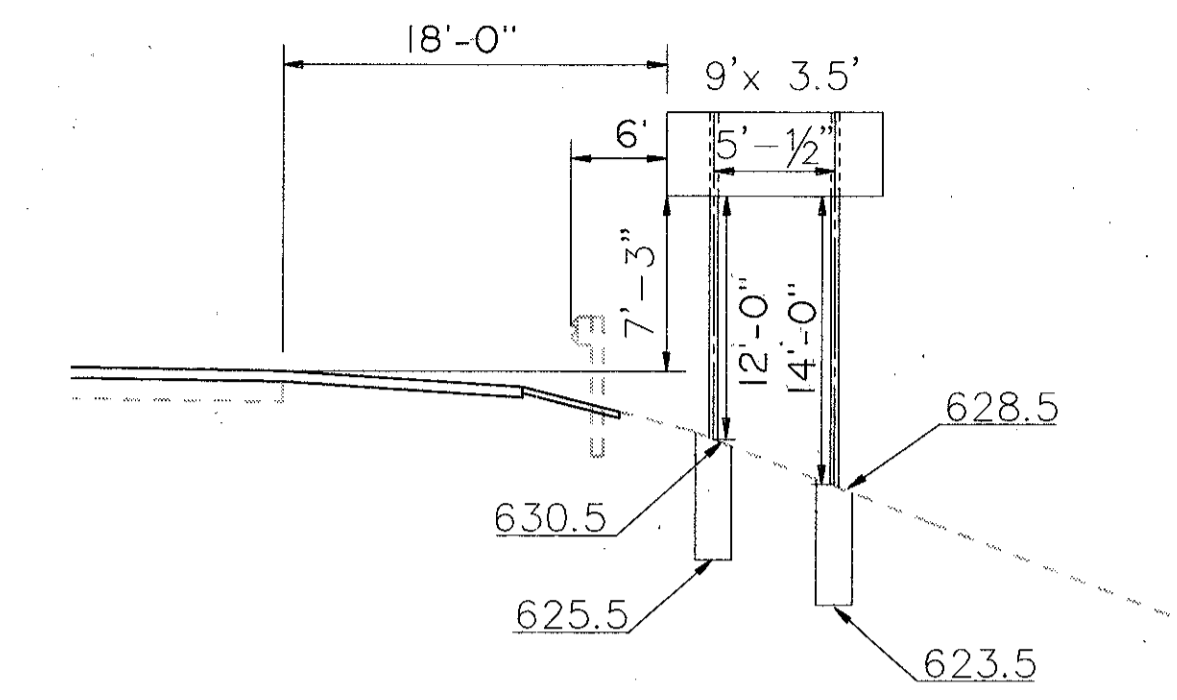


SIGN NO. 365  
STA. 178 + 57 WB, I-90  
TWO BEAMS (S4x7.7)  
(BREAKAWAY)



SIGN NO. 385  
STA. 229 + 03 EB, I-90  
TWO BEAMS (W8x18 )

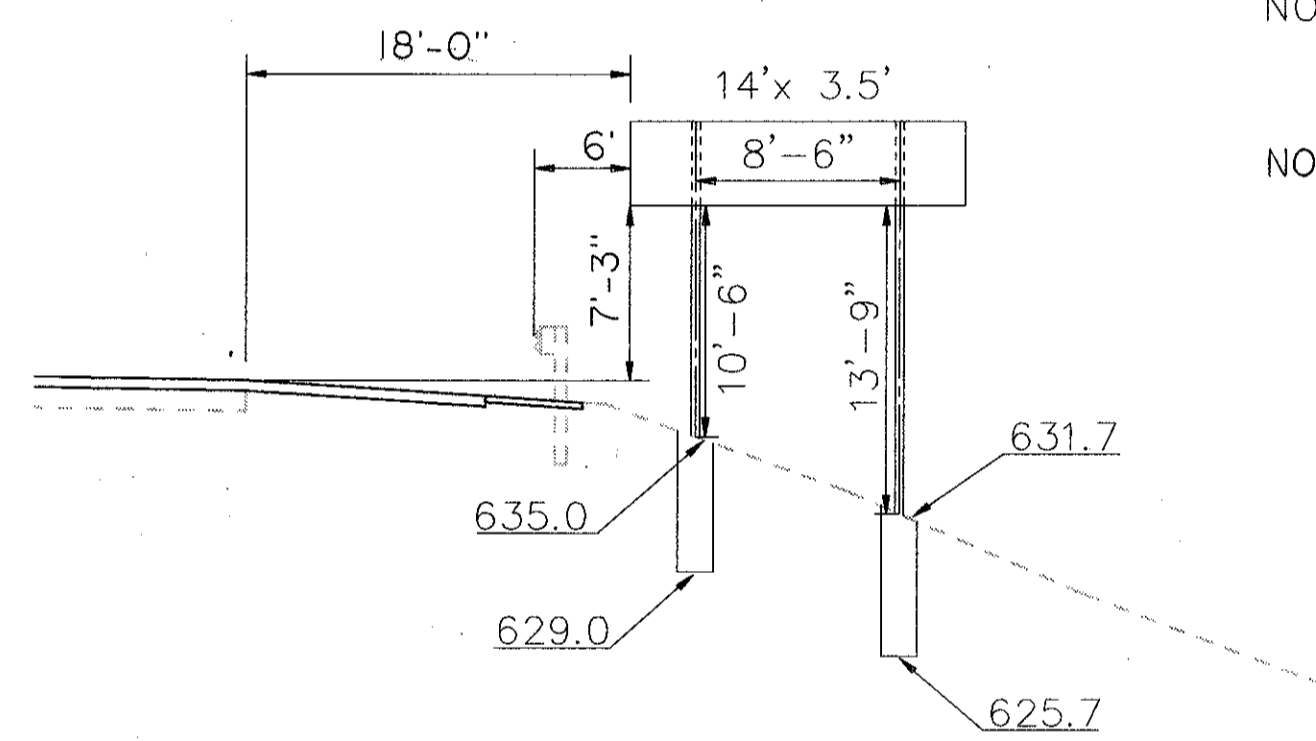


SIGN NO. 393  
STA. 243 + 25 EB, I-90  
TWO BEAMS (W6x9)

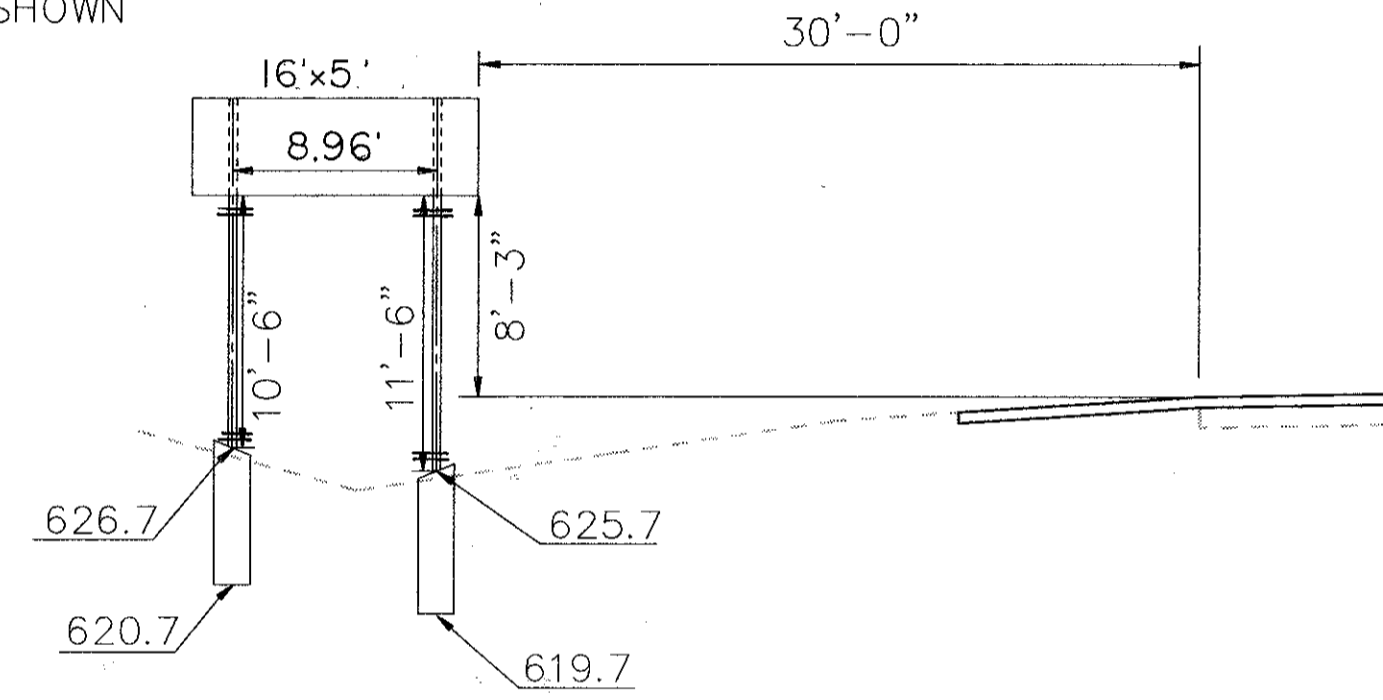
NOTE: PAVEMENT ELEVATIONS SHOWN INCLUDE RESURFACING.

NOTE: ALL SIGN SUPPORT ELEVATIONS ARE SHOWN IN DIRECTION OF VIEWING SIGN FACES.

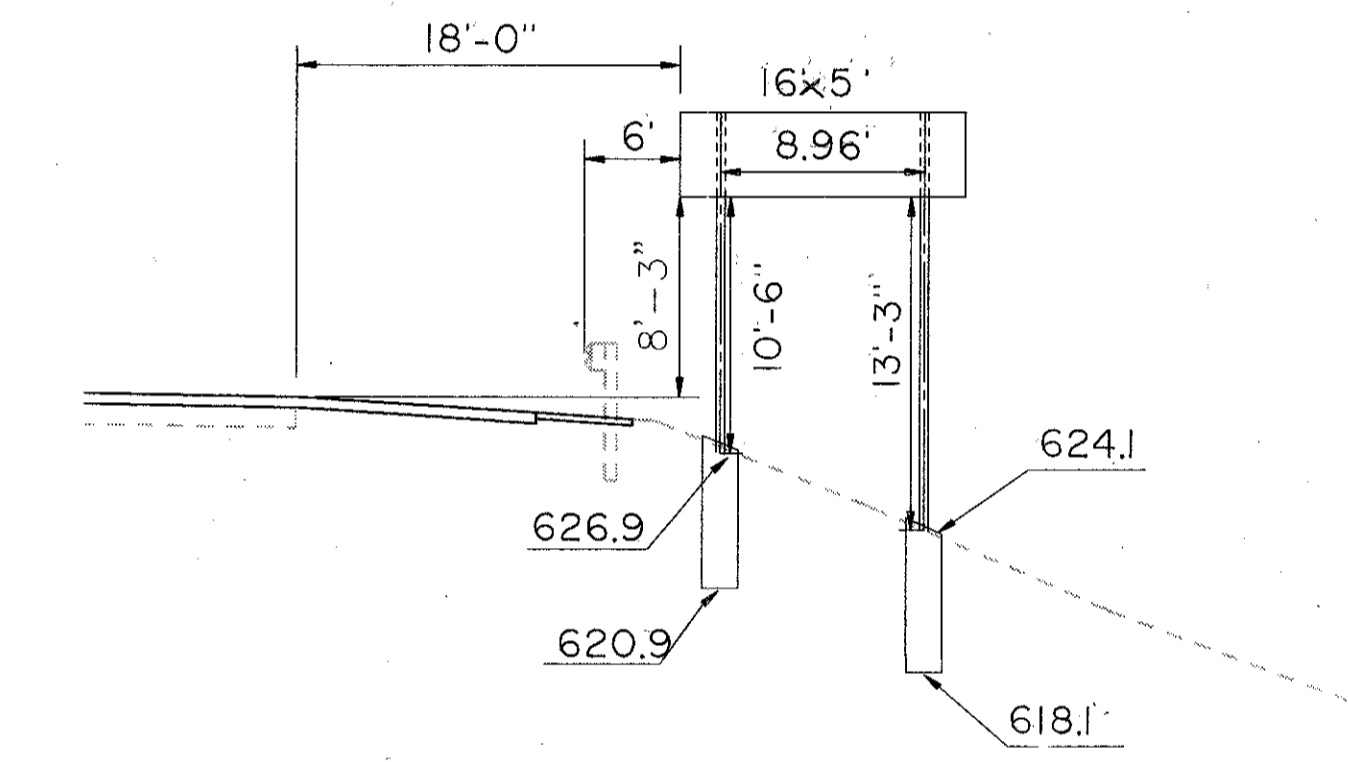
NOTE: DRAWINGS NOT TO SCALE



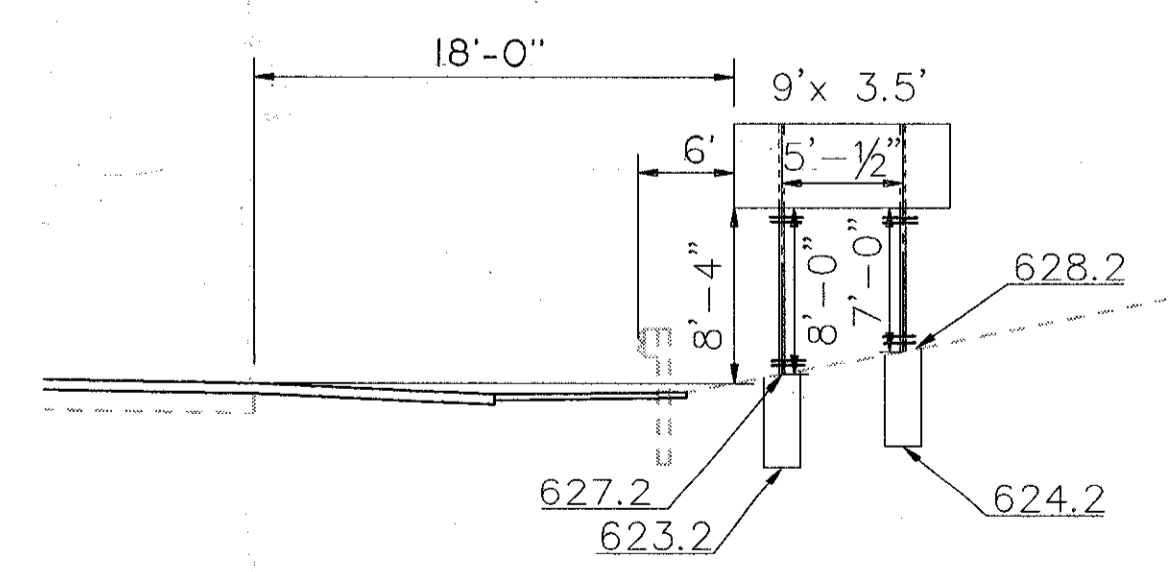
SIGN NO. 394  
STA. 243 + 25 WB, I-90  
TWO BEAMS (W10x12)



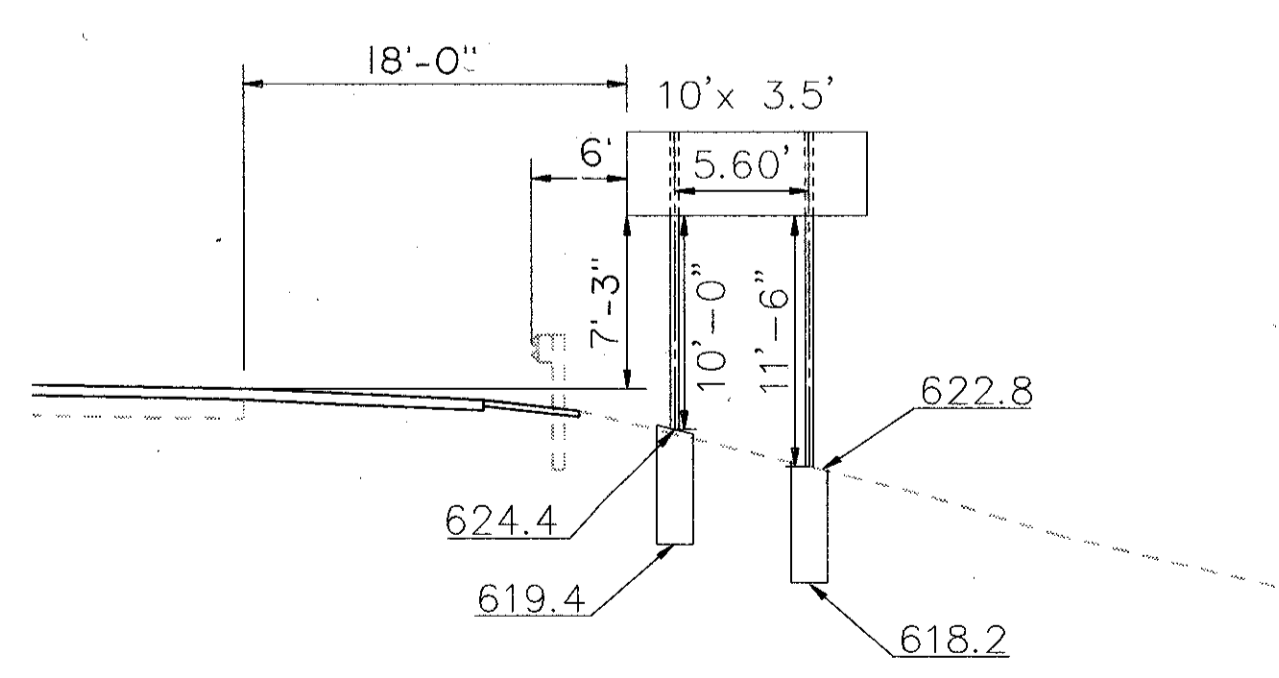
SIGN NO. 396  
STA. 248 + 10 EB, I-90  
TWO BEAMS (W10x12)  
(BREAKAWAY)



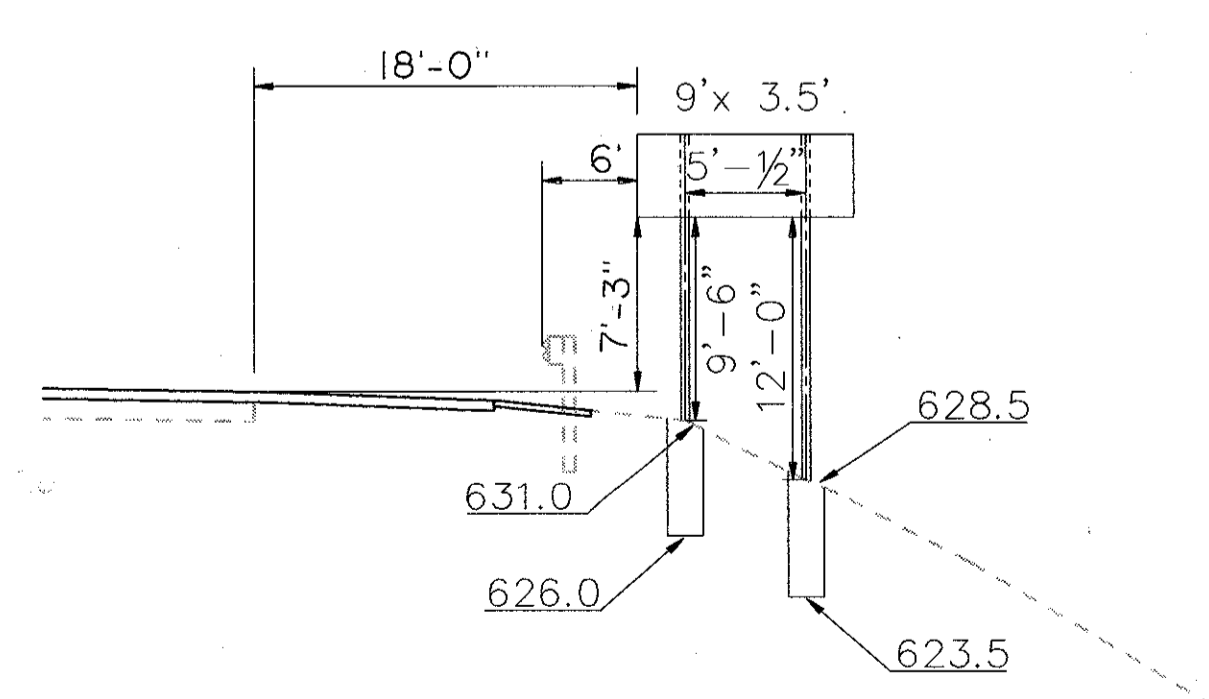
SIGN NO. 397  
STA. 248 + 10 EB, I-90  
TWO BEAMS (W8x18 )



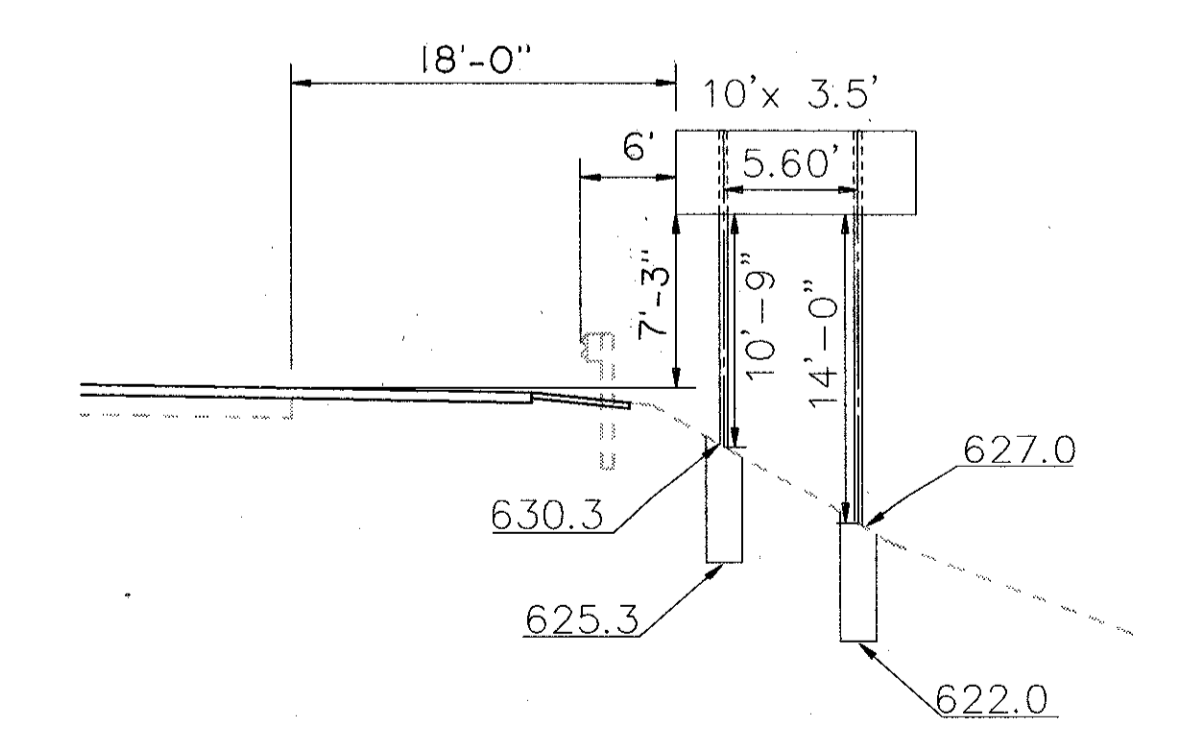
SIGN NO. 398  
STA. 252 + 17 WB, I-90  
TWO BEAMS (S4x7.7)  
(BREAKAWAY)



SIGN NO. 399  
STA. 252 + 17 EB, I-90  
TWO BEAMS (W6x9)



SIGN NO. 404  
STA. 272 + 05 EB, I-90  
TWO BEAMS (W6x9)



SIGN NO. 414  
STA. 273 + 45 WB, I-90  
TWO BEAMS (W6x9)

ACAD FILE : TC\_ELV\_6.DWG