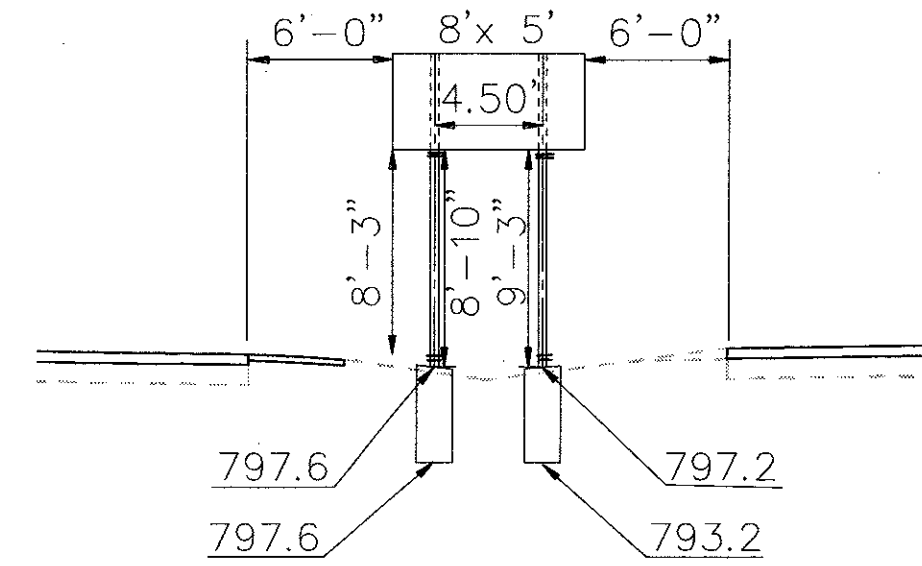
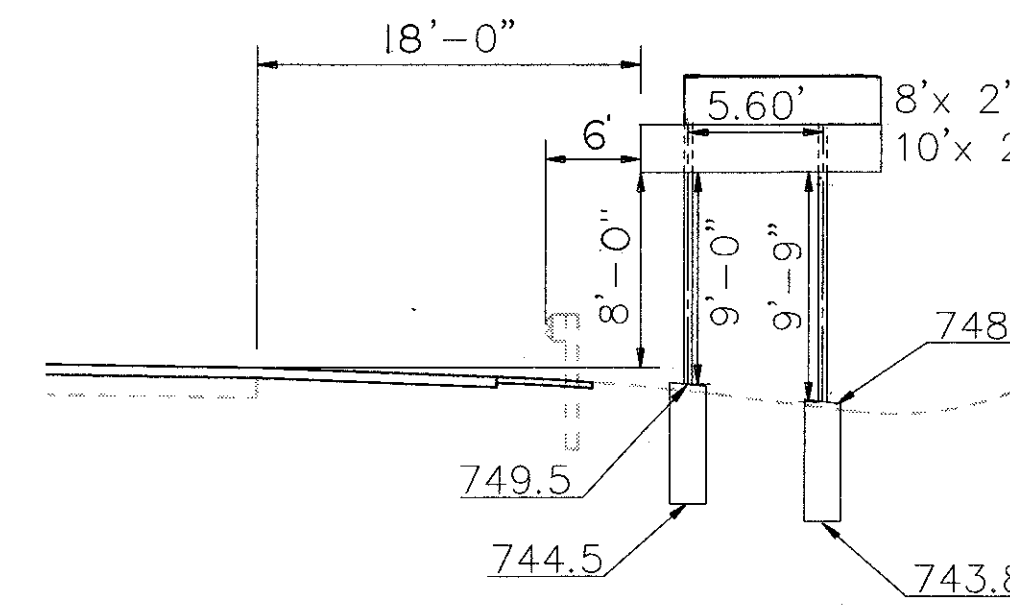


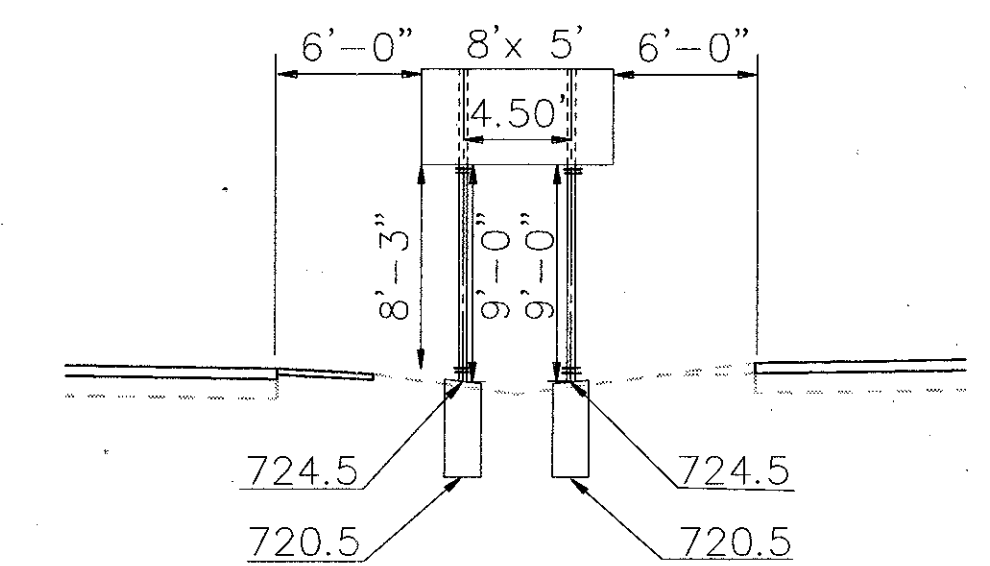
SIGN NO. 279
STA. 27 + 02 EB, I-90
TWO BEAMS (S4x7.7)
(BREAKAWAY)



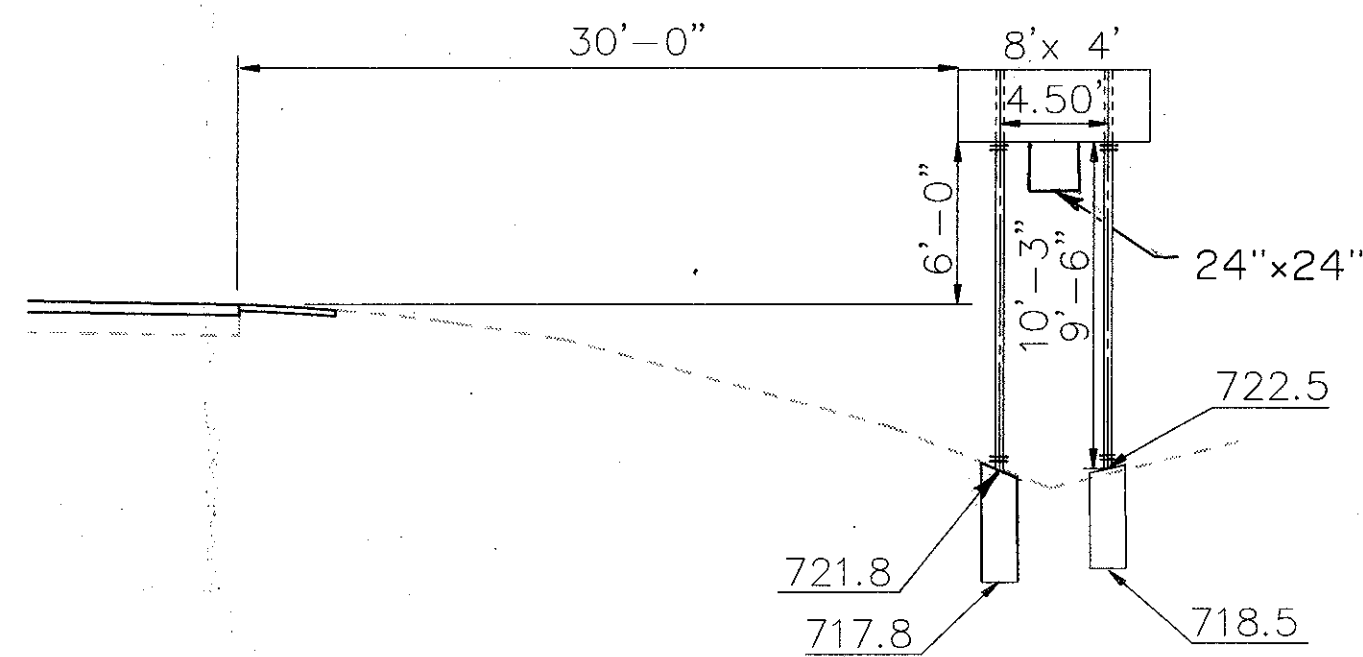
SIGN NO. 283
STA. 89 + 54 WB, I-90
TWO BEAMS (S4x7.7)
(BREAKAWAY)



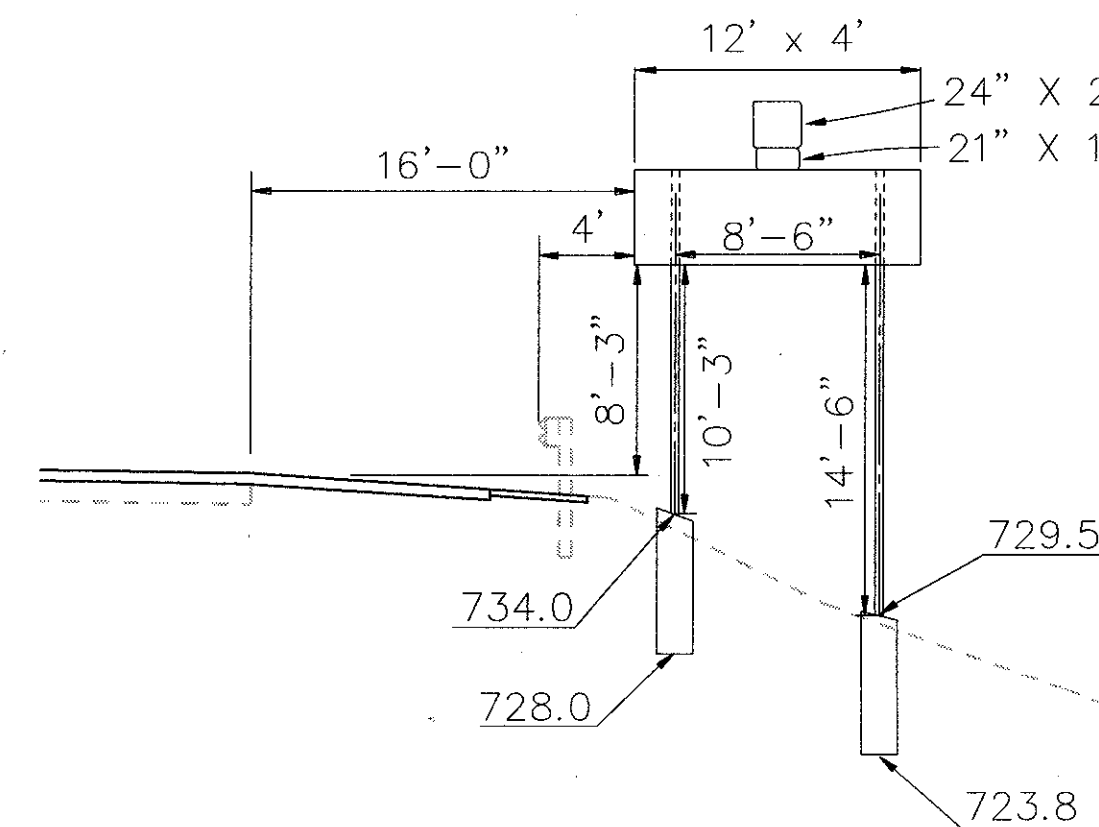
SIGN NO. 288
STA. 108 + 00 EB, I-90
TWO BEAMS (W6x9)



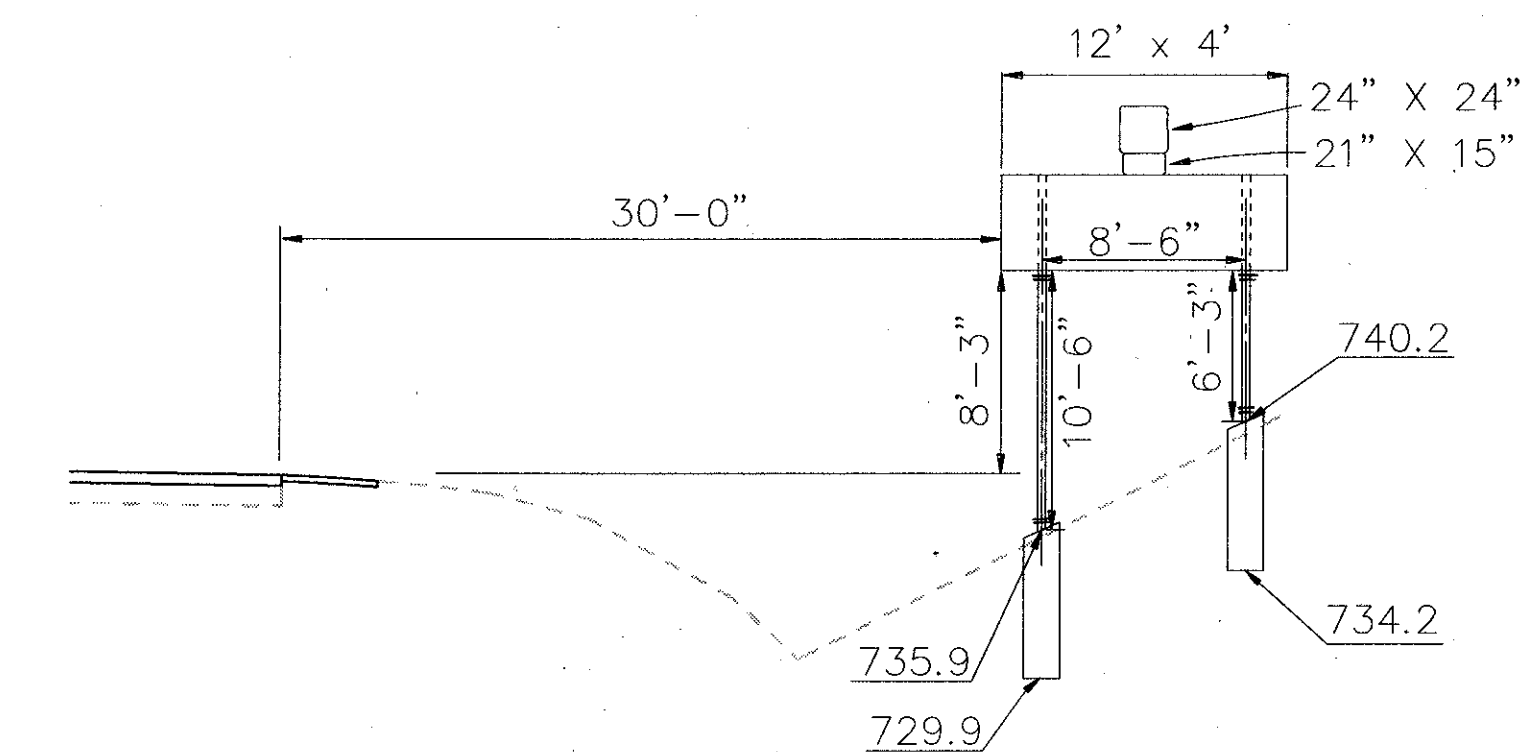
SIGN NO. 295
STA. 124 + 19 EB, I-90
TWO BEAMS (S4x7.7)
(BREAKAWAY)



SIGN NO. 296
STA. 126 + 16 EB, I-90
TWO BEAMS (S4x7.7)
(BREAKAWAY)

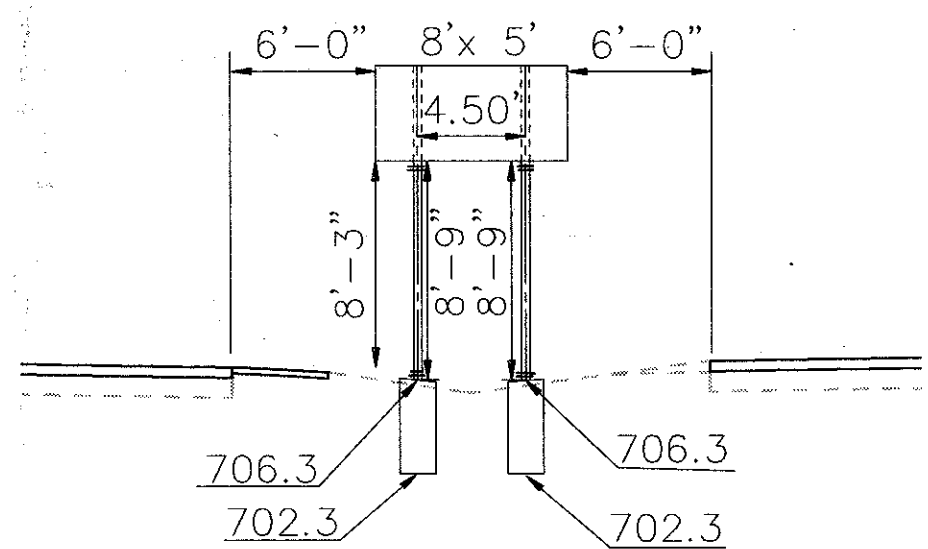


SIGN NO. 314
STA. 13 + 50, *RAMP "G-H"
TWO BEAMS (W10 X 12)

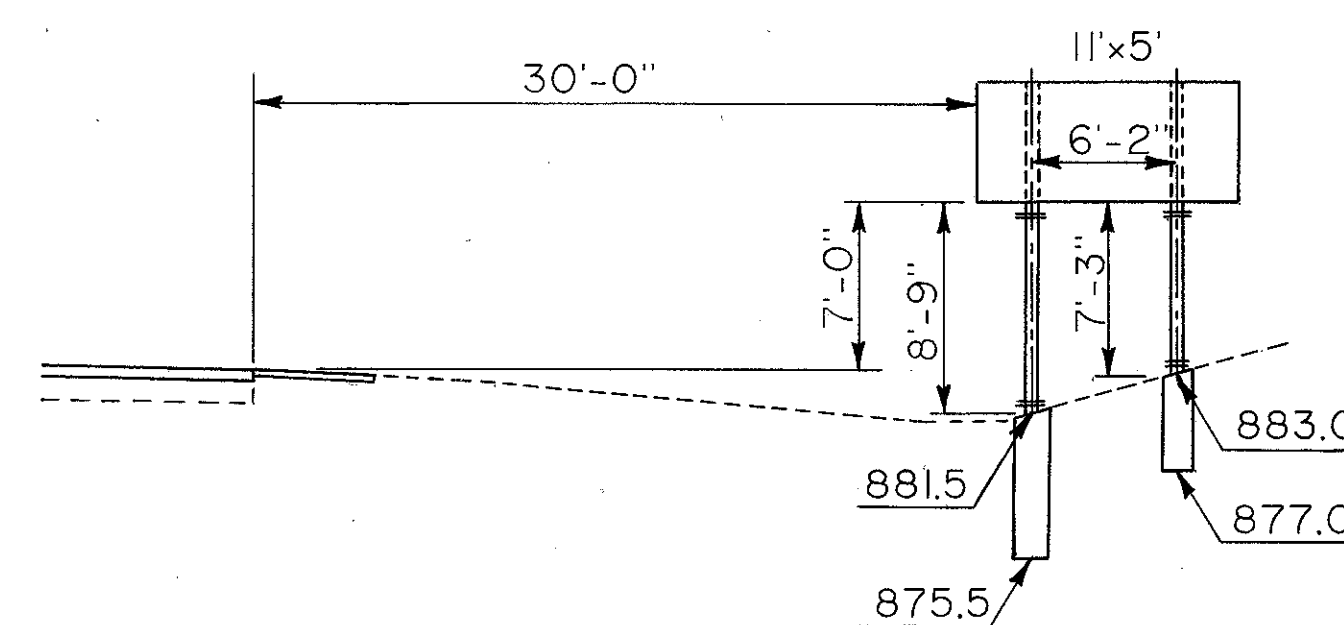


SIGN NO. 336
STA. 12 + 80 EB, RAMP "F"
TWO BEAMS (W10 X 12)
(BREAKAWAY)

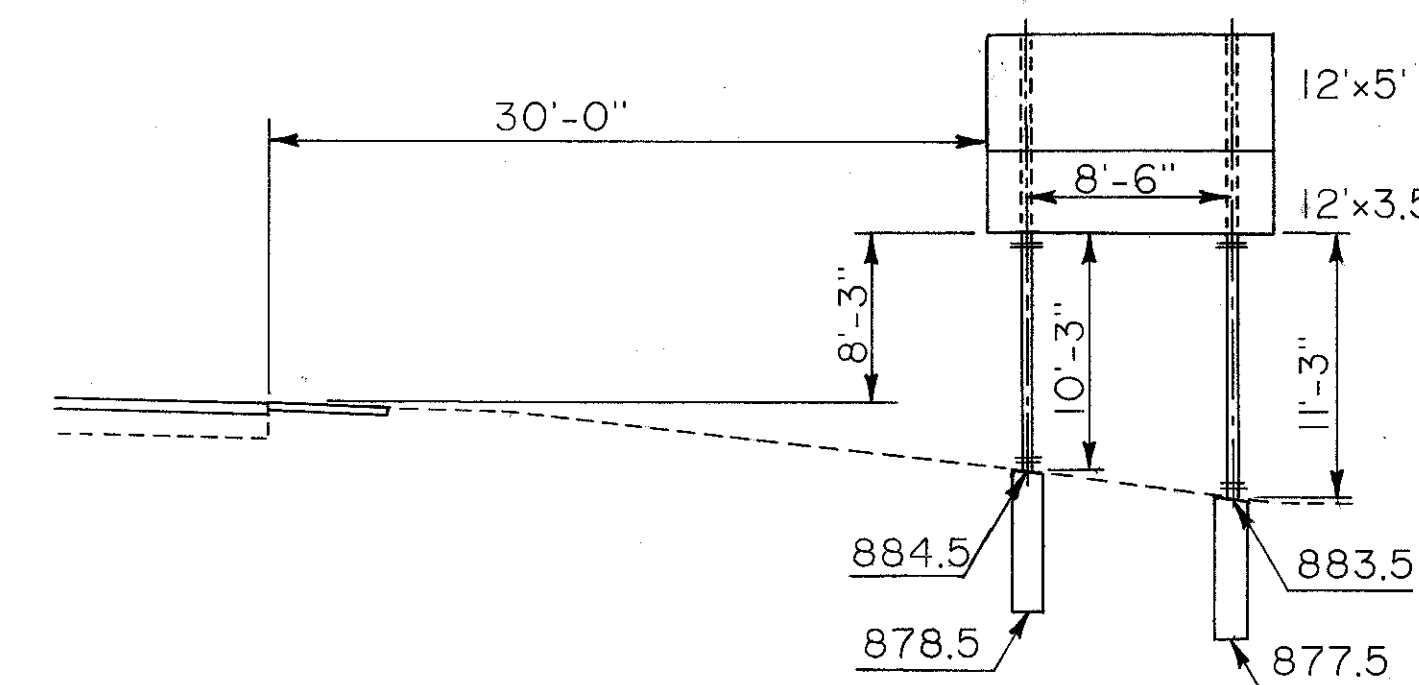
NOTE: PAVEMENT ELEVATIONS SHOWN INCLUDE RESURFACING.
NOTE: ALL SIGN SUPPORT ELEVATIONS ARE SHOWN IN DIRECTION OF VIEWING SIGN FACES.
NOTE: DRAWINGS NOT TO SCALE.



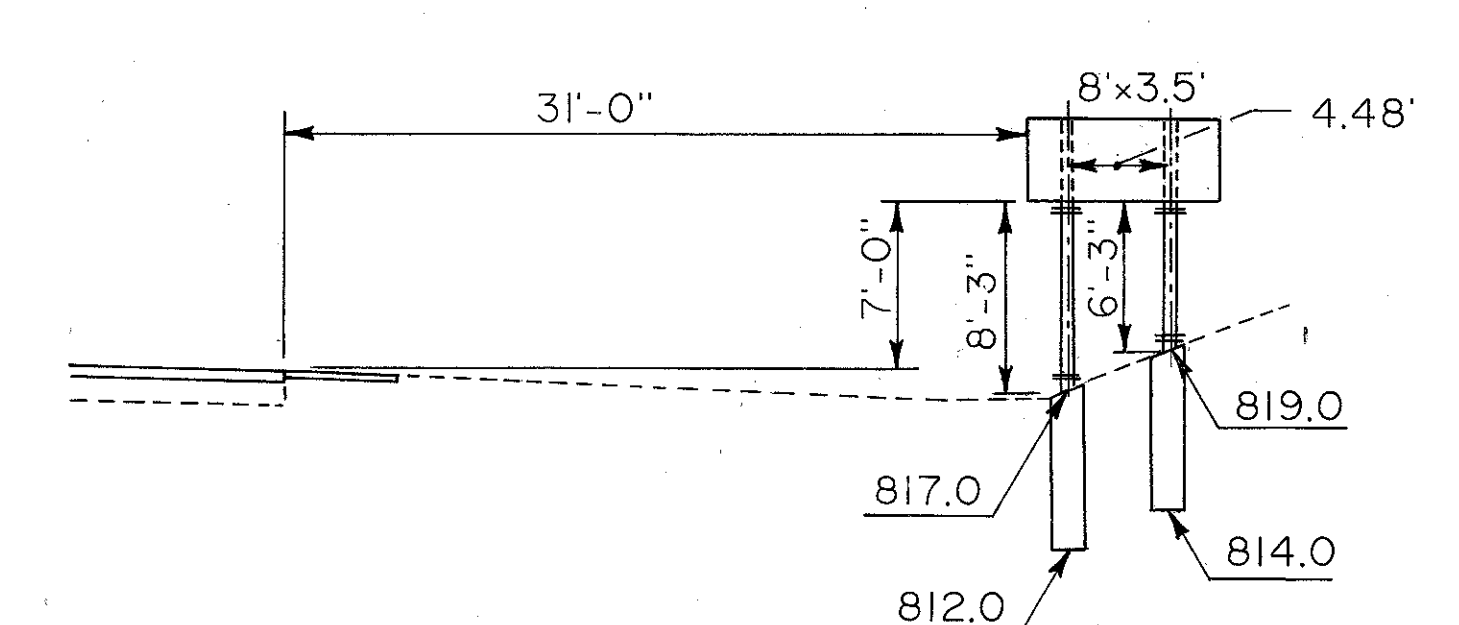
SIGN NO. 339
STA. 141 + 16 EB, I-90
TWO BEAMS (S4x7.7)
(BREAKAWAY)



SIGN NO. 203
STA. 10+32 NB, I-271
TWO BEAMS (W10x12)
(BREAKAWAY)



SIGN NO. 202
STA. 00+06 SB, I-271
TWO BEAMS (W8x18)
(BREAKAWAY)



SIGN NO. 274
STA. 10+00 WB, I-90
TWO BEAMS (S4x7.7)
(BREAKAWAY)