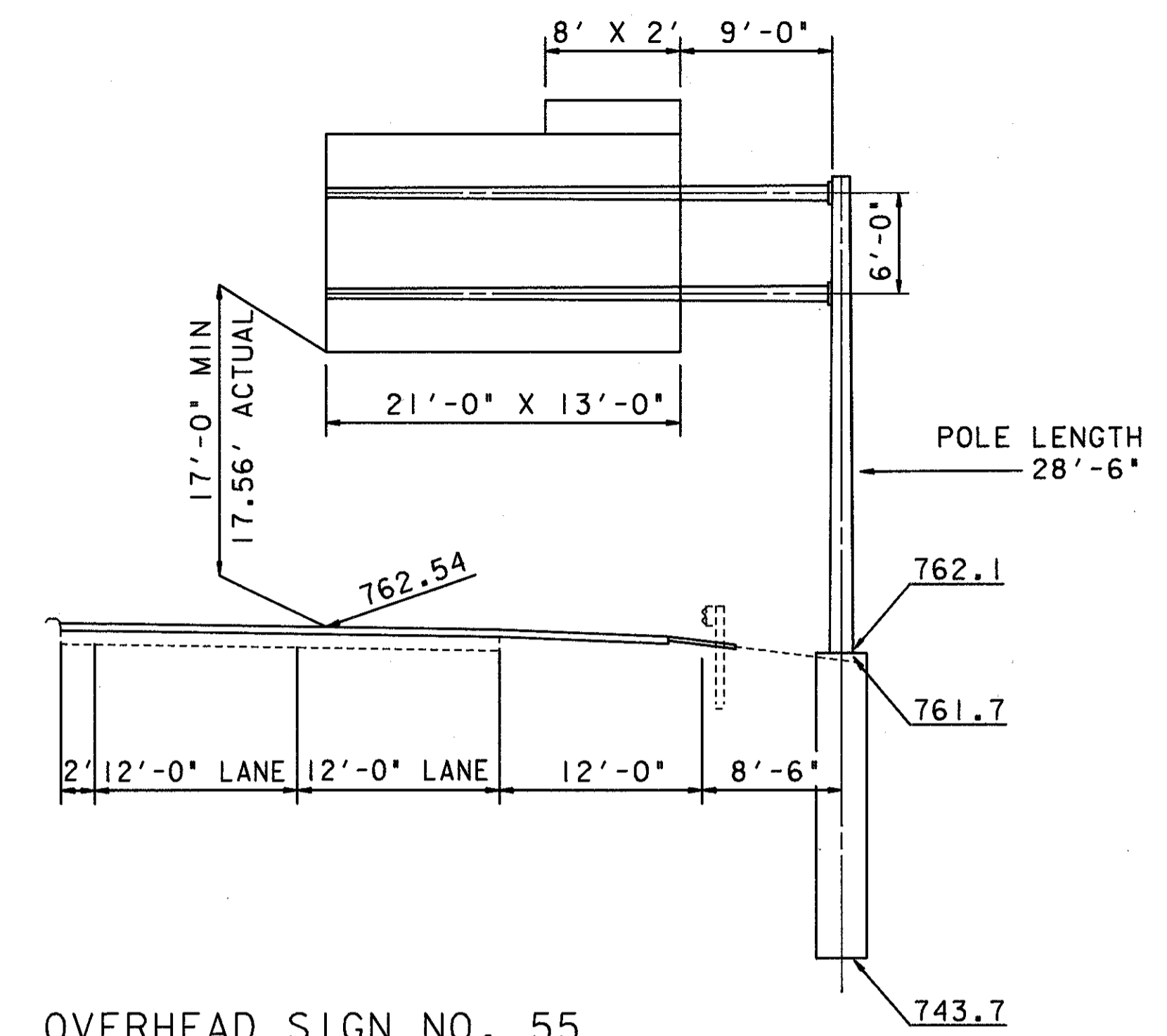
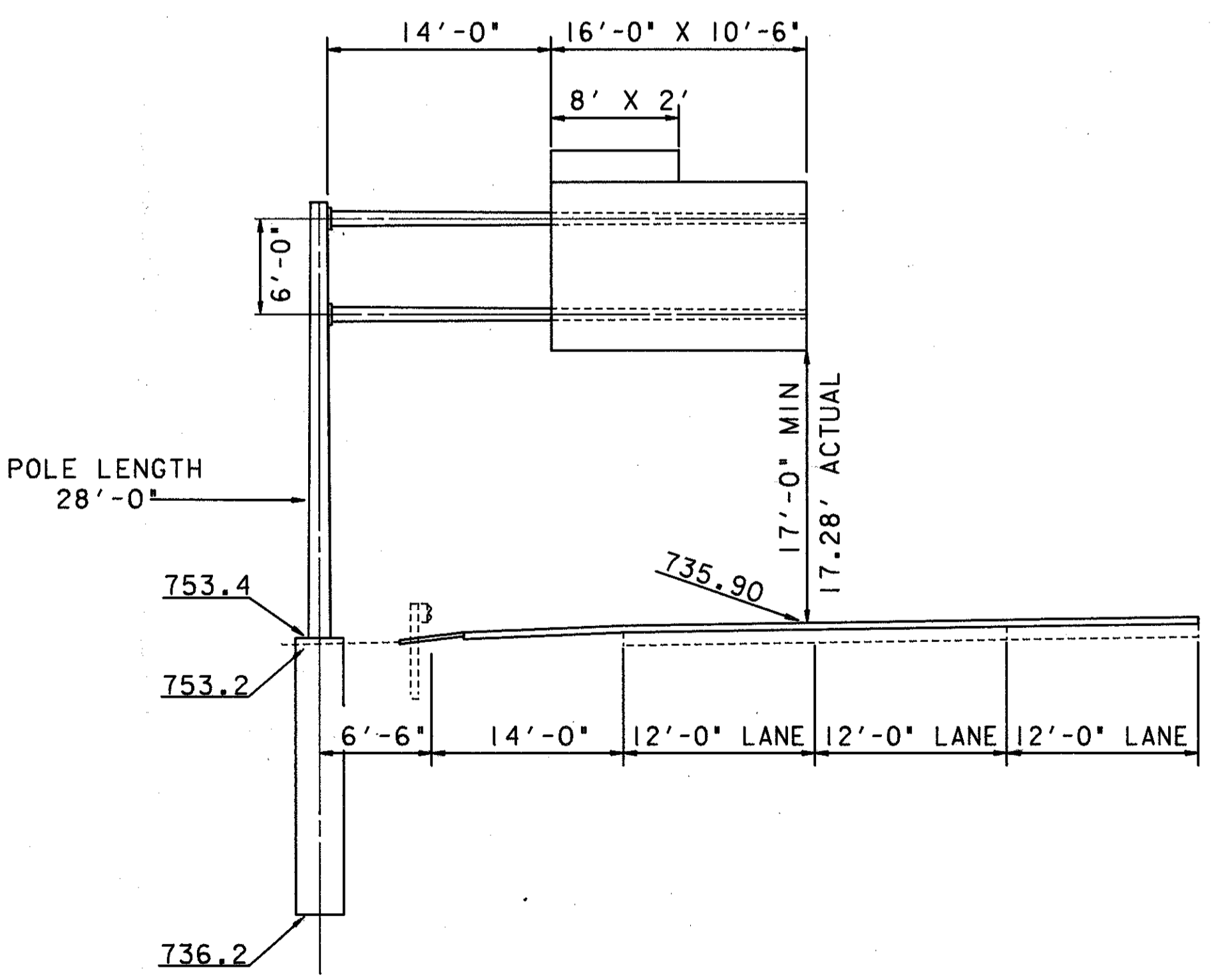


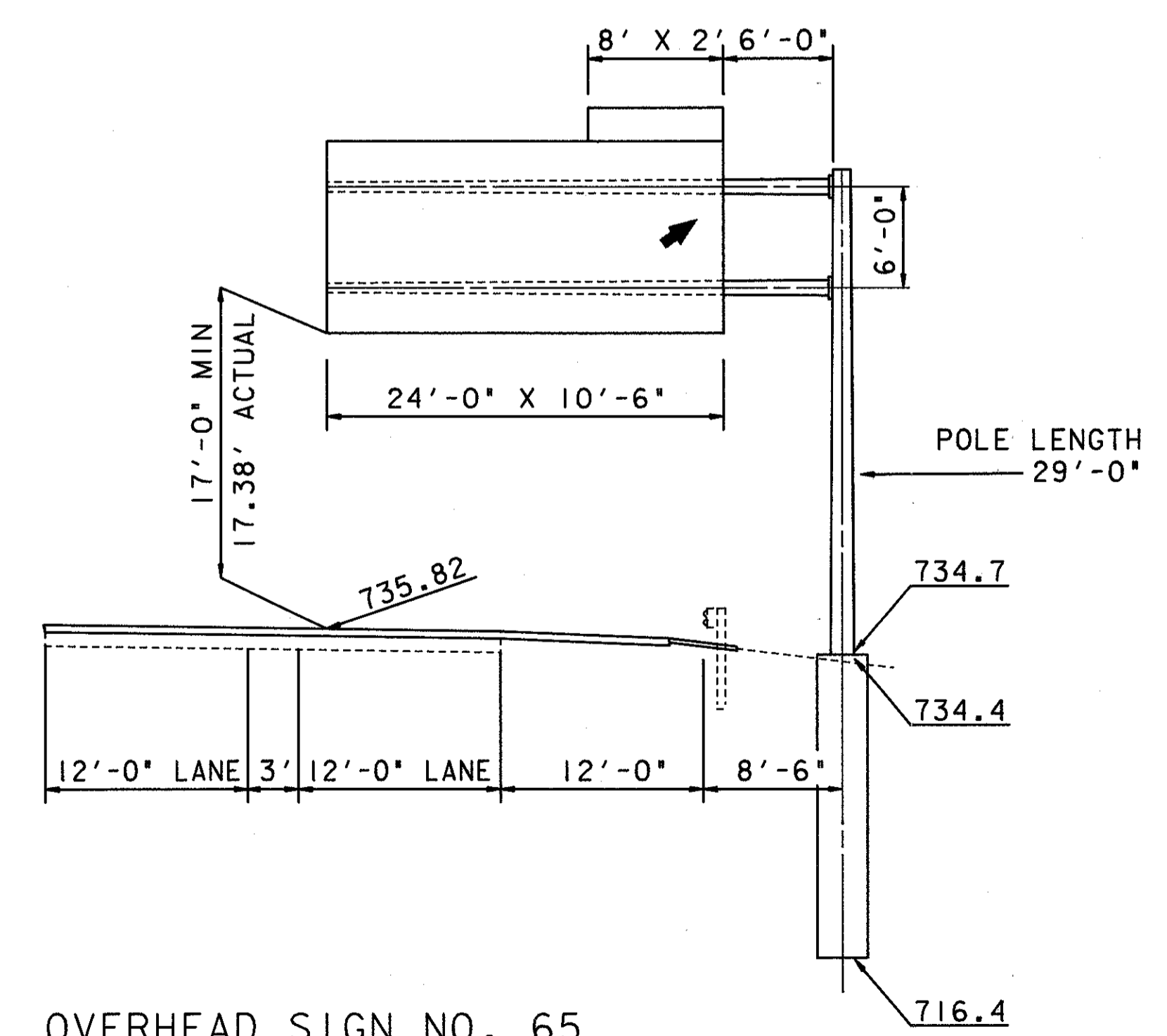
OVERHEAD SIGN NO. 50  
 STA. 102 + 90 WB, 1-90  
 TYPE 7.65, DESIGN NO. 8  
 77'-0" SPAN



OVERHEAD SIGN NO. 55  
 STA. 104 + 55 EB, 1-90  
 TYPE 12.30, DESIGN NO. 12  
 30'-0" ARMS



OVERHEAD SIGN NO. 60  
 STA. 111 + 80 WB, 1-90  
 TYPE 12.30, DESIGN NO. 10  
 30'-0" ARMS



OVERHEAD SIGN NO. 65  
 STA. 118 + 70 EB, 1-90  
 TYPE 12.30, DESIGN NO. 12  
 30'-0" ARMS

NOTE: ELEVATION VIEWS ARE NOT TO SCALE  
 NOTE: PAVEMENT ELEVATIONS SHOWN INCLUDE RESURFACING.  
 NOTE: ALL SIGN SUPPORT ELEVATIONS ARE SHOWN IN DIRECTION OF VIEWING SIGN FACES.

PLOT SUBMITTED: 30-SEP-1992 09:36

filename.dgn

PLOTTED BY: BANASZAK  
 PLOTTED FROM: c:\dgn\pid5772\5772tec.dgn