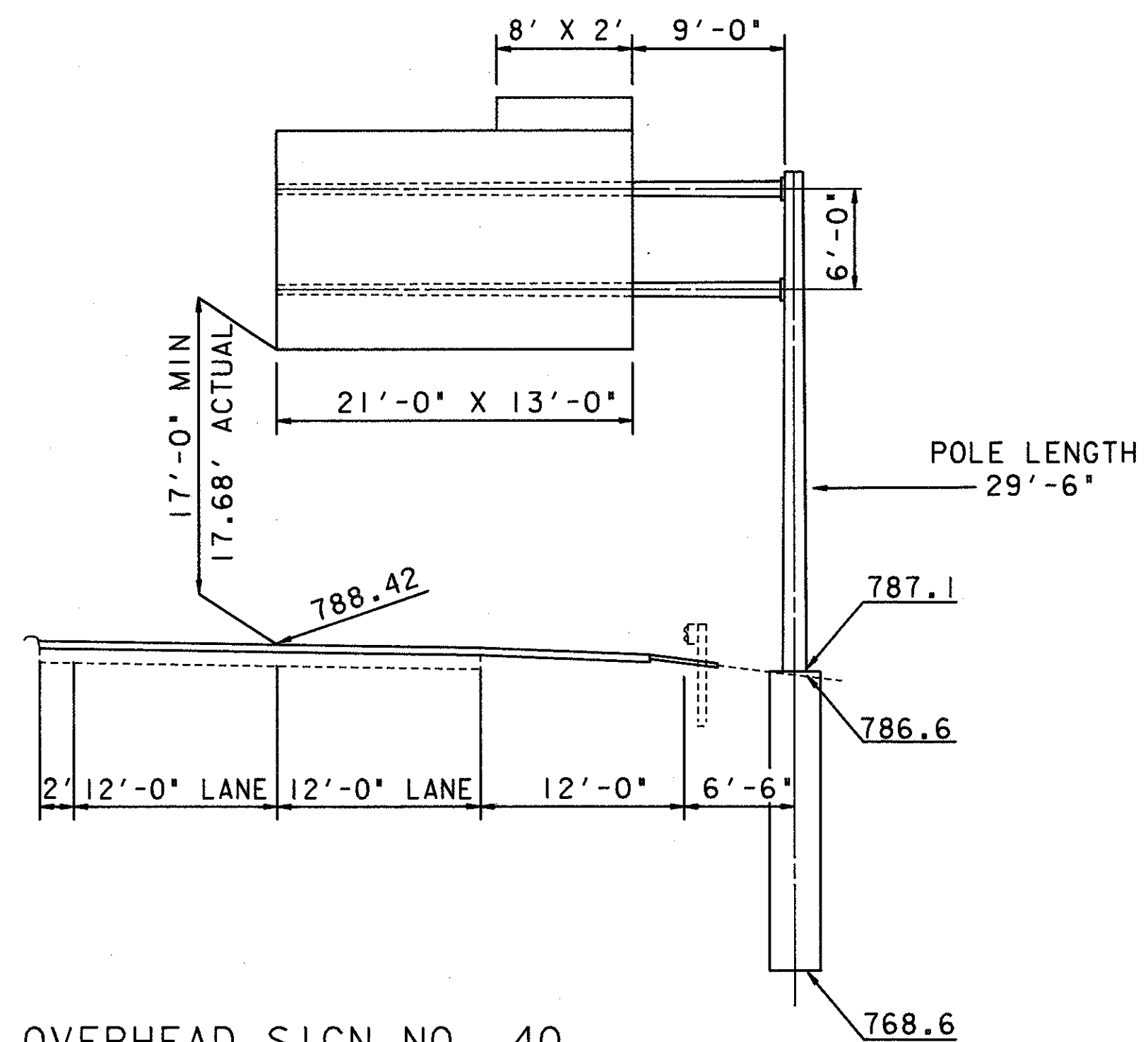
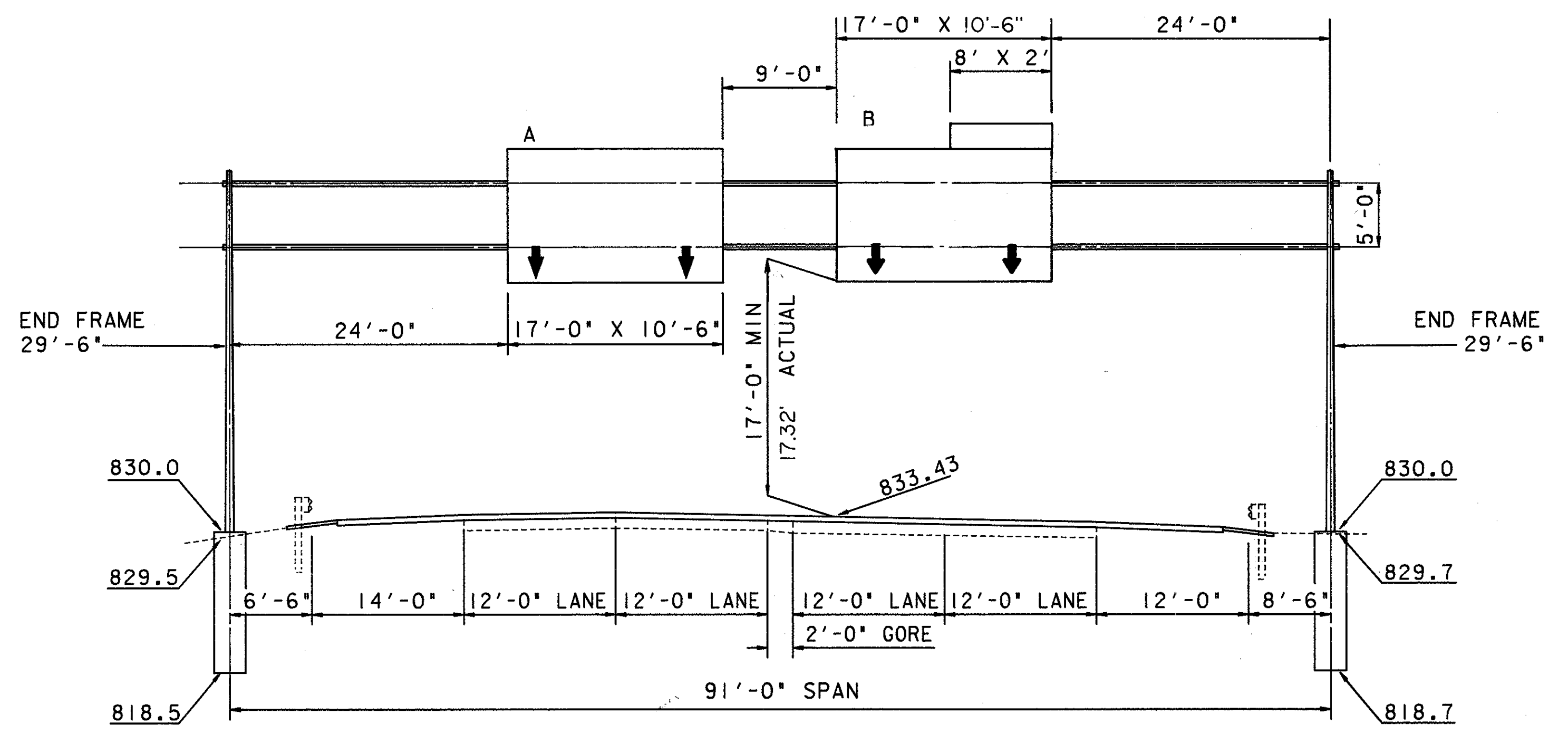


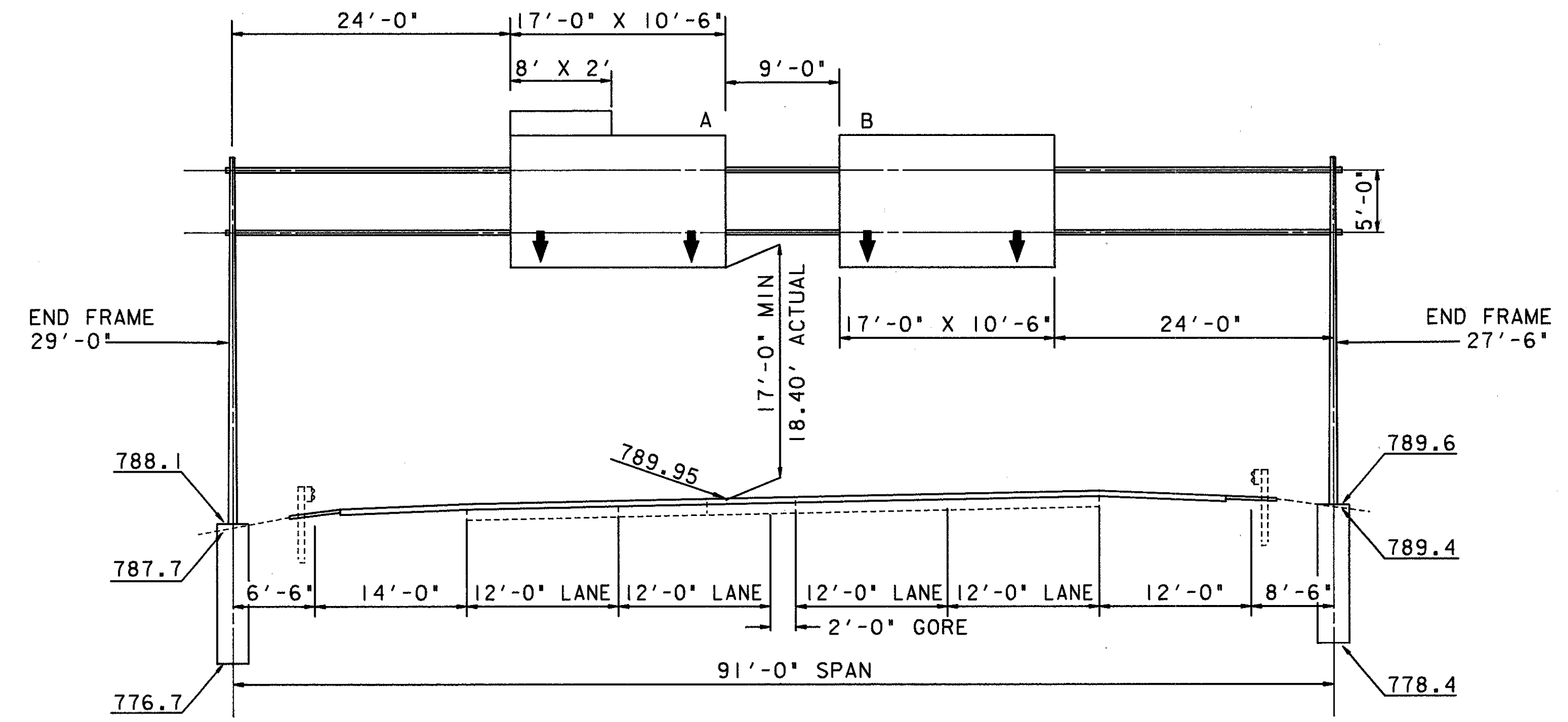
OVERHEAD SIGN NO. 30
STA. 13 + 90 WB, EUCLID SPUR
TYPE 12.30, DESIGN NO. 10
28'-0" ARMS



OVERHEAD SIGN NO. 40
STA. 25 + 55 (RAMP B), EUCLID SPUR
TYPE 12.30, DESIGN NO. 12
30'-0" ARMS



OVERHEAD SIGN NO. 35
STA. 24 + 15 EB, EUCLID SPUR
TYPE 7.65, DESIGN NO. 8
91'-0" SPAN



OVERHEAD SIGN NO. 45
STA. 93 + 60 WB, I-90
TYPE 7.65, DESIGN NO. 8
91'-0" SPAN

NOTE: ELEVATION VEIWS ARE NOT TO SCALE
NOTE: PAVEMENT ELEVATIONS SHOWN INCLUDE RESURFACING.
NOTE: ALL SIGN SUPPORT ELEVATIONS ARE SHOWN IN DIRECTION OF VIEWING SIGN FACES.

PLOT SUBMITTED: 29-SEP-1992 10:00

filename.dgn

PLOTTED BY: BANASZAK
PLOTTED FROM: c:\dgn\p1d5772\5772teb.dgn