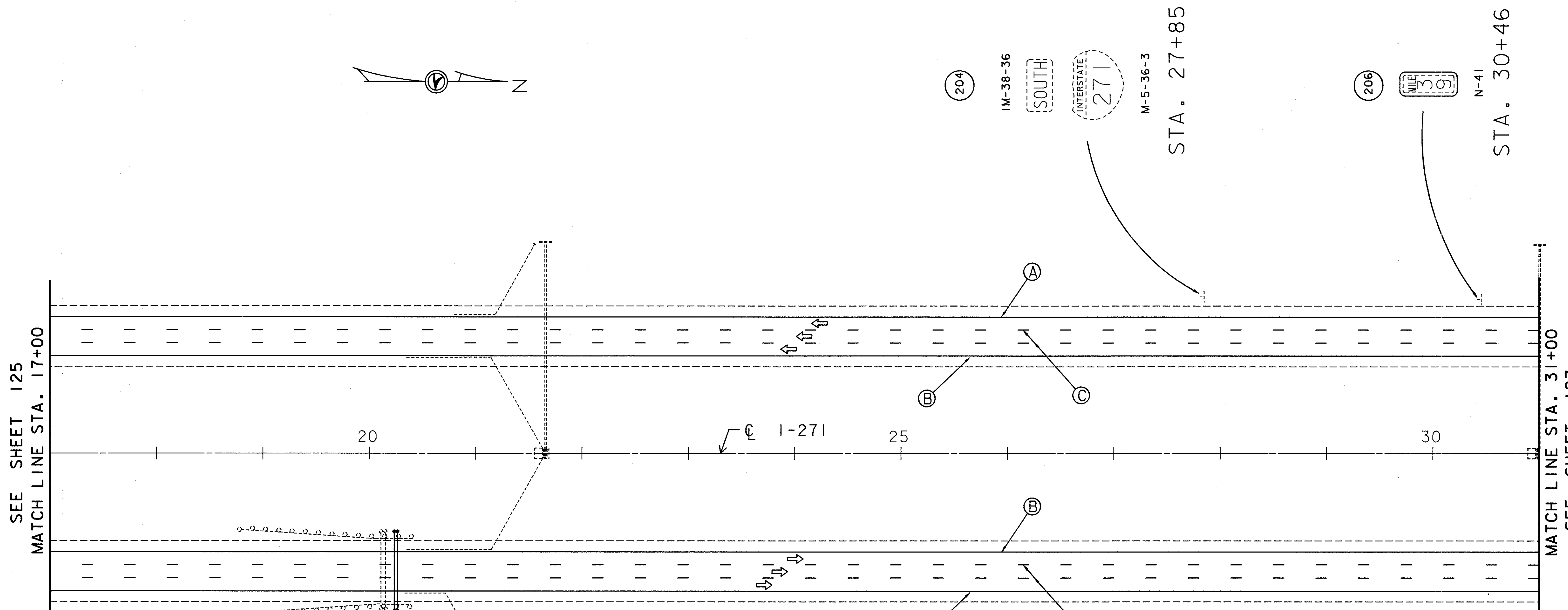
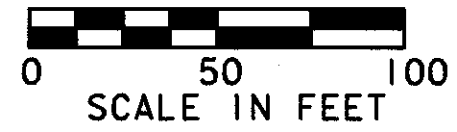


TRAFFIC CONTROL

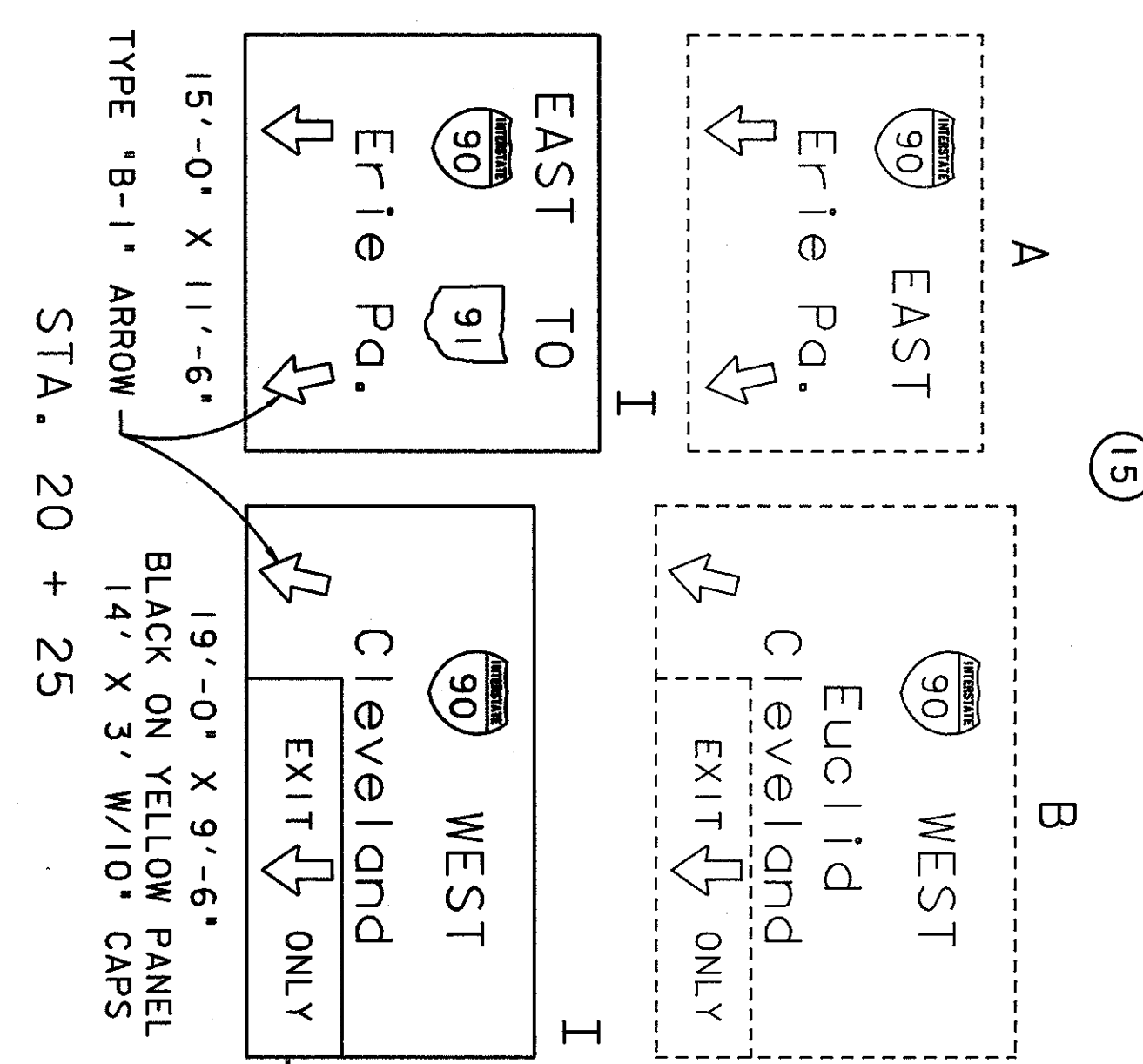
LAKE COUNTY
LAK-90/271-1.88/0.00

OHIO	126
FHWA REGION 5	185
FEDERAL PROJECT	



SEE SHEET 125
MATCH LINE STA. 17+00

MATCH LINE STA. 31+00
SEE SHEET 127



(204) IM-38-36 SOUTH INTERSTATE 271 M-5-36-3 STA. 27+85

(206) MILE 39 N-41 STA. 30+46

(207) MILE 30 N-41 STA. 30+46

FOR LEGEND, SEE SHEET NO. 124

PLOTTED BY: BANASZAK
 PLOTTED FROM: PID5772TDC.DGN
 FILENAME: dgn
 PLOT SUBMITTED: 16-SEP-1992 08:02