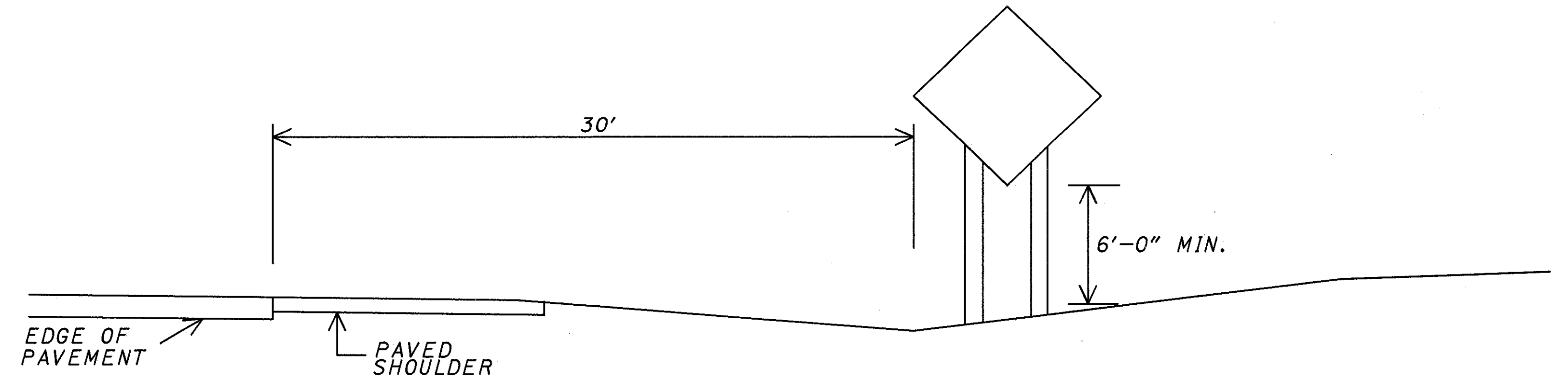
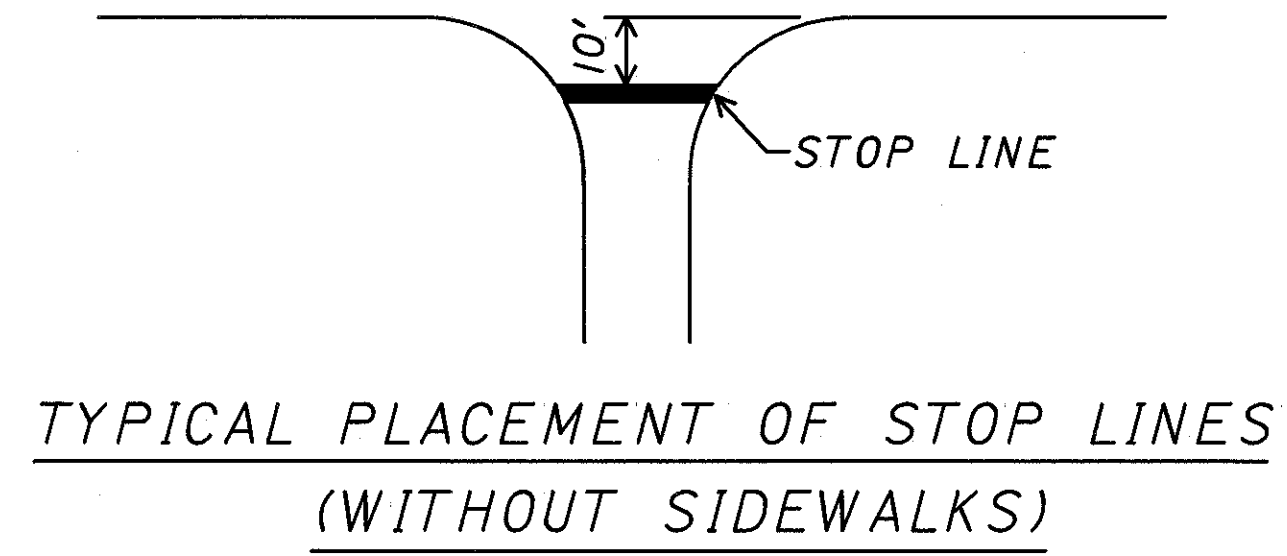


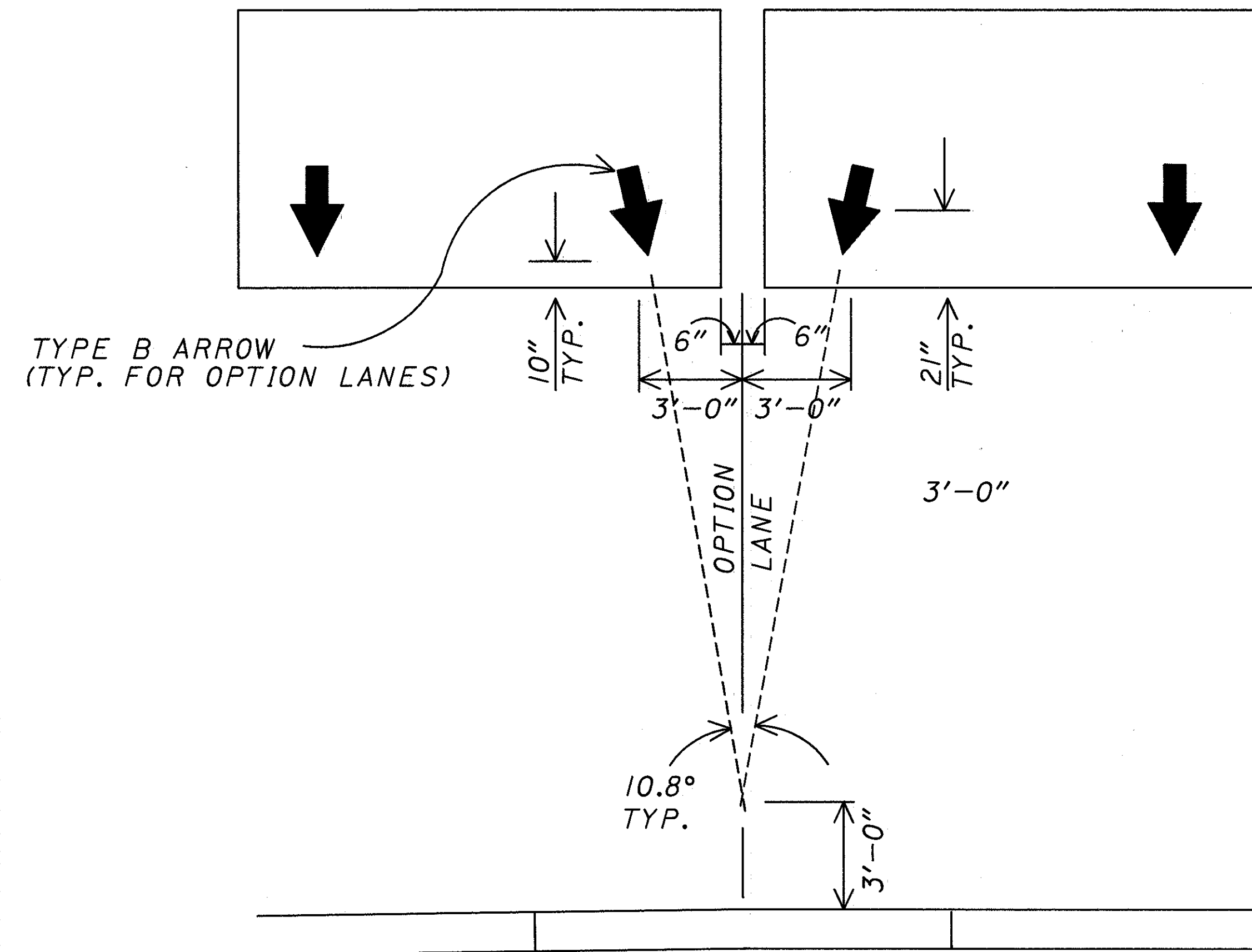
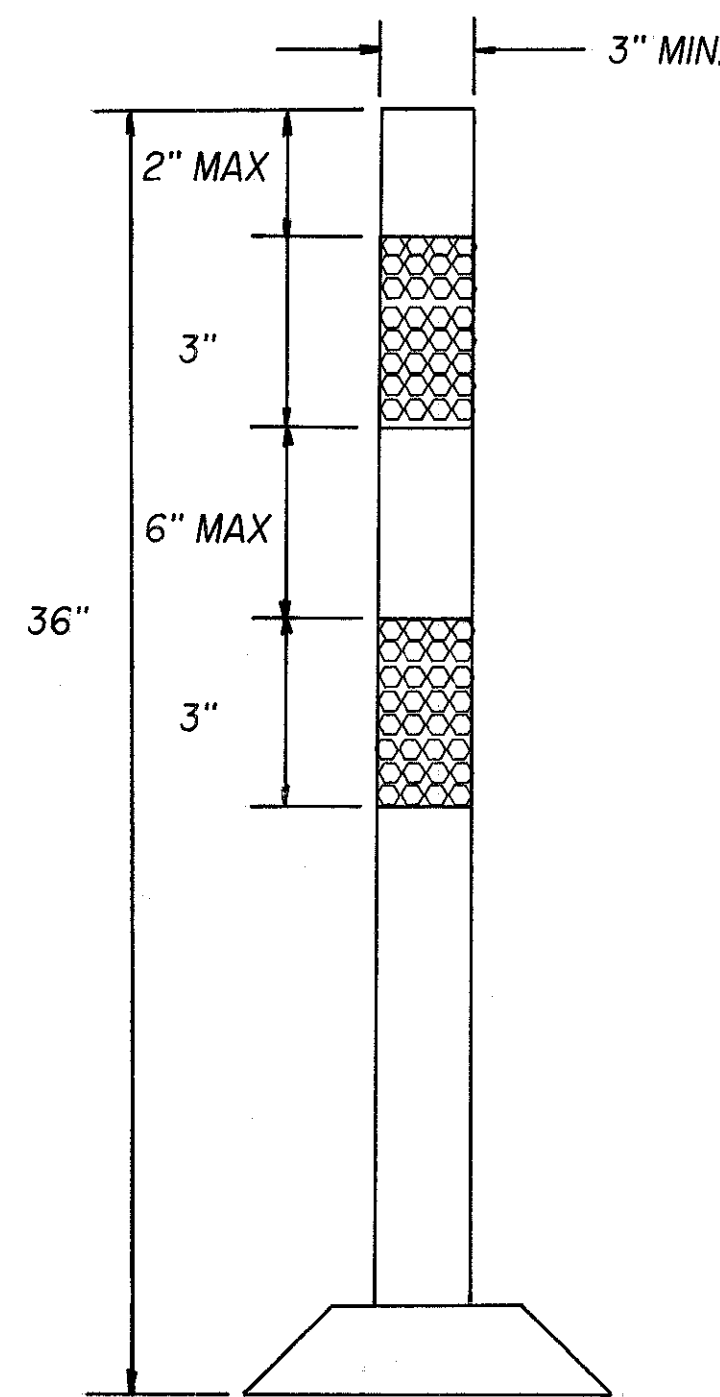
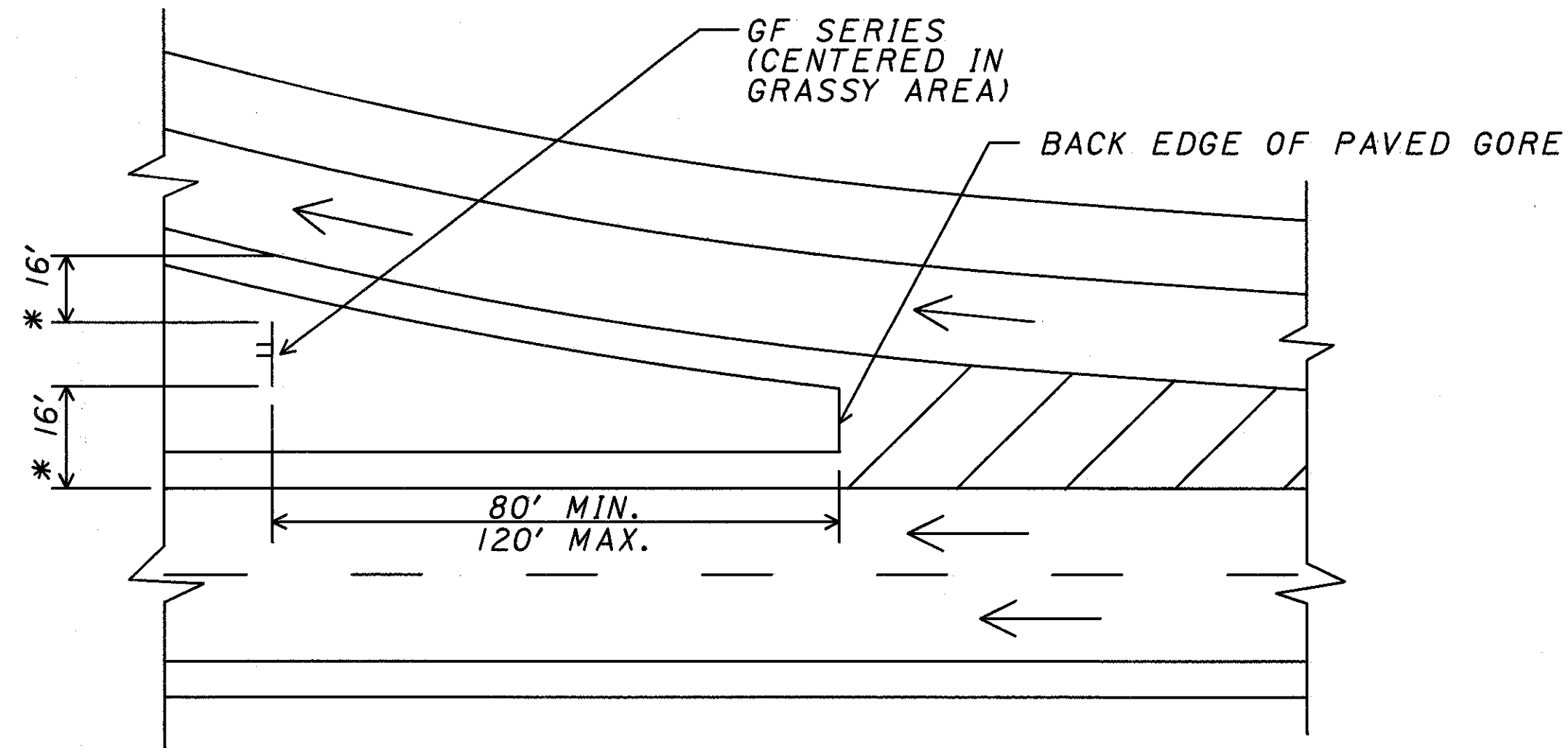
TRAFFIC CONTROL DETAILS

LAKE COUNTY
LAK-90/271-1.88/0.00

OHIO	114A 185
FHWA REGION 5	
FEDERAL PROJECT	



* MINIMUM DESIRABLE OFFSET



PLOT SUBMITTED BY: uliman

PLOT SUBMITTED: 28-AUG-1992 10:10

c:\dgn\pld05772\05772sda.dgn