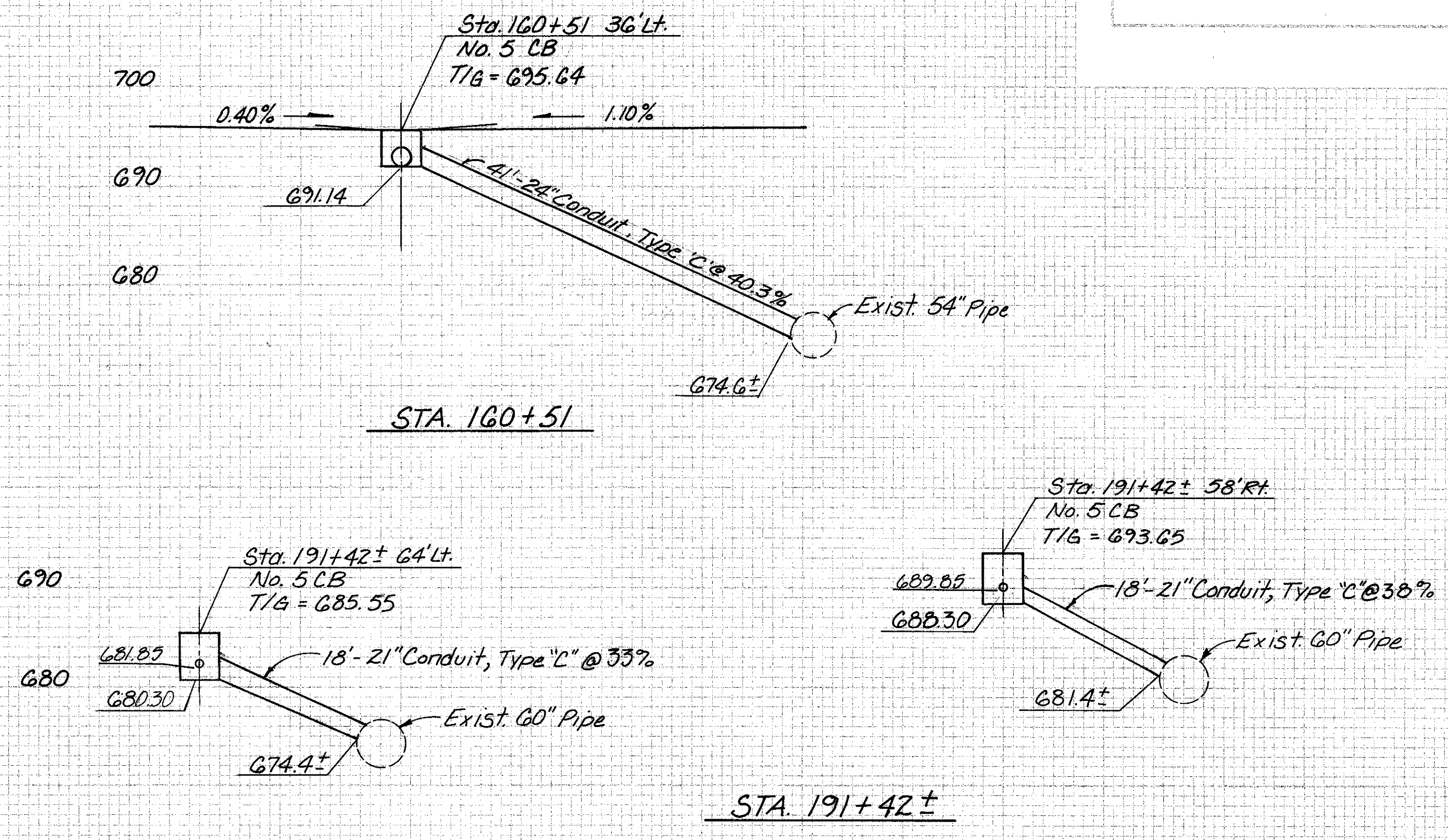
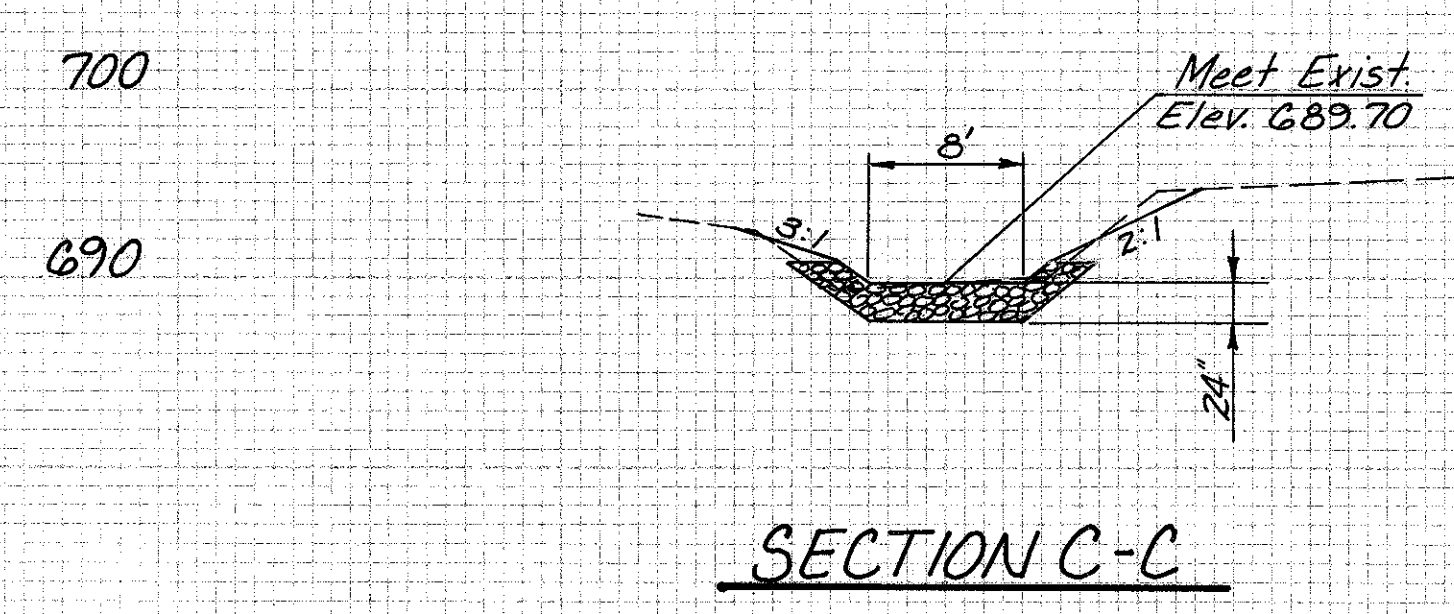
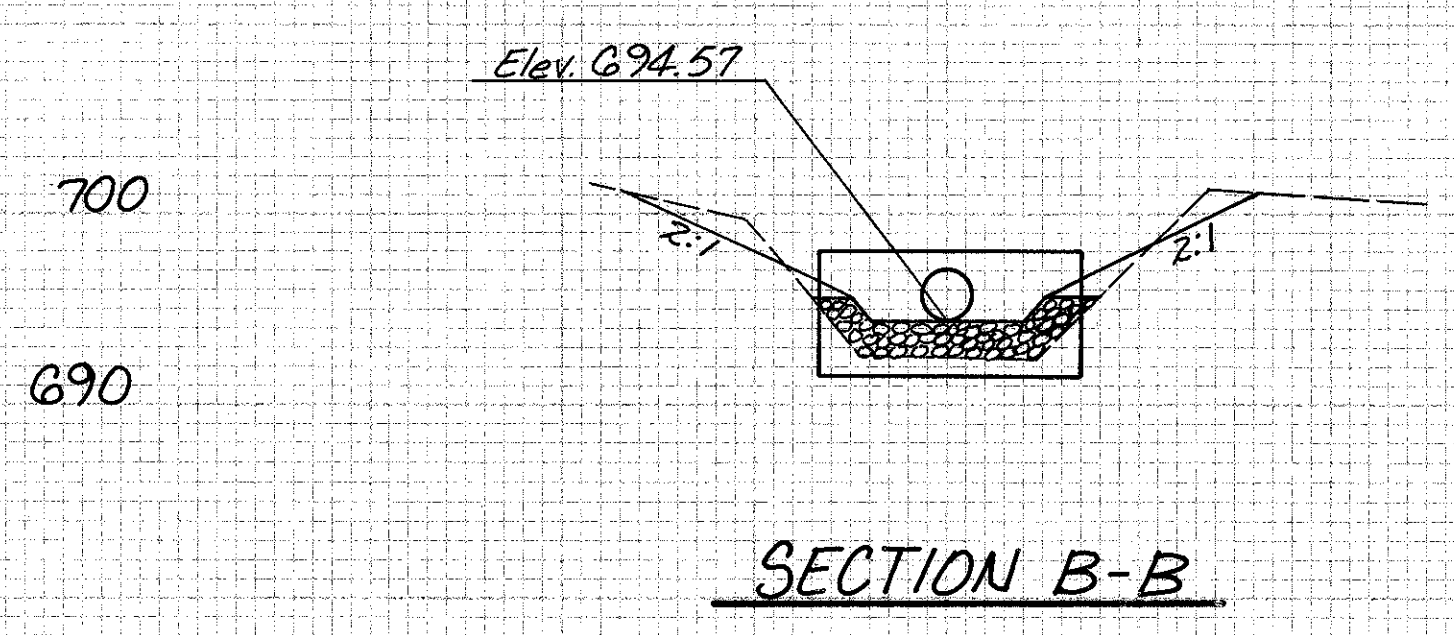
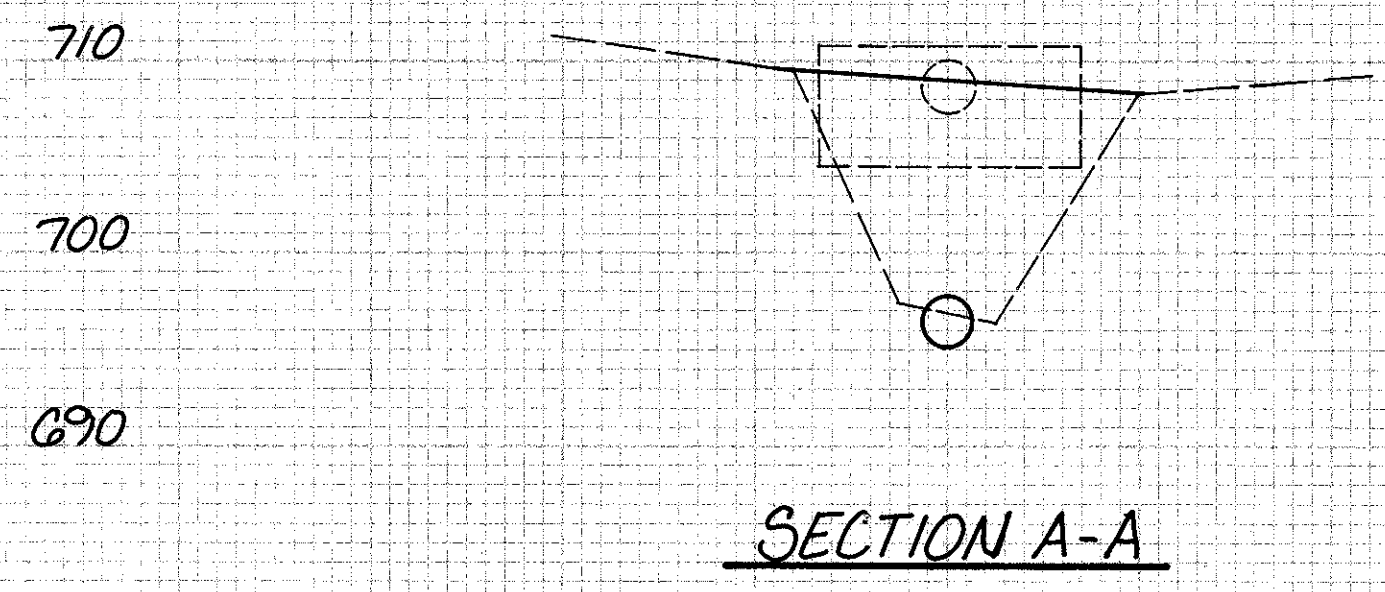
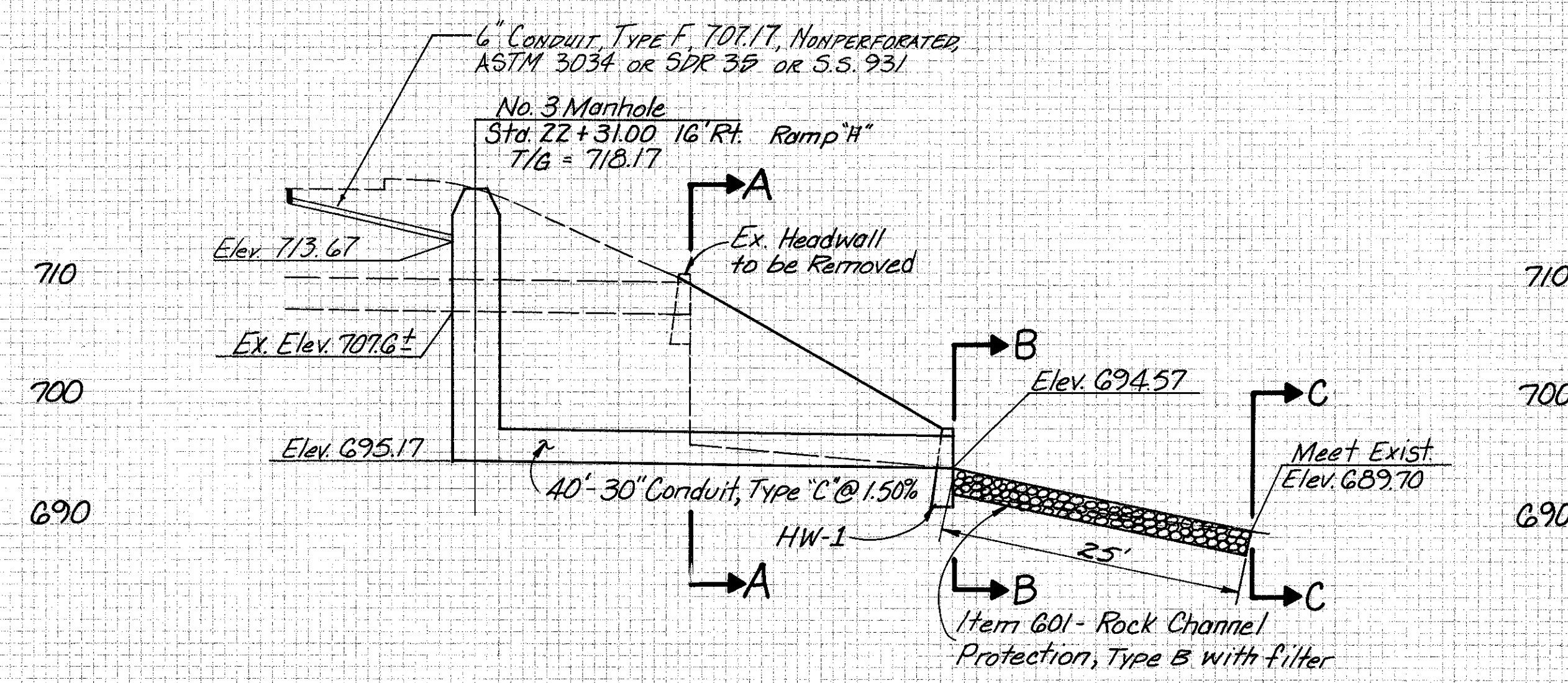


SEEDING
SQ. FT.
700



END AREA		VOLUME	
CUT	FILL	CUT	FILL