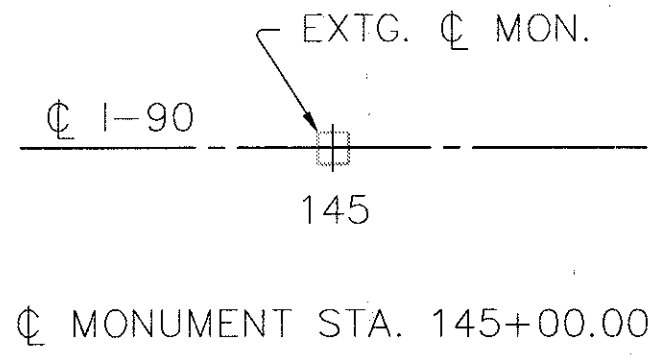


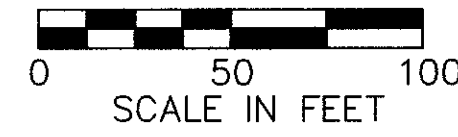
MONUMENT REFERENCE



BENCH MARK

"SQUARE" ON S SIDE GUARDRAIL
BASE, STA. 146+25±, S SIDE OF
EB LANES.
ELEV. = 712.31

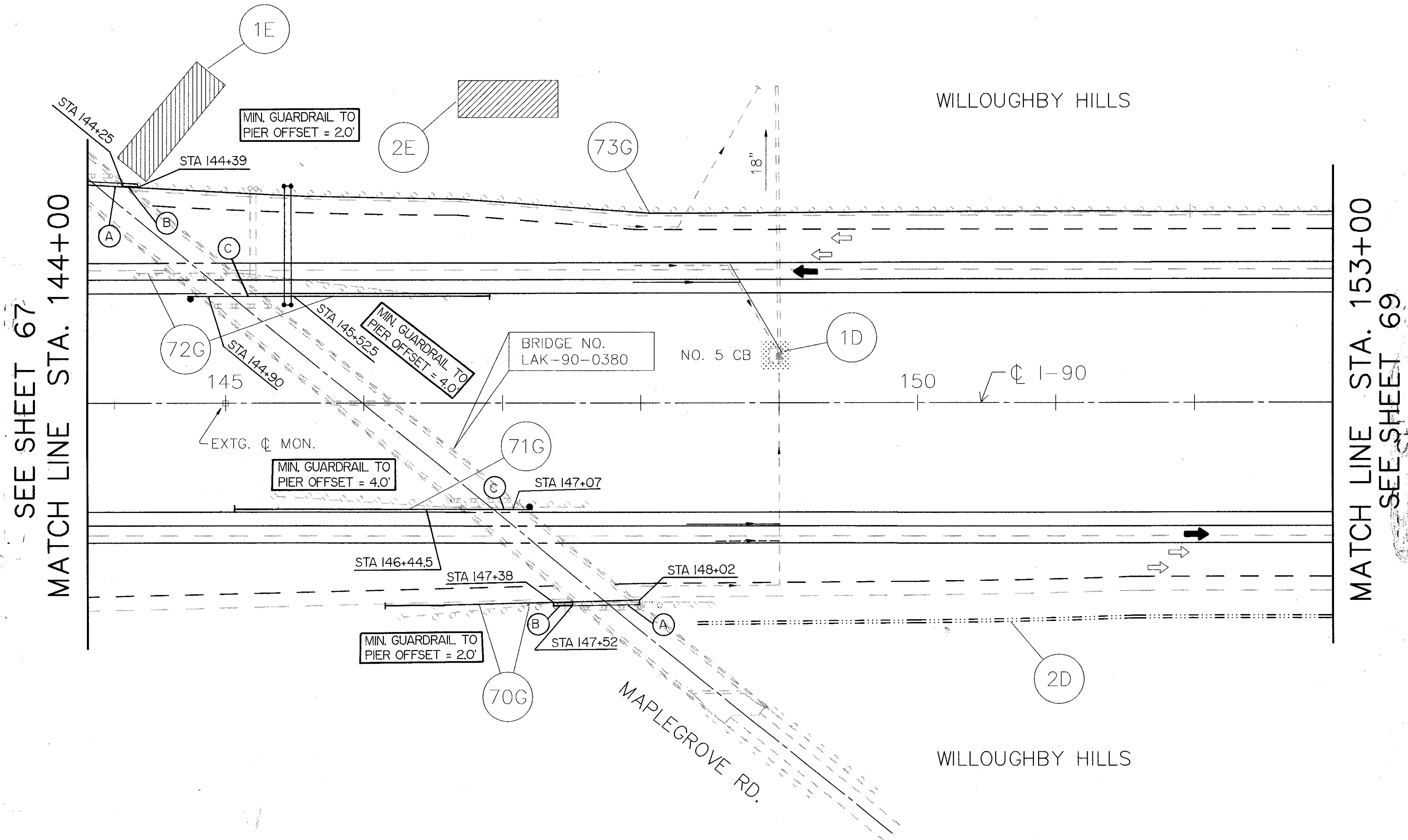
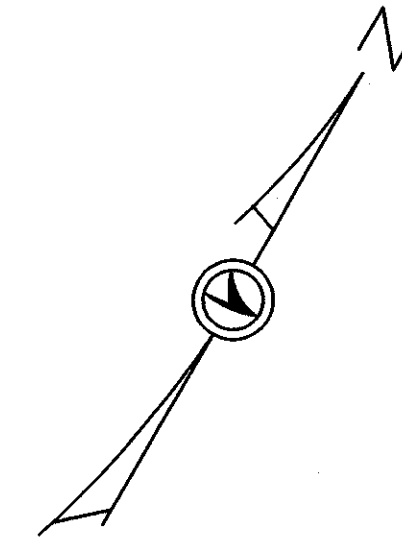
PLAN SHEET



LAKE COUNTY
LAK-90/271-1.88/0.00

OHIO
FHWA
REGION 5
FEDERAL
PROJECT

68
185



SEE SHEET 67

SEE SHEET 69

CROSS REFERENCE	
ITEM	SHEET
RESURFACING	37,38
GUARD RAIL	42
DRAINAGE	45,47
EROSION	49
CROSS SECTIONS	91,92
TRAFFIC CONTROL	139

FOR LEGEND, SEE
SHEET NO. 53