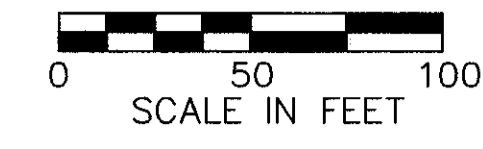
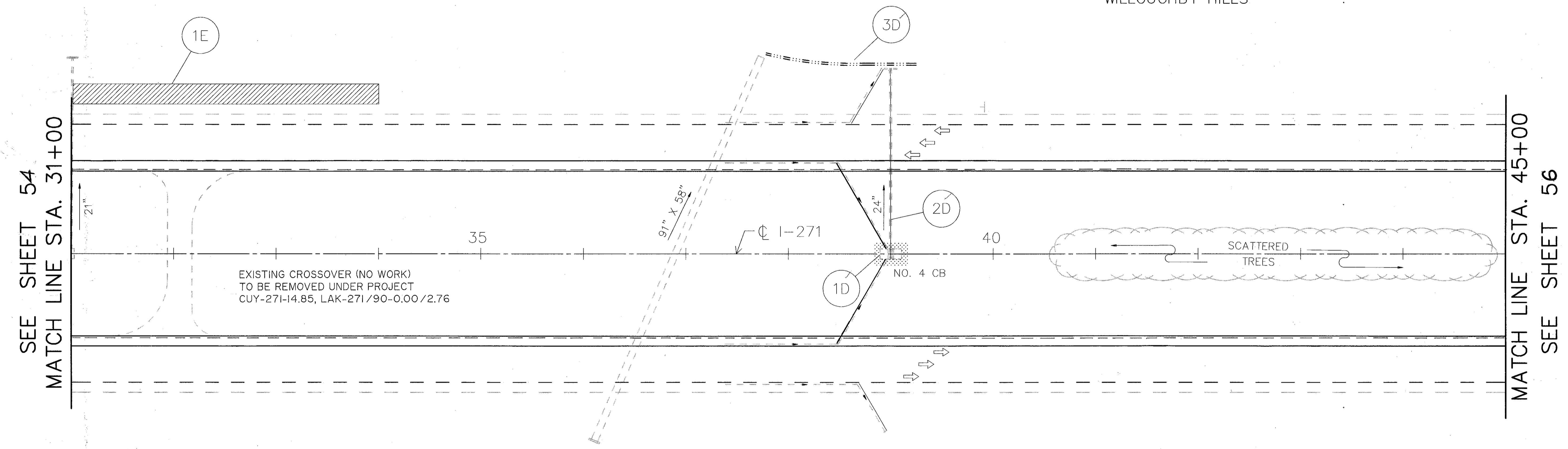


# PLAN SHEET

LAKE COUNTY	OHIO	55 185
LAK-90/271-1.88/0.00	FHWA REGION 5	
FEDERAL PROJECT		



WILLOUGHBY HILLS



WILLOUGHBY HILLS

CROSS REFERENCE	
ITEM	SHEET
RESURFACING	37
DRAINAGE	44,47
EROSION	49
TRAFFIC CONTROL	127

FOR LEGEND, SEE SHEET NO. 53

ACAD FILE : PL\_45.DWG