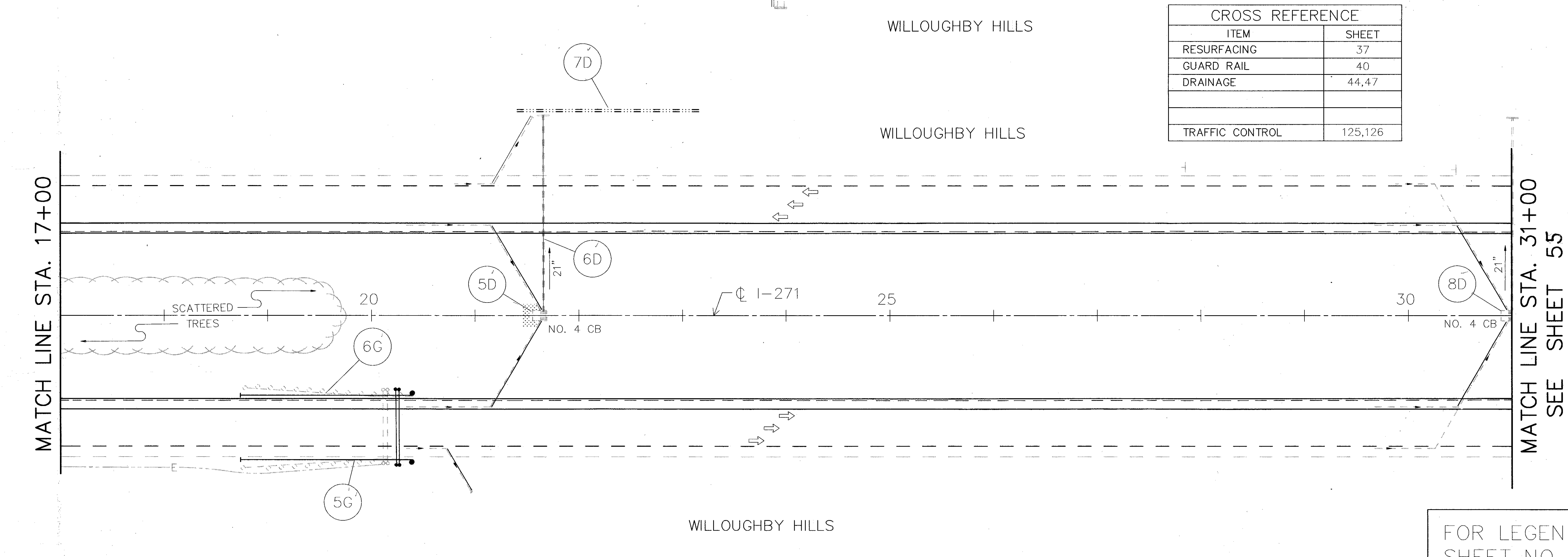
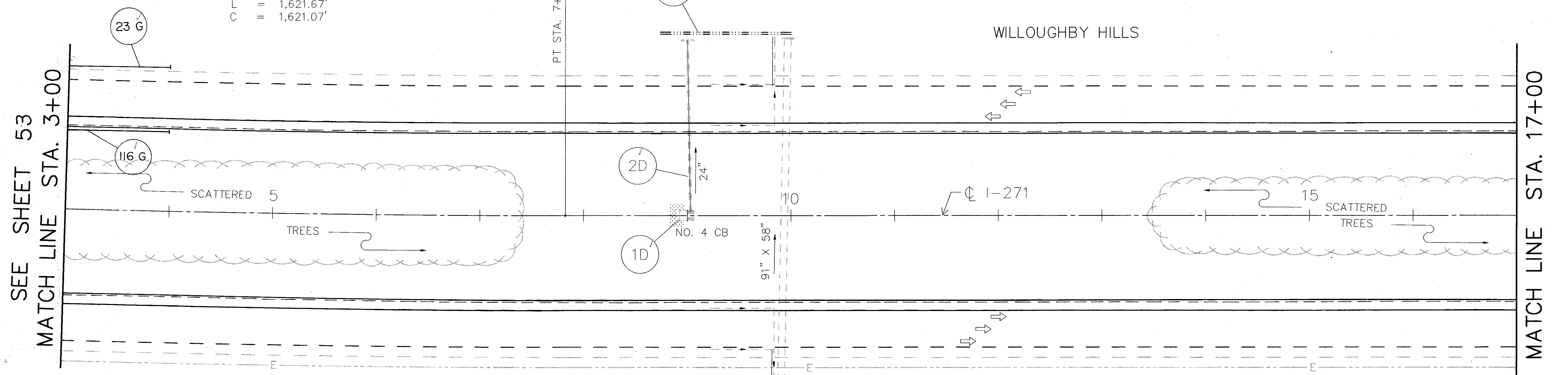
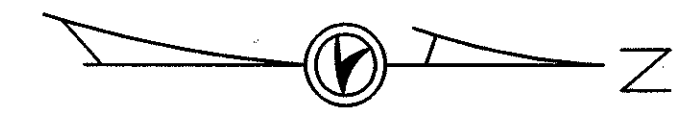
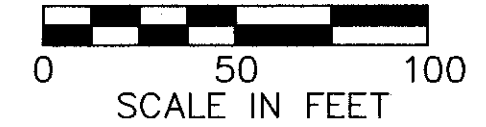


# PLAN SHEET

LAKE COUNTY  
LAK-90/271-1.88/0.00

OHIO	54
FHWA REGION 5	185
FEDERAL PROJECT	

☉ CURVE DATA  
 DELTA = 5°24'20"  
 D = 0°20'00"  
 R = 17,188.73'  
 L = 1,621.67'  
 C = 1,621.07'



CROSS REFERENCE	
ITEM	SHEET
RESURFACING	37
GUARD RAIL	40
DRAINAGE	44,47
TRAFFIC CONTROL	125,126

FOR LEGEND, SEE SHEET NO. 53

ACAD FILE : PL\_31.DWG