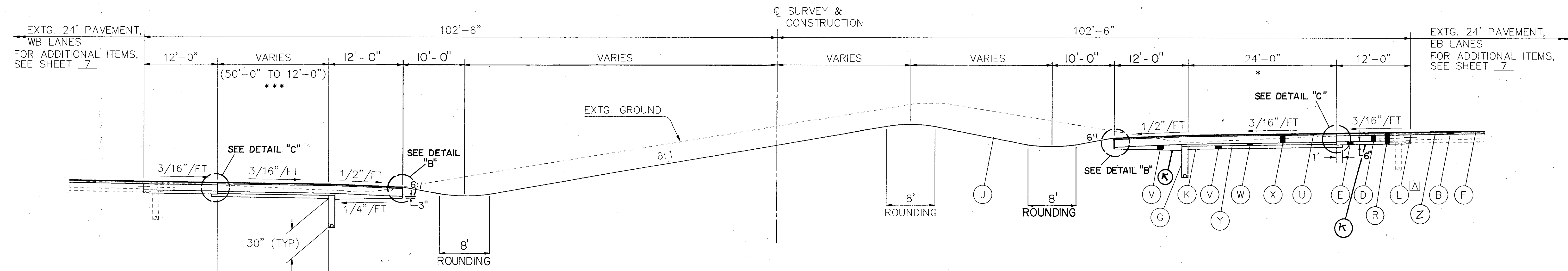
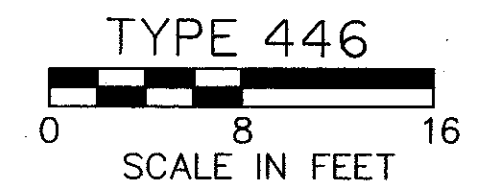
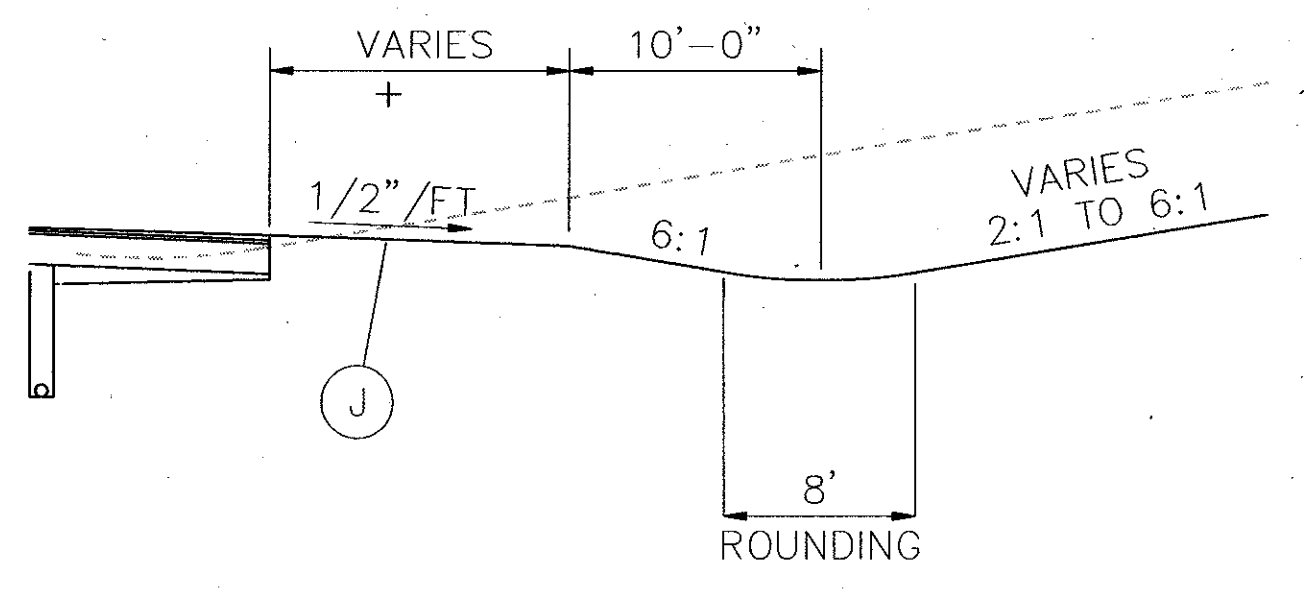


# TYPICAL SECTIONS

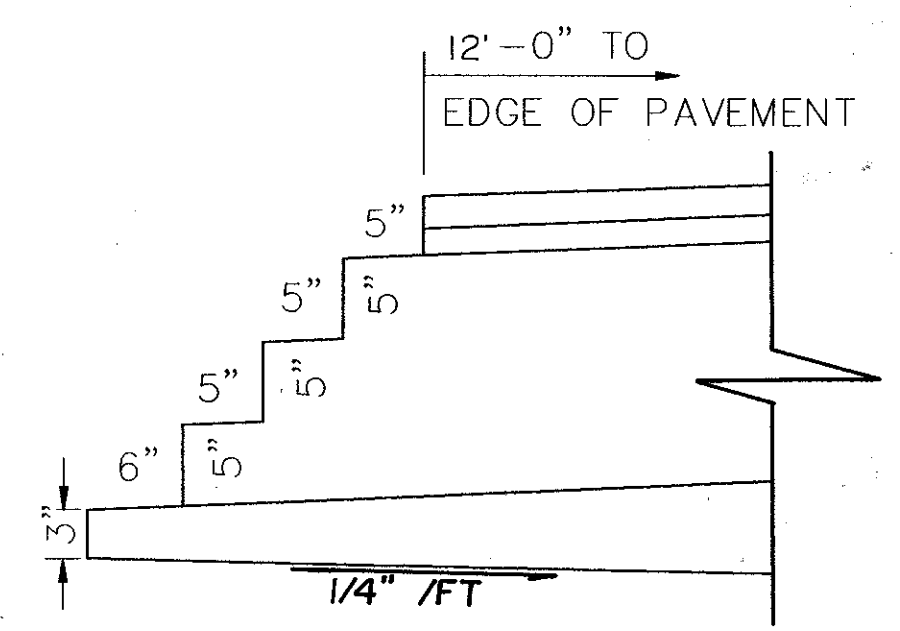


**TYPICAL SECTION - TERMINUS, DUAL LANES**

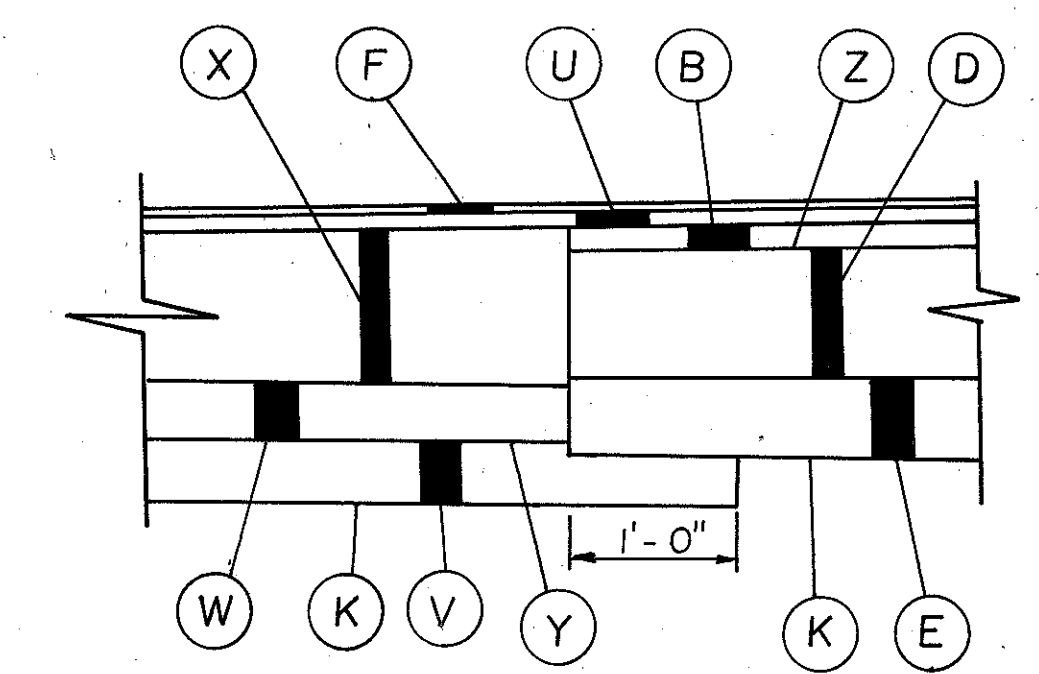
\*\*\* STA. 154+97.58 TO STA. 165+00.00  
 STA. 154+81.61 TO STA. 185+20.00 EAST BOUND  
 STA. 154+97.58 TO STA. 165+00.00 WEST BOUND  
 \* VARIES 52'-0" TO 24'-0" STA. 154+81.61 TO STA. 164+32.00  
 \* VARIES 24'-0" TO 12'-0" STA. 178+00.00 TO STA. 185+20.00



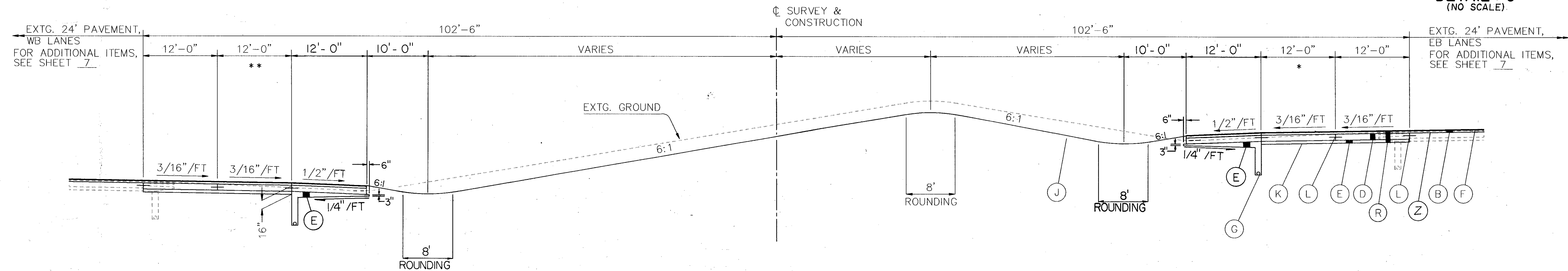
STA. 154+97.58 TO STA. 158+60.44  
 + 2'-0" TO 20'-0"



STA. 156+70.00 TO STA. 185+20.00 EB  
 STA. 154+97.58 TO STA. 165+00.00 WB  
**DETAIL "B"**



**DETAIL "C"**  
 (NO SCALE)



**TYPICAL SECTION - TERMINUS, DUAL LANES**

\*\* VARIES 12'-0" TO 0'-0" STA. 190+00.00 TO STA. 193+00.00  
 \* VARIES 12'-0" TO 0'-0" STA. 205+20.00 TO STA. 212+40.00  
 STA. 185+20.00 TO STA. 212+40.00 EAST BOUND  
 STA. 165+00.00 TO STA. 193+00.00 WEST BOUND

NOTE:  
 TYPICAL SECTIONS ARE INTENDED TO SHOW GENERAL ROADWAY AND PAVEMENT FEATURES ONLY; FOR DETAIL, SEE PLAN SHEET.

FOR LEGEND,  
 SEE SHEET 4

ACAD FILE : TYP\_SECT7.DWG.