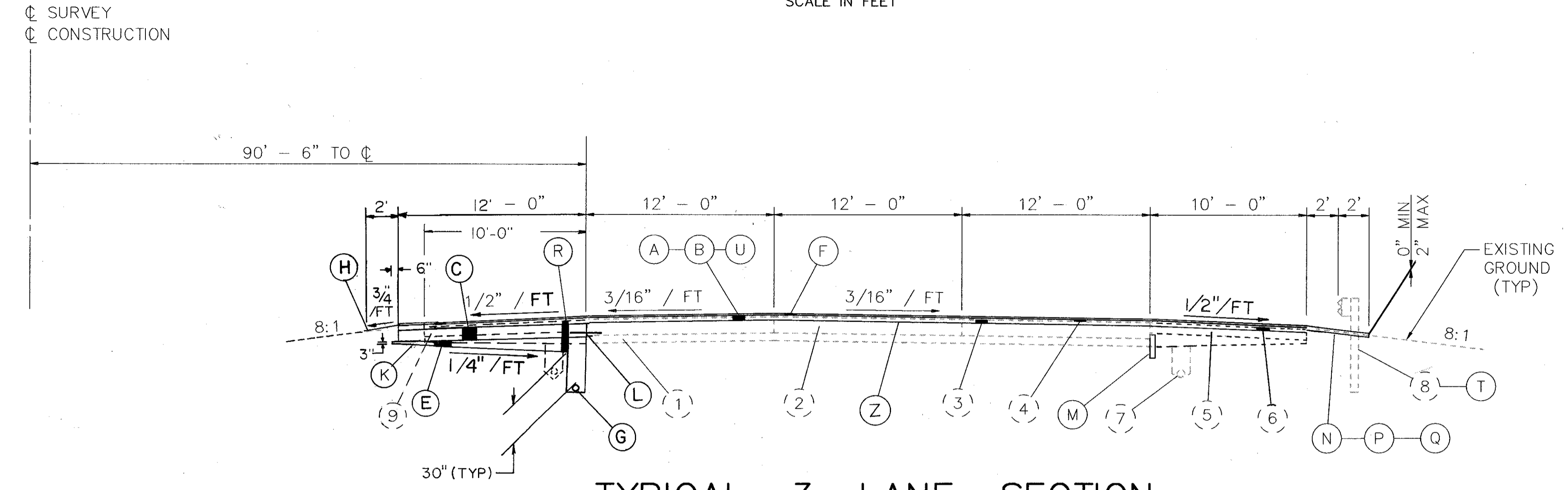
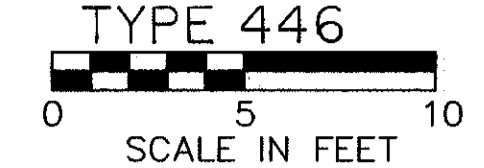


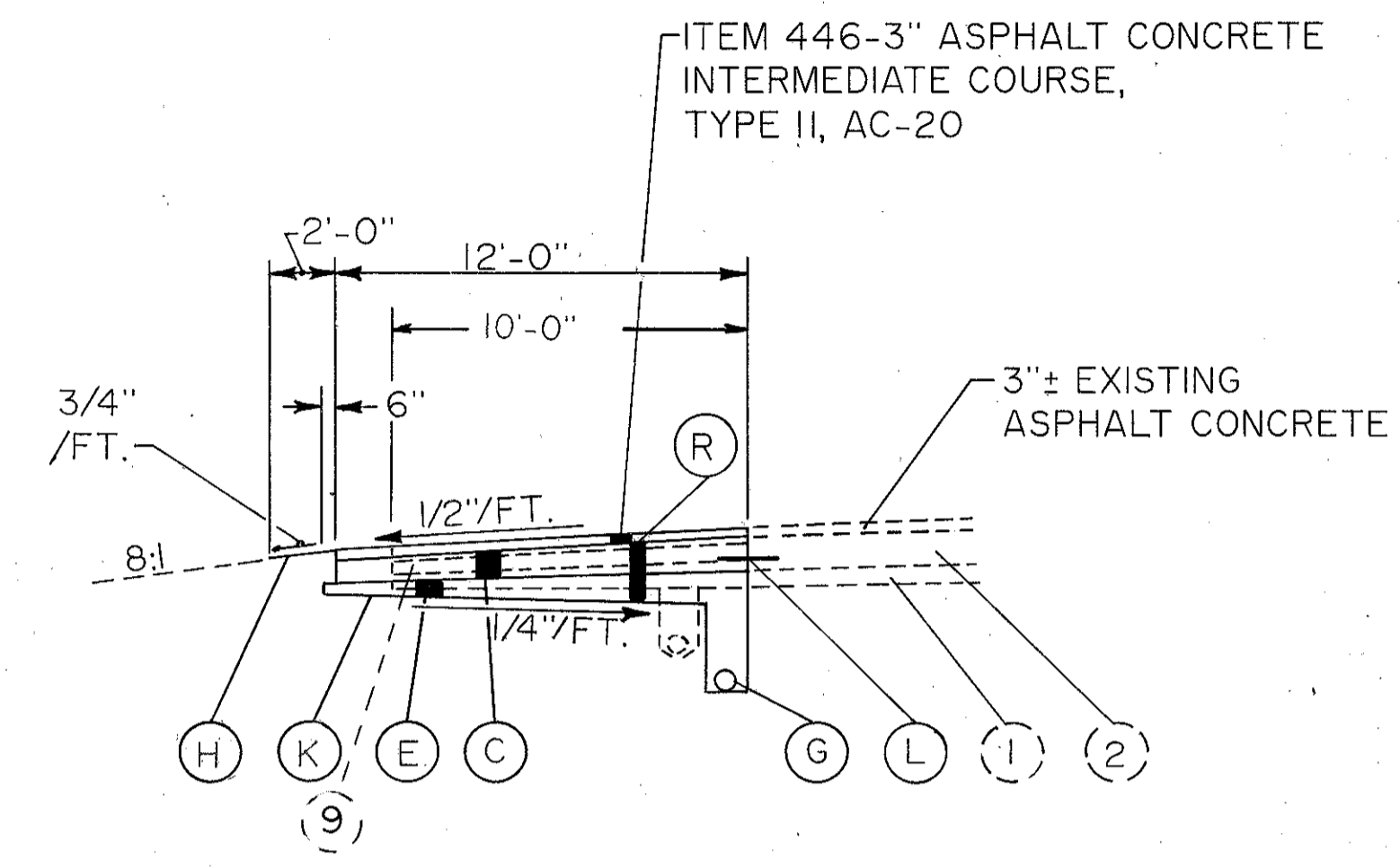
TYPICAL SECTIONS



* 3/4" / FT. NOMINAL CROSS SLOPE
TYPICAL FOR ALL SECTIONS

TYPICAL 3 LANE SECTION

I-271
STA. 0 + 00.20 TO STA. 55 + 40.60 NORTH BOUND
STA. 0 + 00.20 TO STA. 55 + 40.60 SOUTH BOUND



SHOULDER DETAIL FOR MAINTENANCE OF TRAFFIC

I-271
STA. 126+94.62 TO STA. 134+64.62 NB & SB

EXISTING

- (1) SUBBASE
- (2) 10" PORTLAND CEMENT CONCRETE PAVEMENT
- (3) 2 1/2" ASPHALT CONCRETE
- (4) 1 1/4" ASPHALT CONCRETE
- (5) STABILIZED CRUSHED AGGREGATE SHOULDER
- (6) WATERPROOFED AGGREGATE BASE
- (7) UNDERDRAIN (TO REMAIN)
- (8) GUARDRAIL
- (9) 6 3/4" ASPHALT CONCRETE

PROPOSED

- (A) ITEM - 202 WEARING COURSE REMOVED, **AS PER PLAN** (3 3/4" NOMINAL DEPTH)
- (B) ITEM - 301 2 1/4" BITUMINOUS AGGREGATE BASE, AC-20
- (C) ITEM - 305 10" CONCRETE BASE, AS PER PLAN
- (D) ITEM - 305 12" CONCRETE BASE, AS PER PLAN
- (E) ITEM - 310 SUBBASE, TYPE II, **AS PER PLAN**
- (F) ITEM - 446 1 1/4" ASPHALT CONCRETE SURFACE COURSE, TYPE I, AC-20, **AS PER PLAN**
- (G) ITEM - 605 6" SHALLOW PIPE UNDERDRAINS, **AS PER PLAN**
- (H) ITEM - 617 COMPACTED AGGREGATE, TYPE A, **AS PER PLAN**
- (J) ITEM - 659 SEEDING & MULCHING
- (K) ITEM - 203 SUBGRADE COMPACTION
- (L) STANDARD LONGITUDINAL JOINT WITH #5 BARS, 24" LONG, SPACED AT 30" C/C, PLACED AS PER BP - 2.1
- (L^A) TYPE D (DRILLED TIED LONGITUDINAL) JOINT AS PER BP - 2.1
- (M) ITEM - 605 SHALLOW UNDERDRAIN, **AS PER PLAN**
- (N) ITEM - 203 LINEAR GRADING, **AS PER PLAN**
- (P) ITEM - 446 3" ASPHALT CONCRETE INTERMEDIATE COURSE, TYPE I, **AS PER PLAN** (UNDER GUARDRAIL)
- (Q) HERBICIDES FOR WEED CONTROL
- (R) ITEM - 203 EXCAVATION NOT INCLUDING EMBANKMENT CONSTRUCTION
- (S) ITEM - 301 2 1/2" BITUMINOUS AGGREGATE BASE, AC-20
- (T) ITEM - 606 GUARDRAIL (SEE PLAN SHEETS FOR LOCATIONS)
- (U) ITEM - 446 1 3/4" ASPHALT CONCRETE INTERMEDIATE COURSE, TYPE II, AC-20, **AS PER PLAN**
- (V) ITEM - 304 AGGREGATE BASE, **AS PER PLAN**
- (W) ITEM - SPEC. ASPHALT TREATED FREE DRAINING BASE (SEE PROPOSAL NOTE)
- (X) ITEM - 301 15" BITUMINOUS AGGREGATE BASE, AC-20
- (Y) ITEM - 408 BITUMINOUS PRIME COAT APPLIED AT A RATE OF 0.40 GAL PER S.Y.
- (Z) ITEM - 407 TACK COAT
- (AA) ITEM - 612 CONCRETE MEDIAN

NOTE:
TYPICAL SECTIONS ARE INTENDED TO SHOW GENERAL ROADWAY AND PAVEMENT FEATURES ONLY; FOR DETAIL, SEE PLAN SHEET.