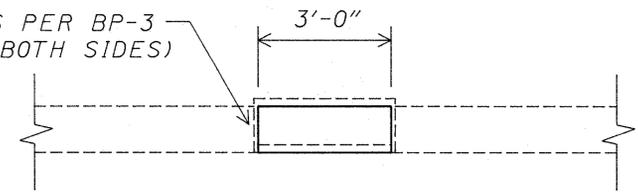


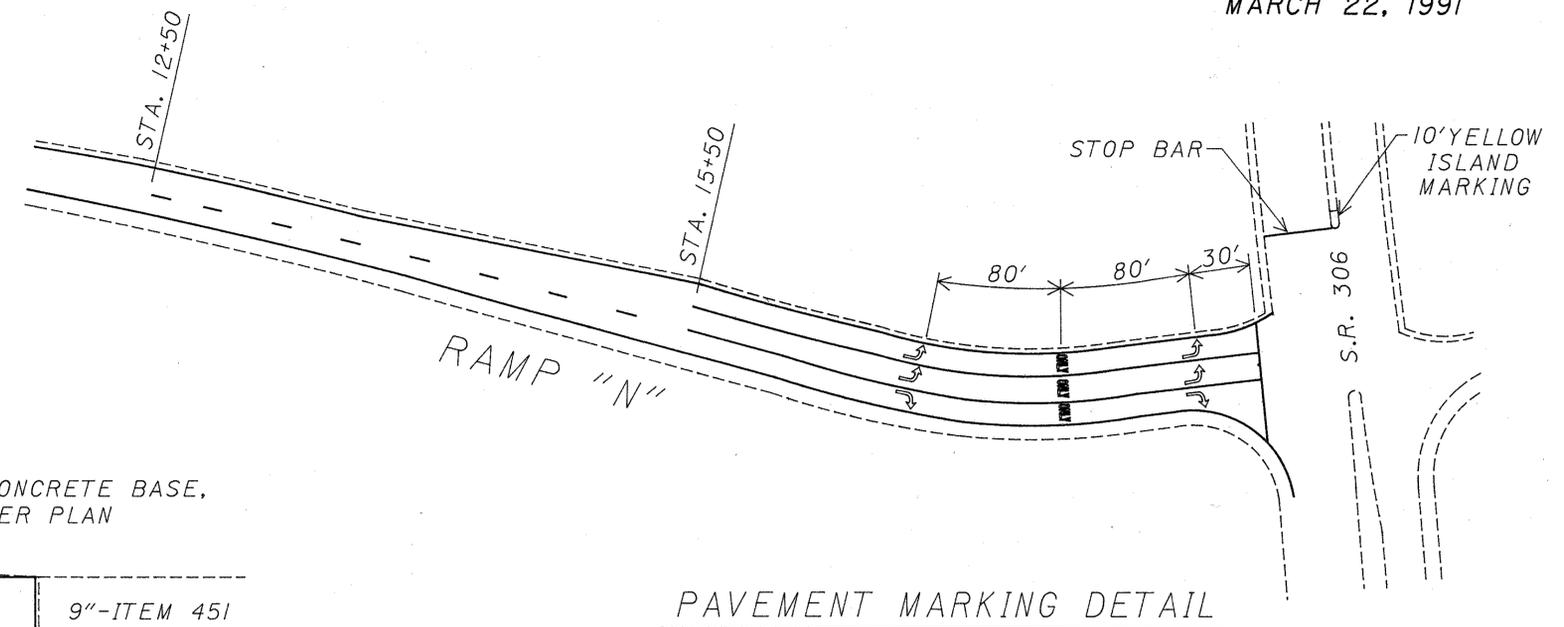
CHANGE ORDER  
MARCH 22, 1991

PLOT SUBMITTED BY: KONOPKA  
ZFI: L100,350JOLK90DETI.DGN  
PLOT SUBMITTED: 22-MAR-1991 15:25

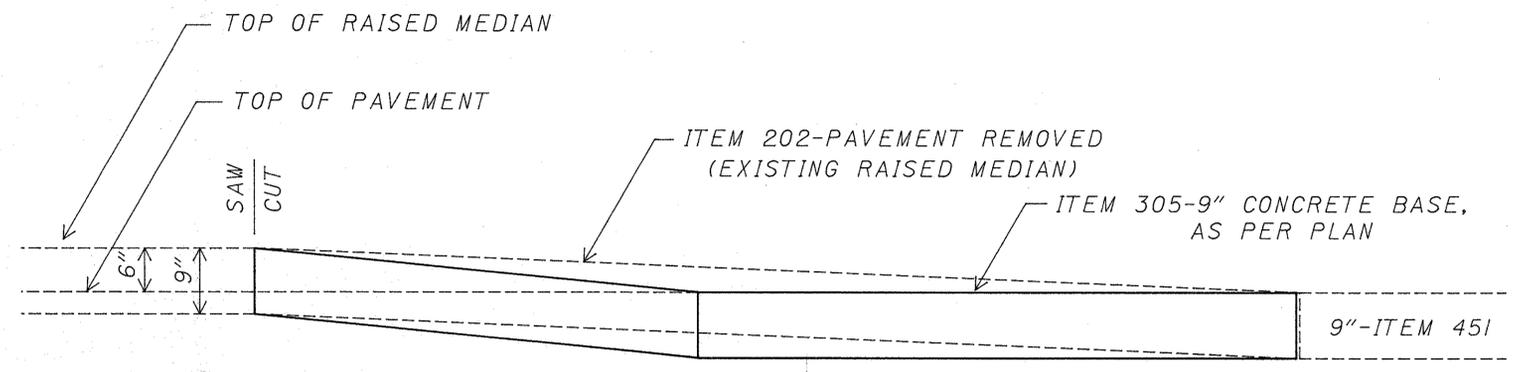
LONGITUDINAL JOINT AS PER BP-3  
(HOOK BOLTS, 30" C/C, BOTH SIDES)



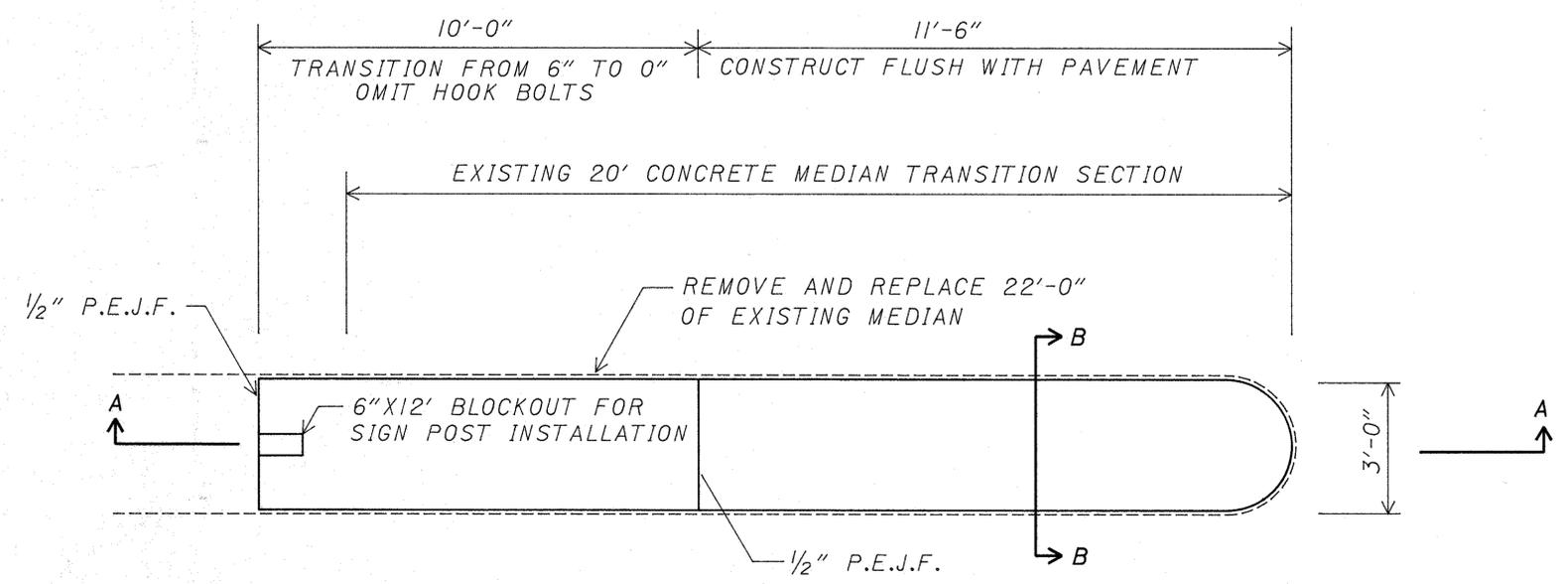
SECTION B-B



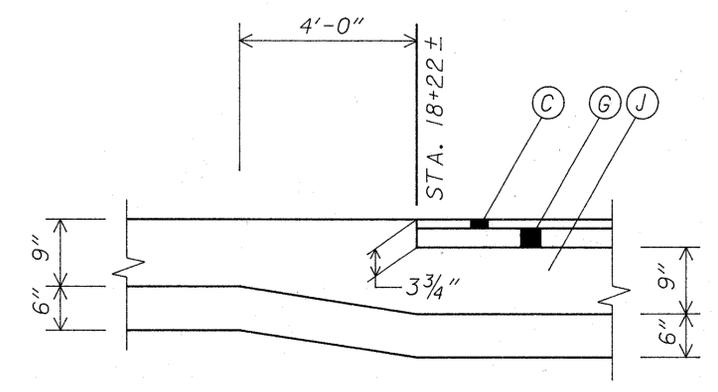
PAVEMENT MARKING DETAIL



SECTION A-A



S.R. 306 MEDIAN PLAN, STA. 274+09.5 TO STA. 274+31.0



PAVEMENT DETAIL, STA. 18+22