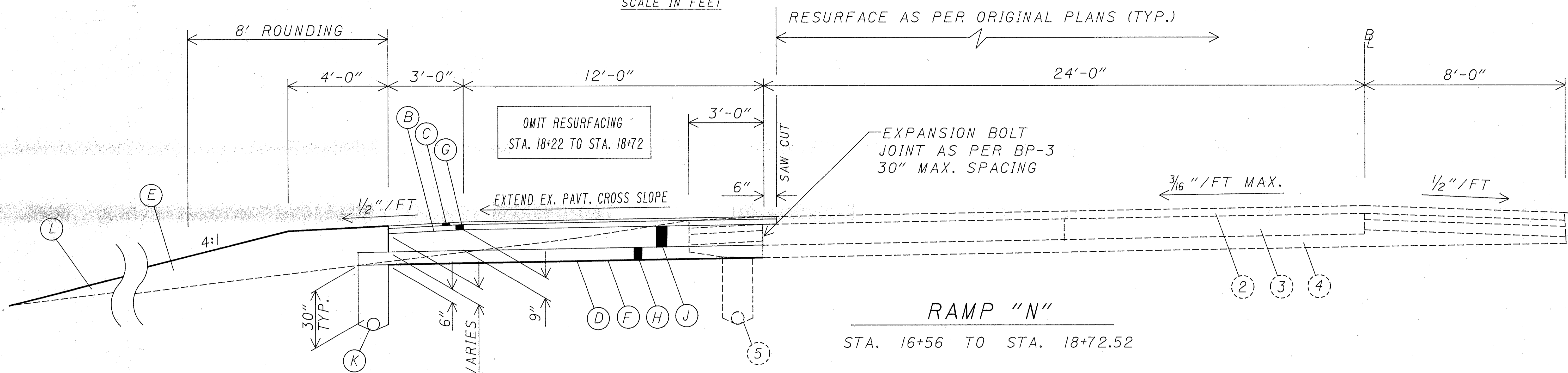
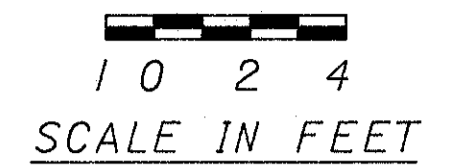
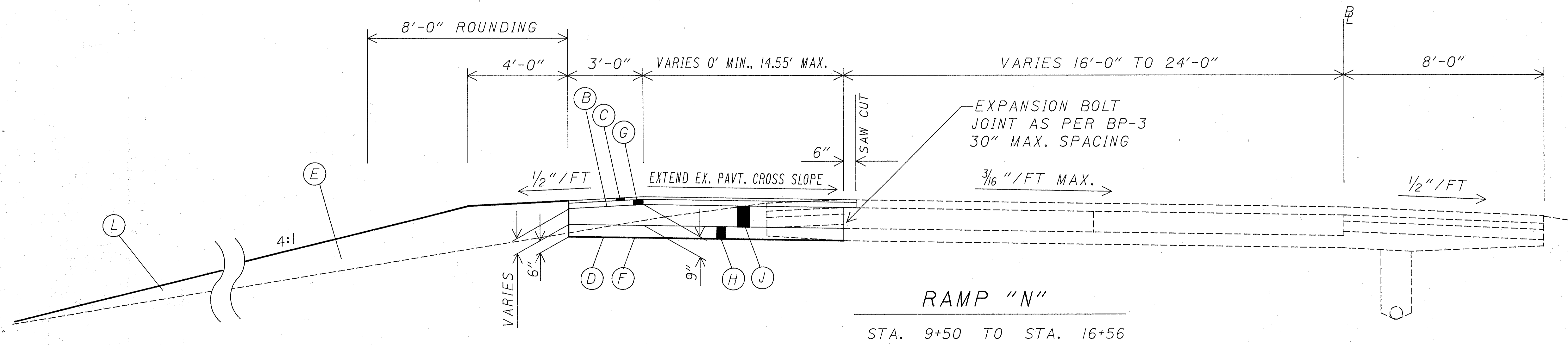


TYPICAL SECTIONS

CHANGE ORDER
MARCH 22, 1991



RAMP "N"
STA. 16+56 TO STA. 18+72.52



RAMP "N"
STA. 9+50 TO STA. 16+56

LEGEND

- EXISTING
- (2) ASPHALT CONCRETE
 - (3) REINFORCED CONCRETE PAVEMENT
 - (4) SUBBASE
 - (5) UNDERDRAIN

- PROPOSED
- (B) ITEM 407-TACK COAT, 0.10 GAL. / S.Y.
 - (C) ITEM 446-1 1/4" ASPHALT CONCRETE SURFACE COURSE, TYPE I, AC-20, AS PER PLAN
 - (D) ITEM 203-EXCAVATION NOT INCLUDING EMBANKMENT CONSTRUCTION
 - (E) ITEM 203-EMBANKMENT, AS PER PLAN

- (F) ITEM 203-SUBGRADE COMPACTION
- (G) ITEM 301-2 1/2" BITUMINOUS AGGREGATE BASE
- (H) ITEM 304-AGGREGATE BASE, AS PER PLAN
- (J) ITEM 305-9" CONCRETE BASE, AS PER PLAN
- (K) ITEM 605-6" SHALLOW PIPE UNDERDRAIN
- (L) ITEM 659-SEEDING AND MULCHING

PLOT SUBMITTED BY: KONOPKA
 ZFI: L100,350JOLK90GYA1.DGN
 PLOT SUBMITTED: 22-MAR-1991 15:11