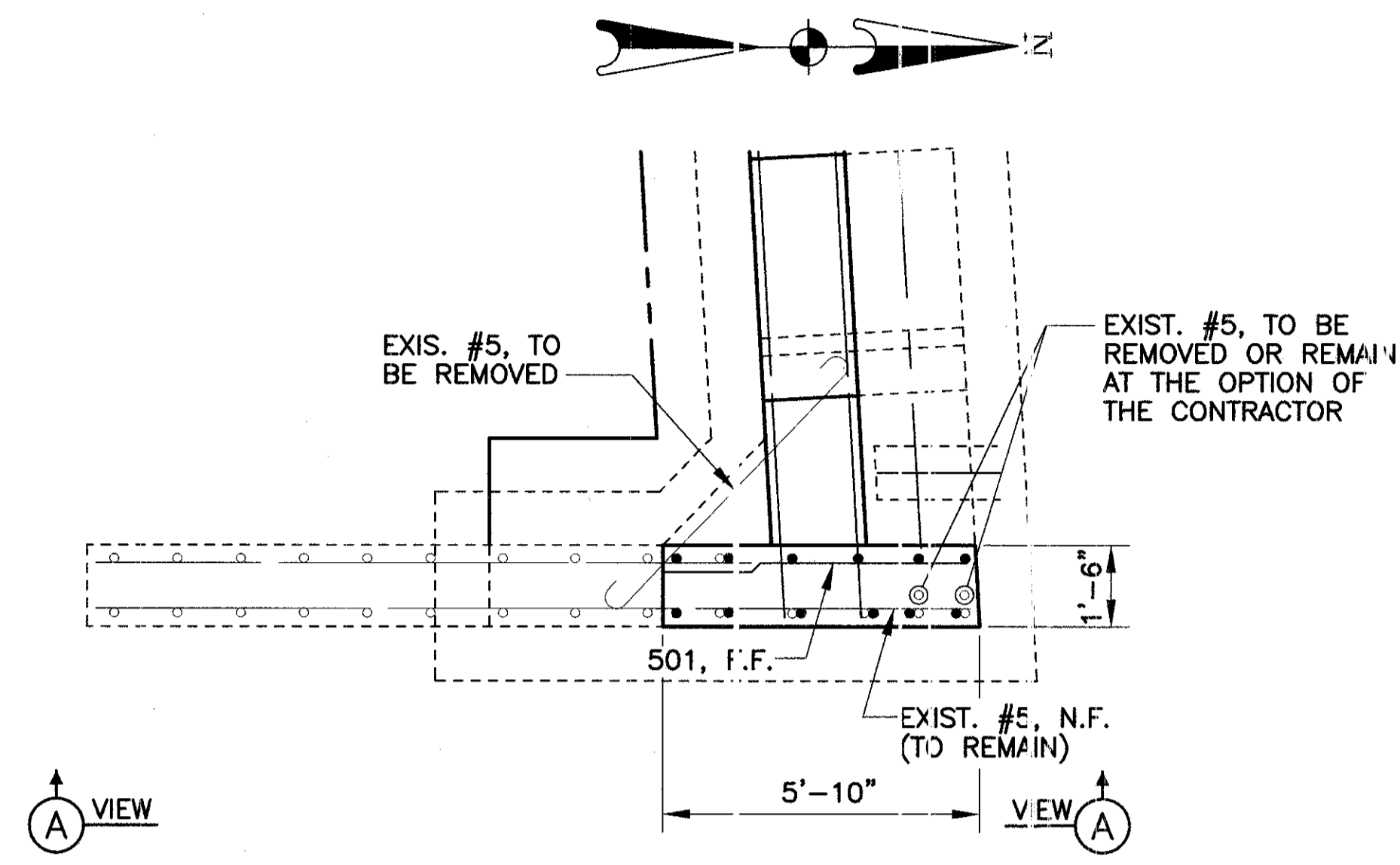
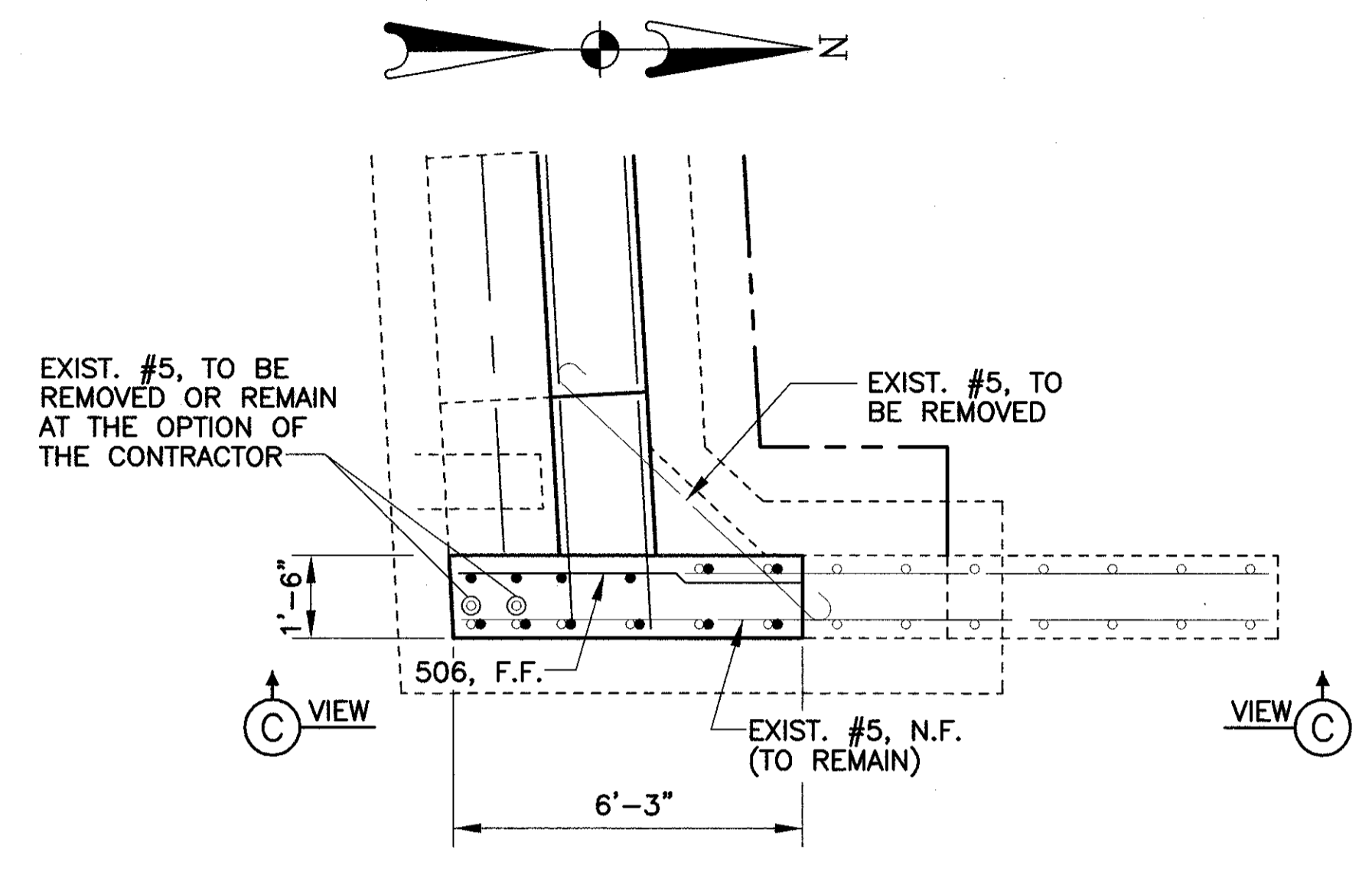


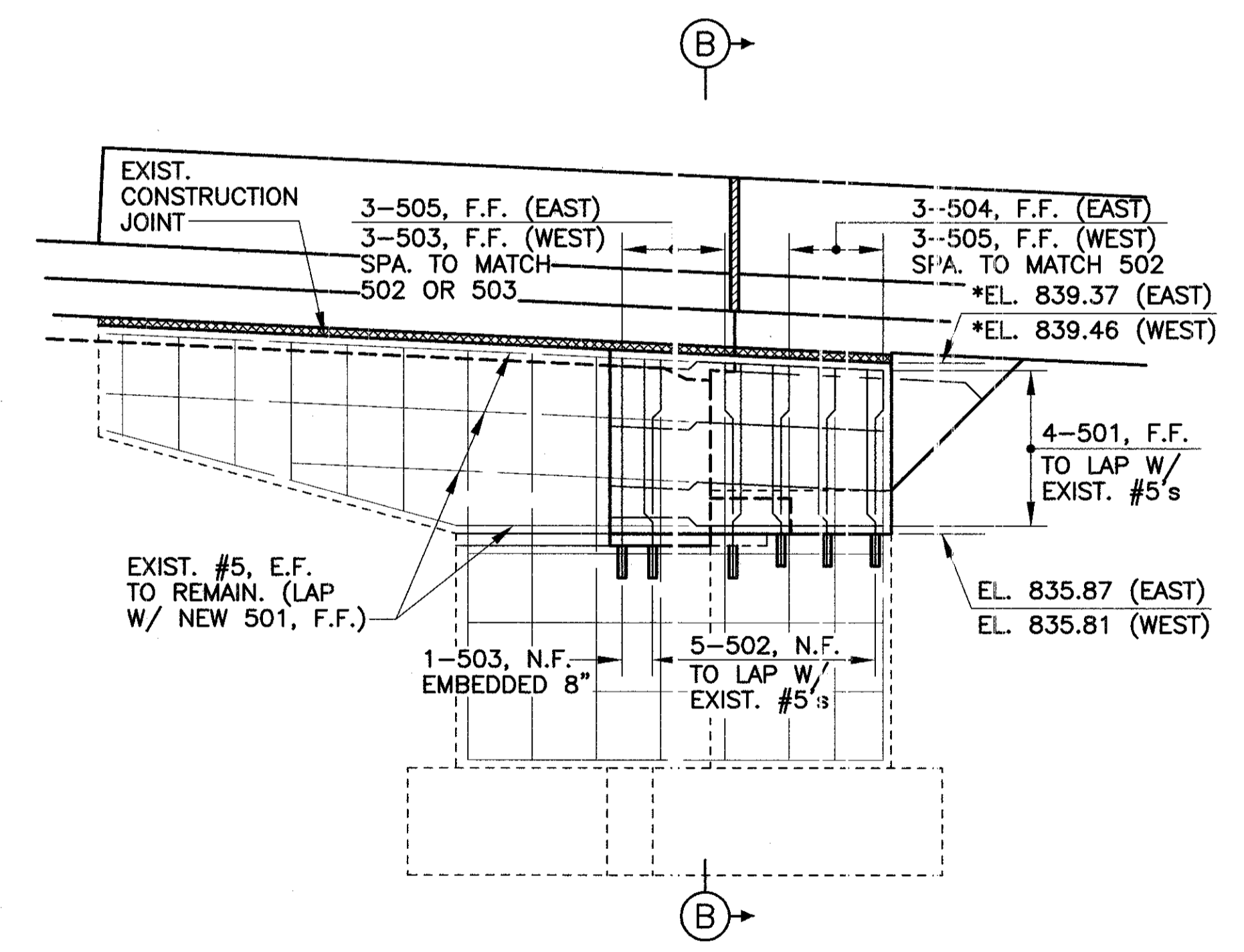
NOTES:
FOR ADDITIONAL NOTES, SEE SHEET 7 / 13



PLAN
PLAN AT REAR ABUTMENT
EAST WINGWALL SHOWN, WEST SIMILAR

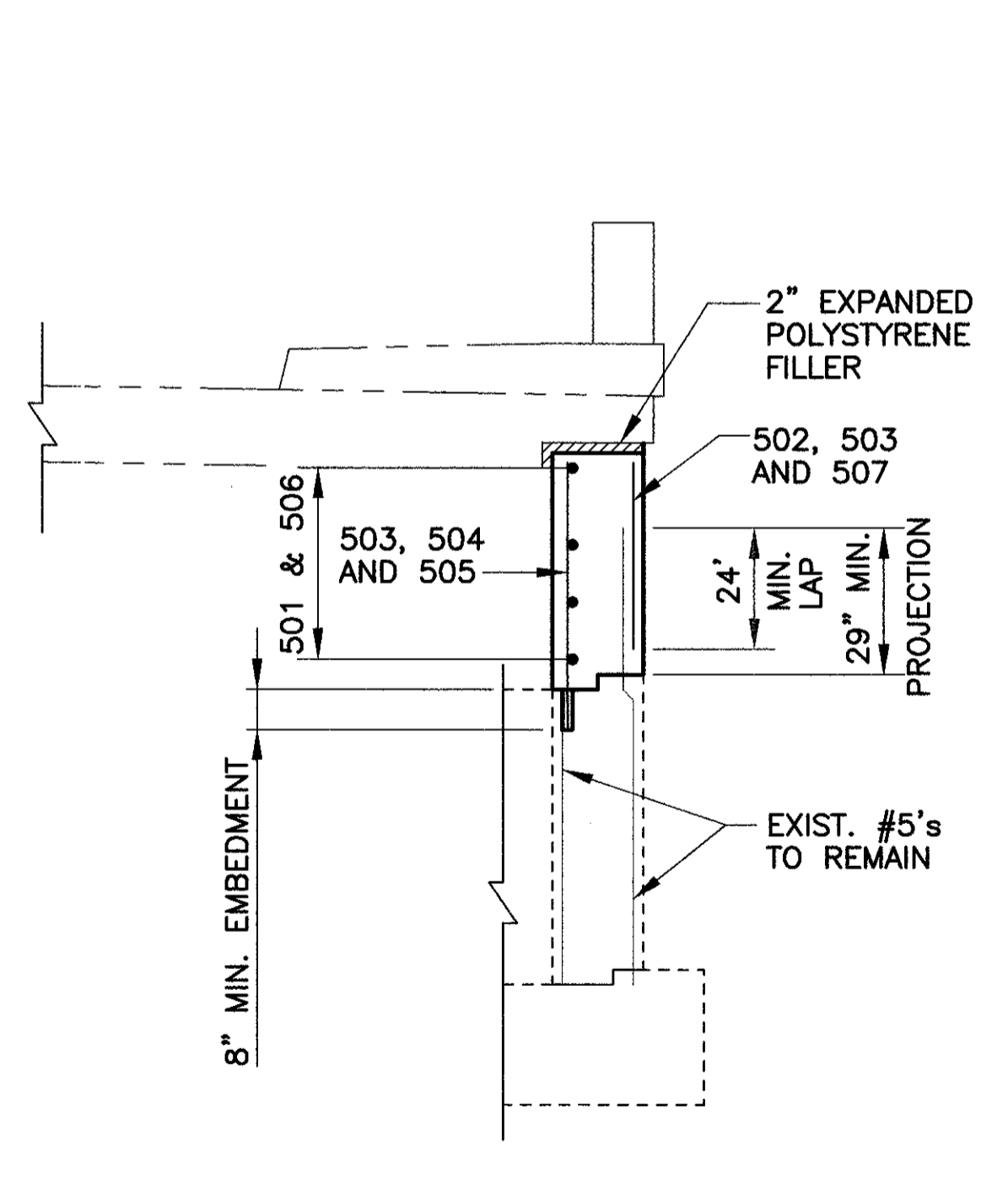


PLAN
PLAN AT FORWARD ABUTMENT
EAST WINGWALL SHOWN, WEST SIMILAR

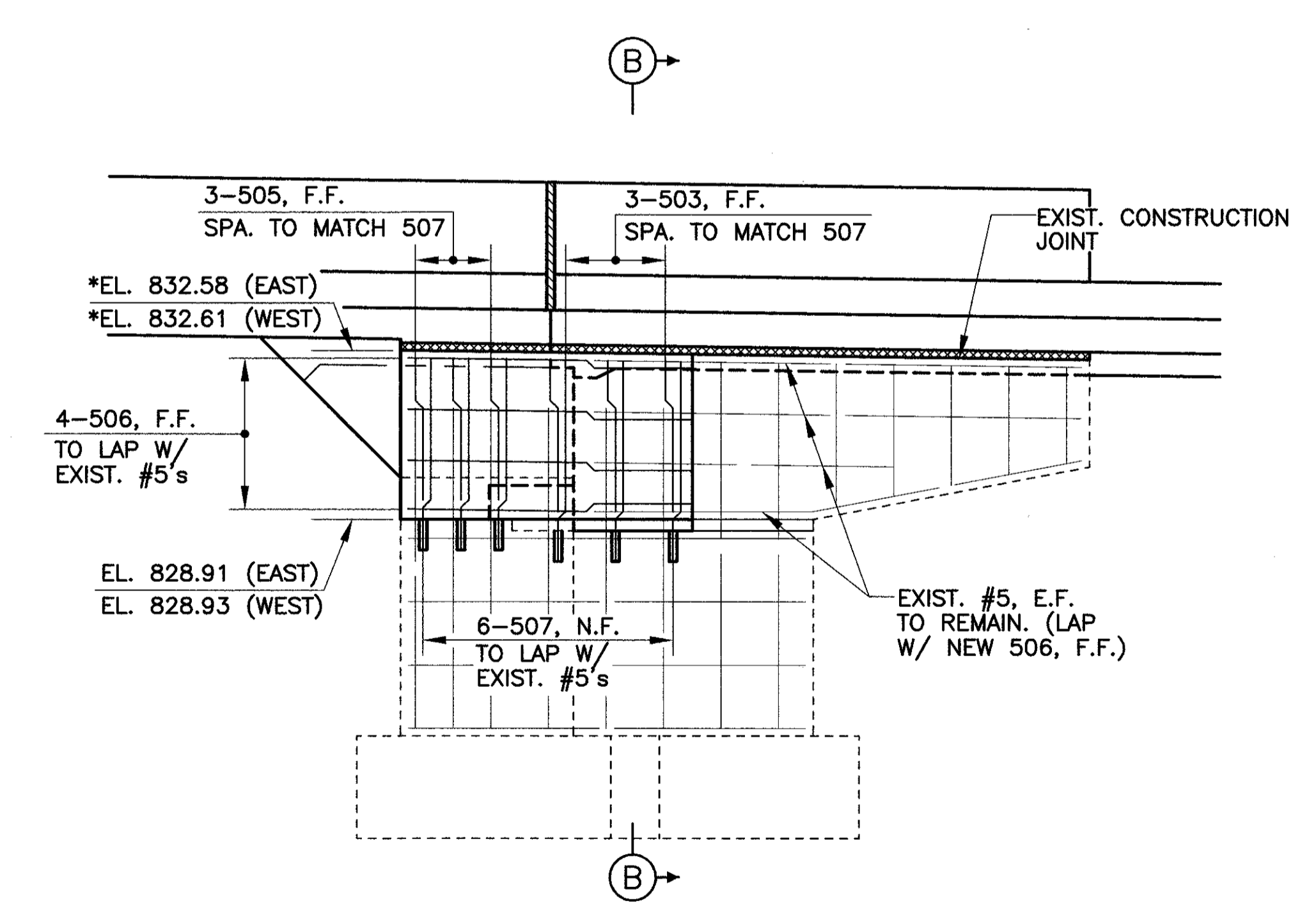


VIEW A-A
ALL CALL-OUTS ARE EAST AND WEST,
UNLESS OTHERWISE NOTED
FENCE NOT SHOWN

* CONTRACTOR TO VERIFY
ELEVATIONS SHOWN PROVIDE
FOR A STRAIGHT LINE
PROJECTION OF THE EXISTING
WINGWALL CONSTRUCTION JOINT



SECTION B-B



VIEW C-C
ALL CALL-OUTS ARE EAST AND WEST,
UNLESS OTHERWISE NOTED
HANDRAIL NOT SHOWN

* CONTRACTOR TO VERIFY
ELEVATIONS SHOWN PROVIDE
FOR A STRAIGHT LINE
PROJECTION OF THE EXISTING
WINGWALL CONSTRUCTION JOINT

G:\201108\dwg\obutment-details.dwg 12/28/01 01:53:25 PM EST
drawing scale : 3/8" = 1'-0"
plot scale : 1 = 32