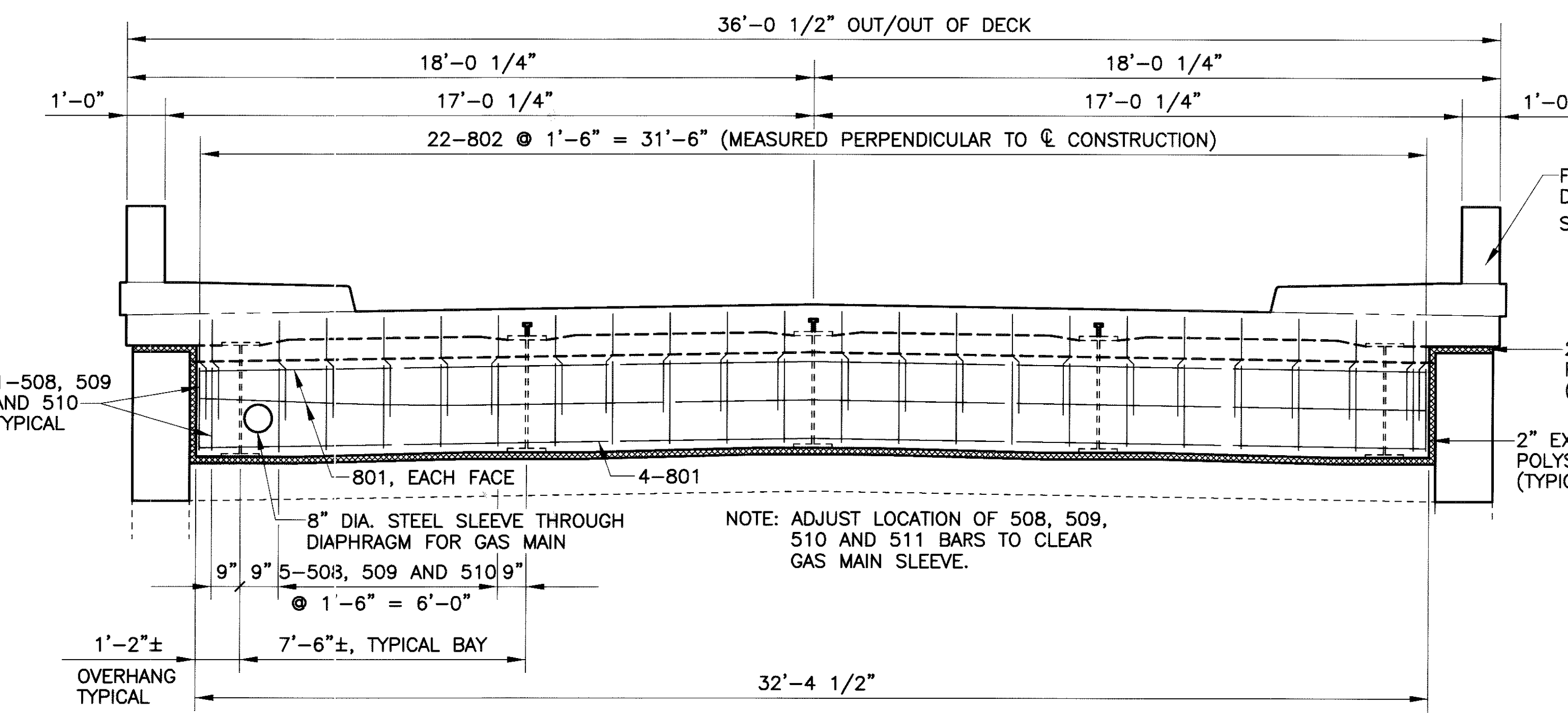
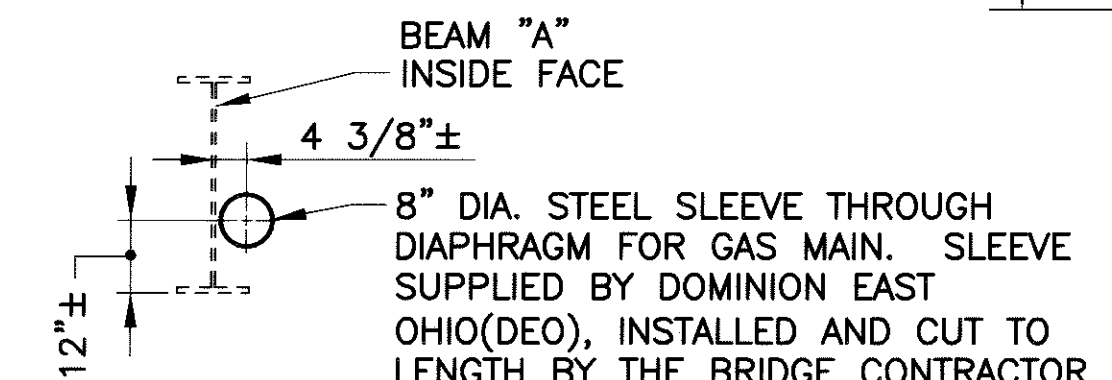


SLAB PLAN

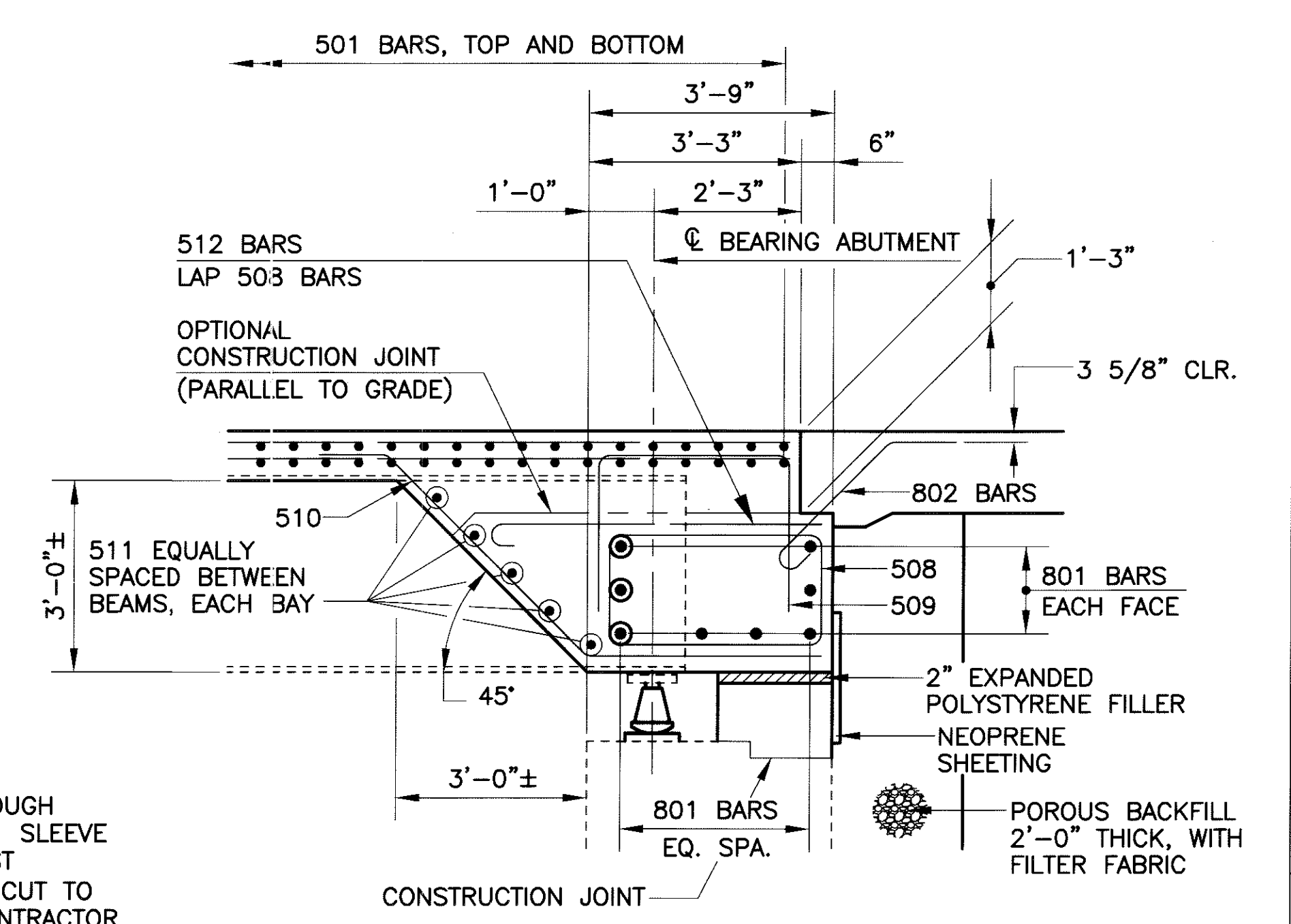


ELEVATION A-A

FORWARD ABUTMENT SHOWN, REAR ABUTMENT OPPOSITE HAND



GAS SLEEVE DETAIL



SECTION B-B

GAS MAIN SLEEVE NOT SHOWN

NOTES:

THE PREFIX "S" SHALL BE ADDED TO ALL REINFORCING BAR MARKS IN THE SUPERSTRUCTURE, UNLESS NOTED OTHERWISE.

MINIMUM BAR LAP SPLICES:
 NO. 4 BAR = 23"
 NO. 5 BAR = 29"
 NO. 6 BAR = 35"

FOR DECK SCREED ELEVATION TABLE, SEE SHEET 11/13

SEE STRUCTURE GENERAL NOTES FOR DETAILS RELATED TO PARAPET SAWCUT CONTROL JOINTS. CONTROL JOINTS SHALL NOT BE CONSTRUCTED CLOSER THAN 1'-2" FROM THE CENTER OF A FENCE OR HANDRAIL POST.

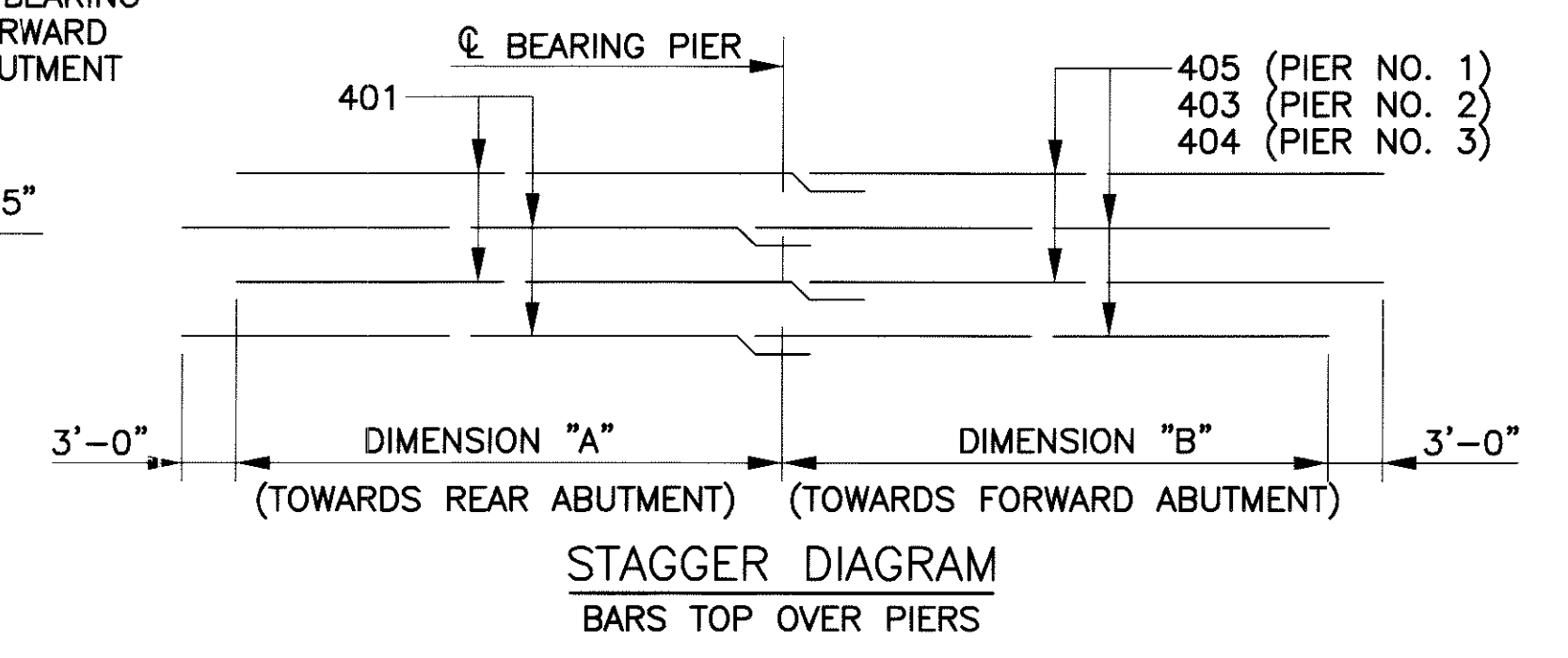
VERTICAL PARAPET REINFORCING STEEL SHALL CLEAR THE CONTROL JOINTS BY 3" MINIMUM. CLEARANCE SHALL BE OBTAINED BY FIELD ADJUSTMENT OF THE CONTROL JOINT LOCATION OR REINFORCING STEEL SPACING.

2" EXPANDED POLYSTYRENE FILLER TO BE INCLUDED WITH ITEM 844, HIGH PERFORMANCE CONCRETE FOR PAYMENT.

FOR HAND RAIL DETAIL, SEE SHEET 10/13

DIMENSION TABLE
BARS TOP OVER PIERS

LOCATION	DIM "A"	DIM "B"
PIER NO. 1	22'-0"	22'-0"
PIER NO. 2	25'-0"	25'-0"
PIER NO. 3	20'-0"	23'-0"



G:\201108\dwg\tracing sub shts rev\adache-slab-plan.dwg 01/15/02 02:32:38 PM EST
 drawing scale: 1/8" = 1'-0"
 plot scale: 1" = 8'