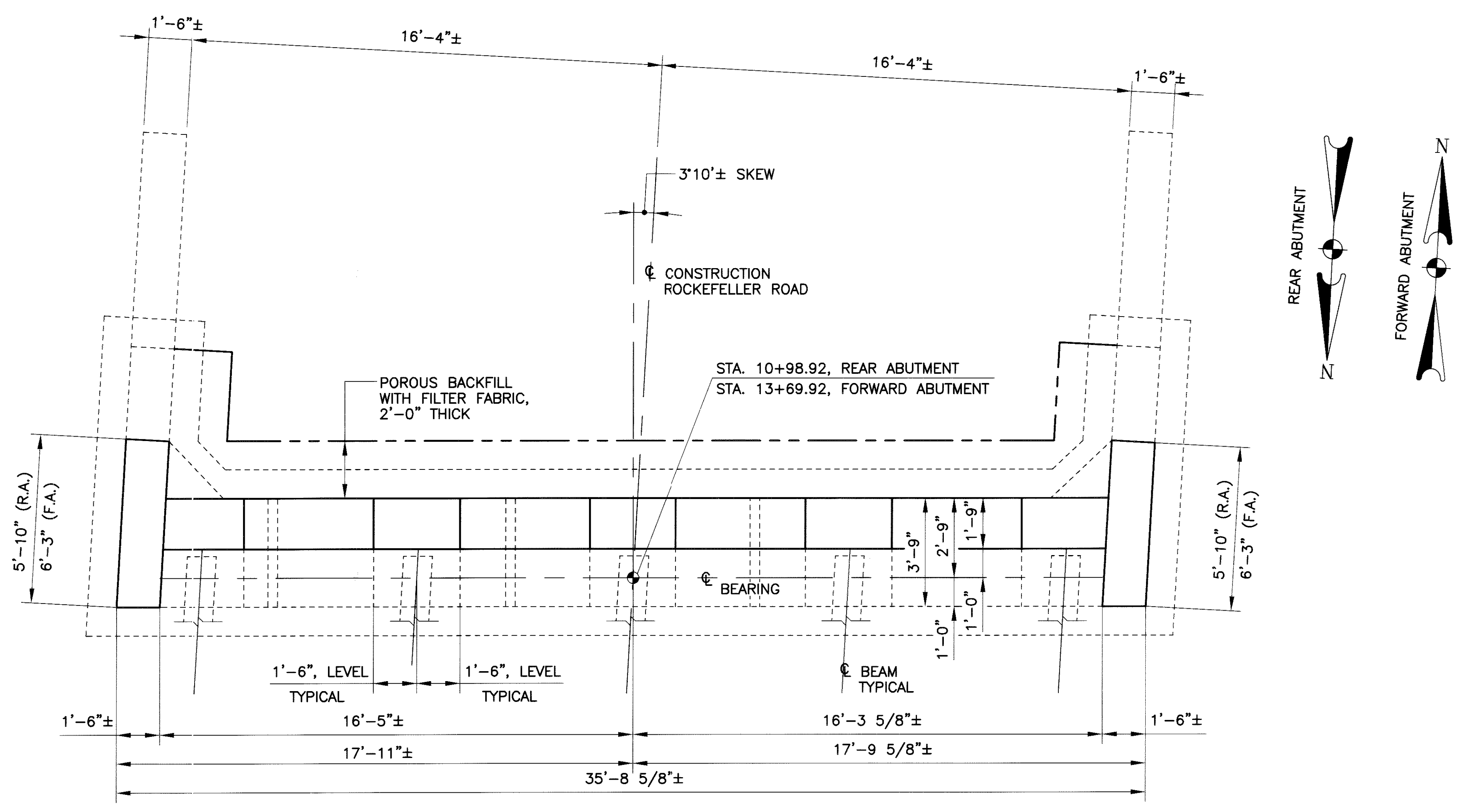
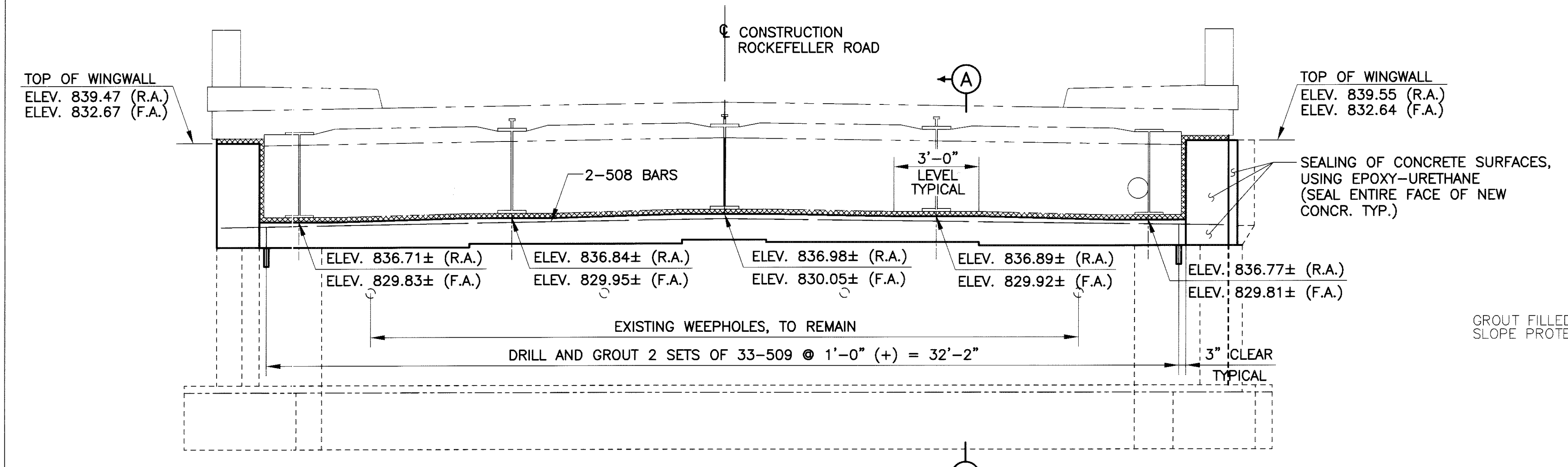


NOTES:

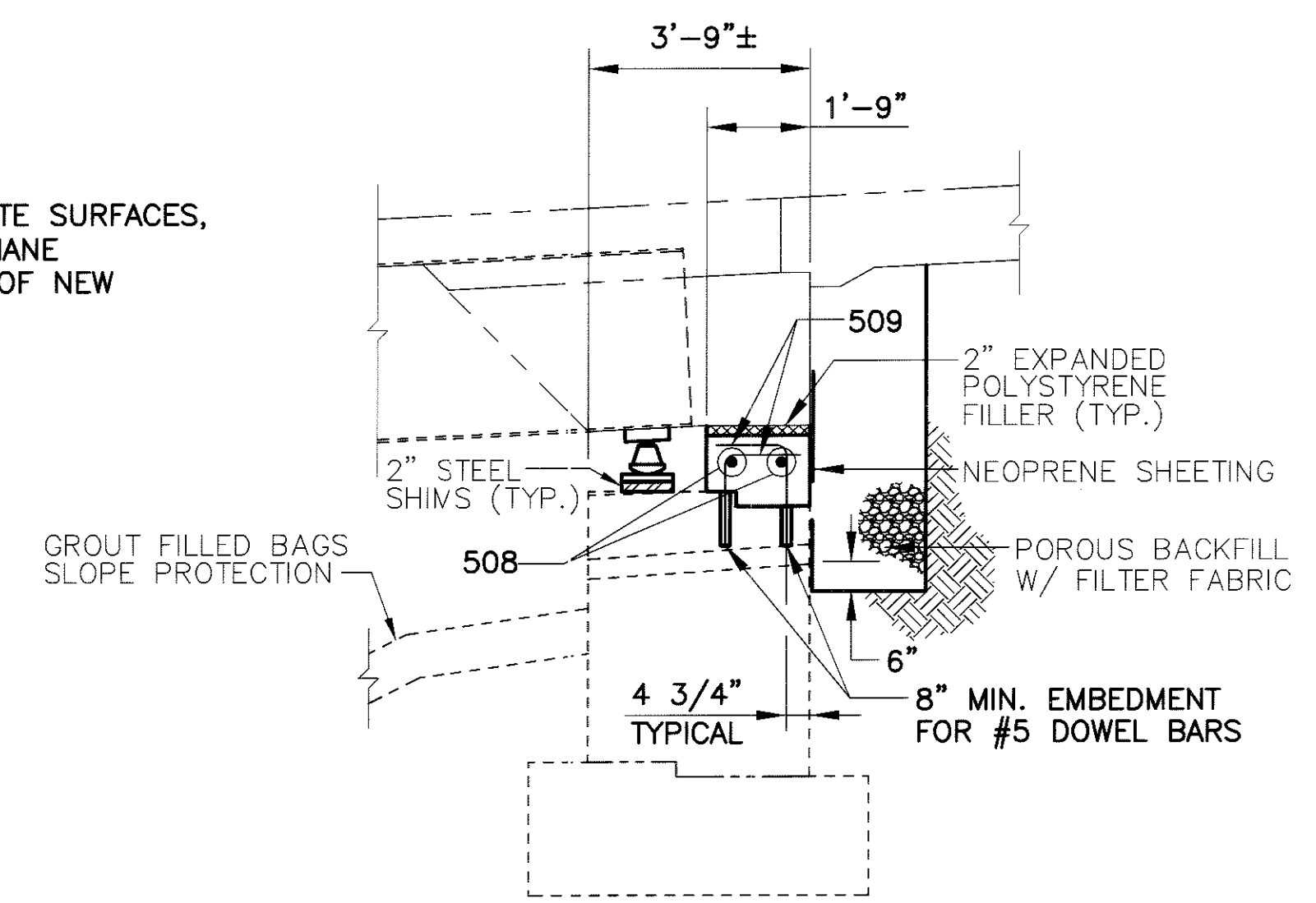
ELEVATIONS SHOWN ARE TO ϕ BEARING ABUTMENT OR TO FACE OF BACKWALL.
THE PREFIX 'A' SHALL BE ADDED TO ALL BAR MARKS FOR THE FORWARD ABUTMENT.
ABBREVIATIONS USED ARE:
ELEV. = ELEVATION
R.A. = REAR ABUTMENT
F.A. = FORWARD ABUTMENT
CONCR. = CONCRETE
TYP. = TYPICAL



PLAN
SUPERSTRUCTURE NOT SHOWN



ELEVATION
REAR ABUTMENT SHOWN,
FORWARD ABUTMENT, SIMILAR



SECTION A-A

G:\201108\dwg\cache-abutment-plan.dwg 12/28/01 10:54:18 AM EST
drawing scale : 3/8" = 1'-0"
plot scale : 1" = 32'