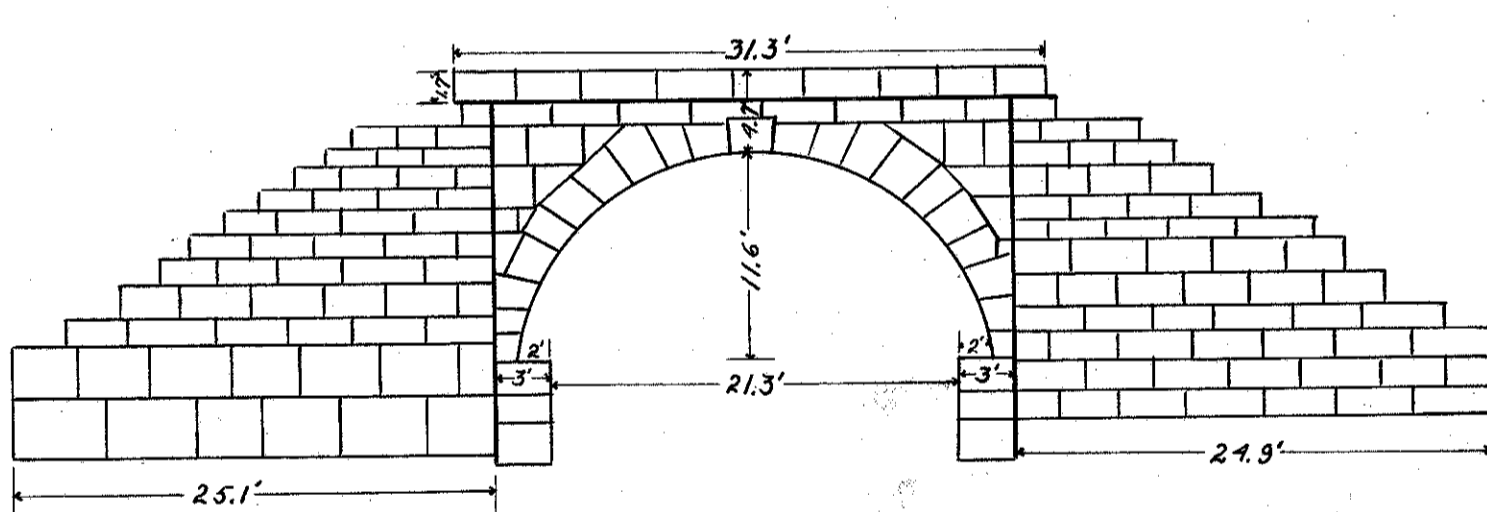
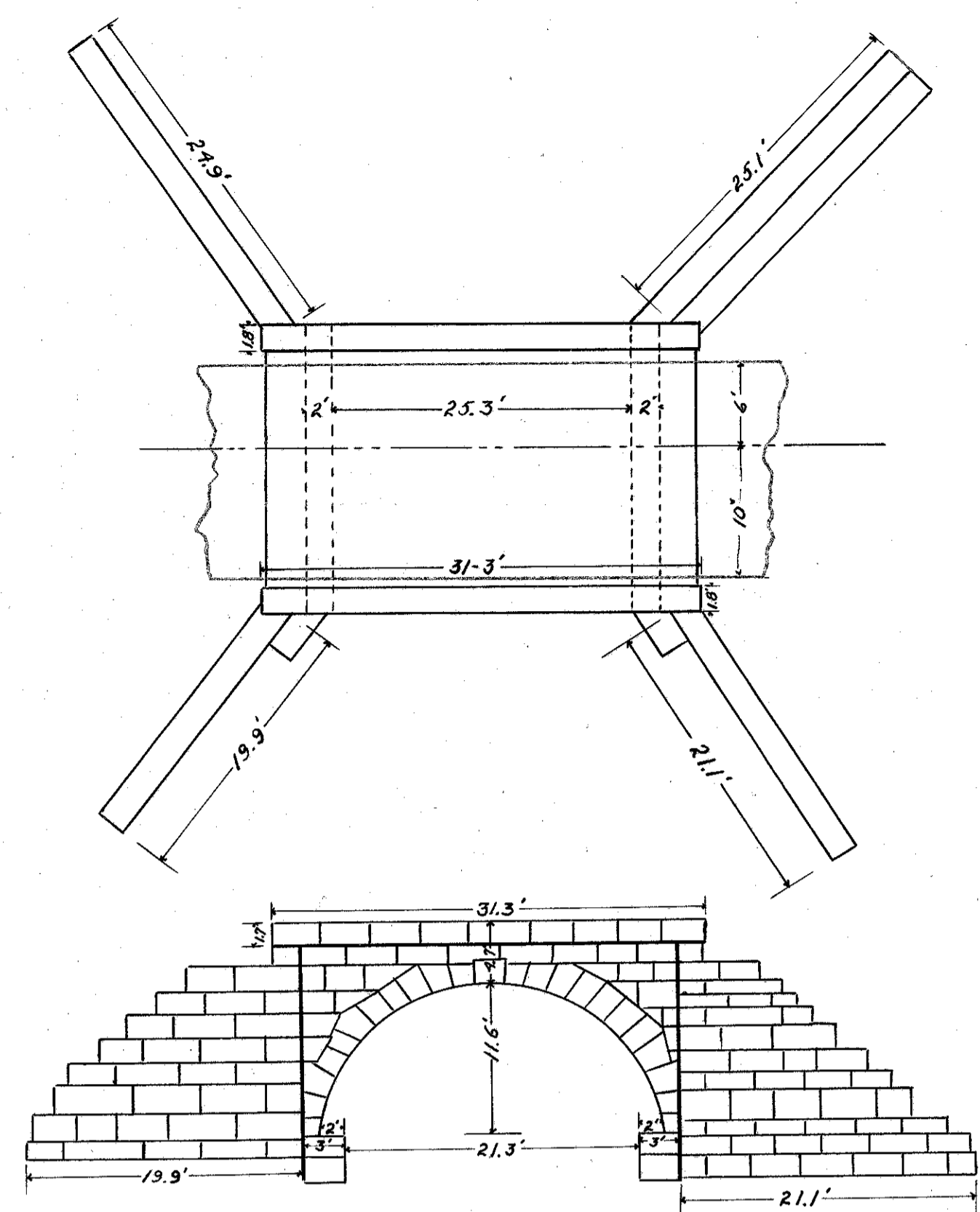
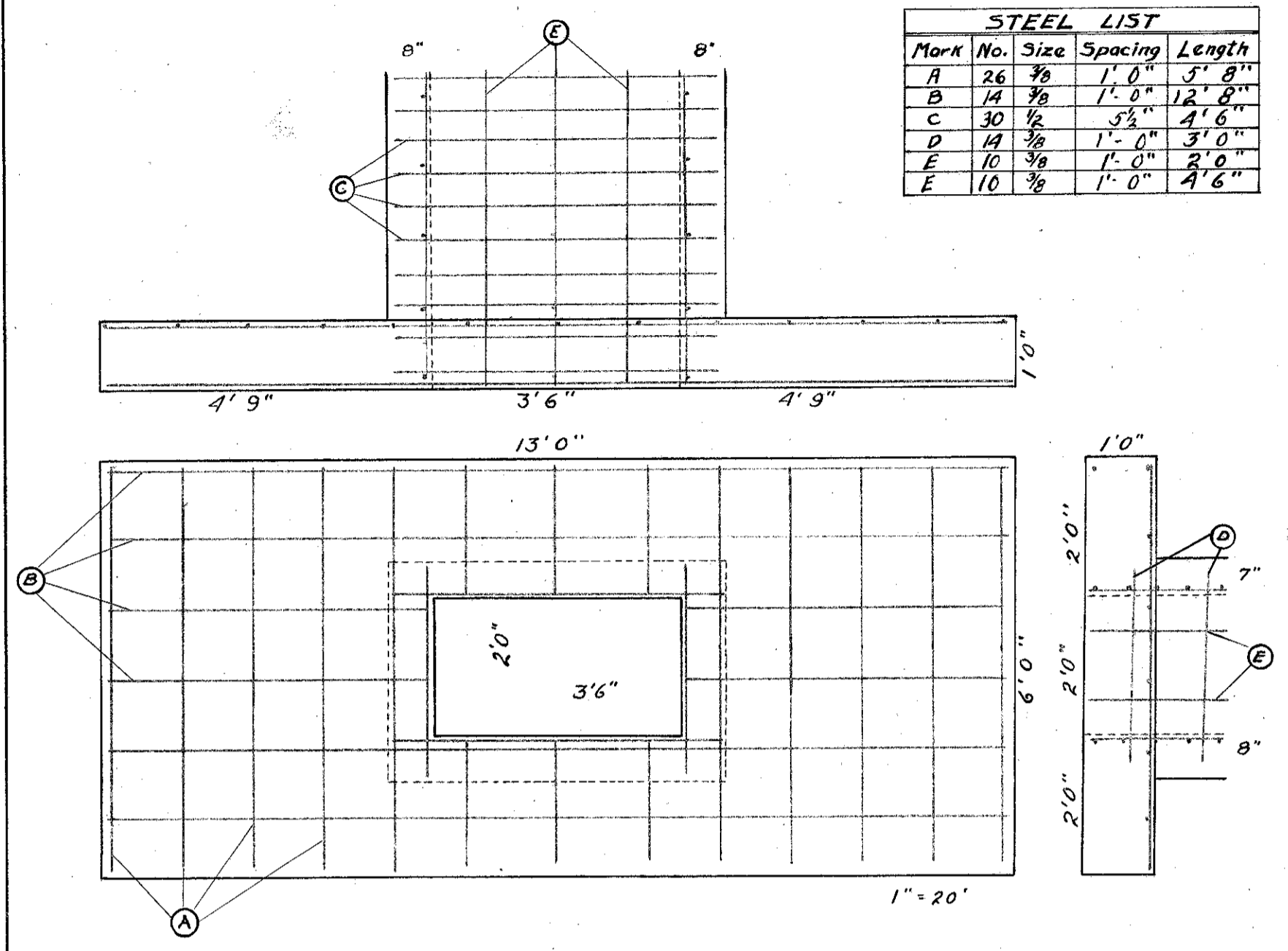


ICH 153 SEC. H  
LAKE COUNTY

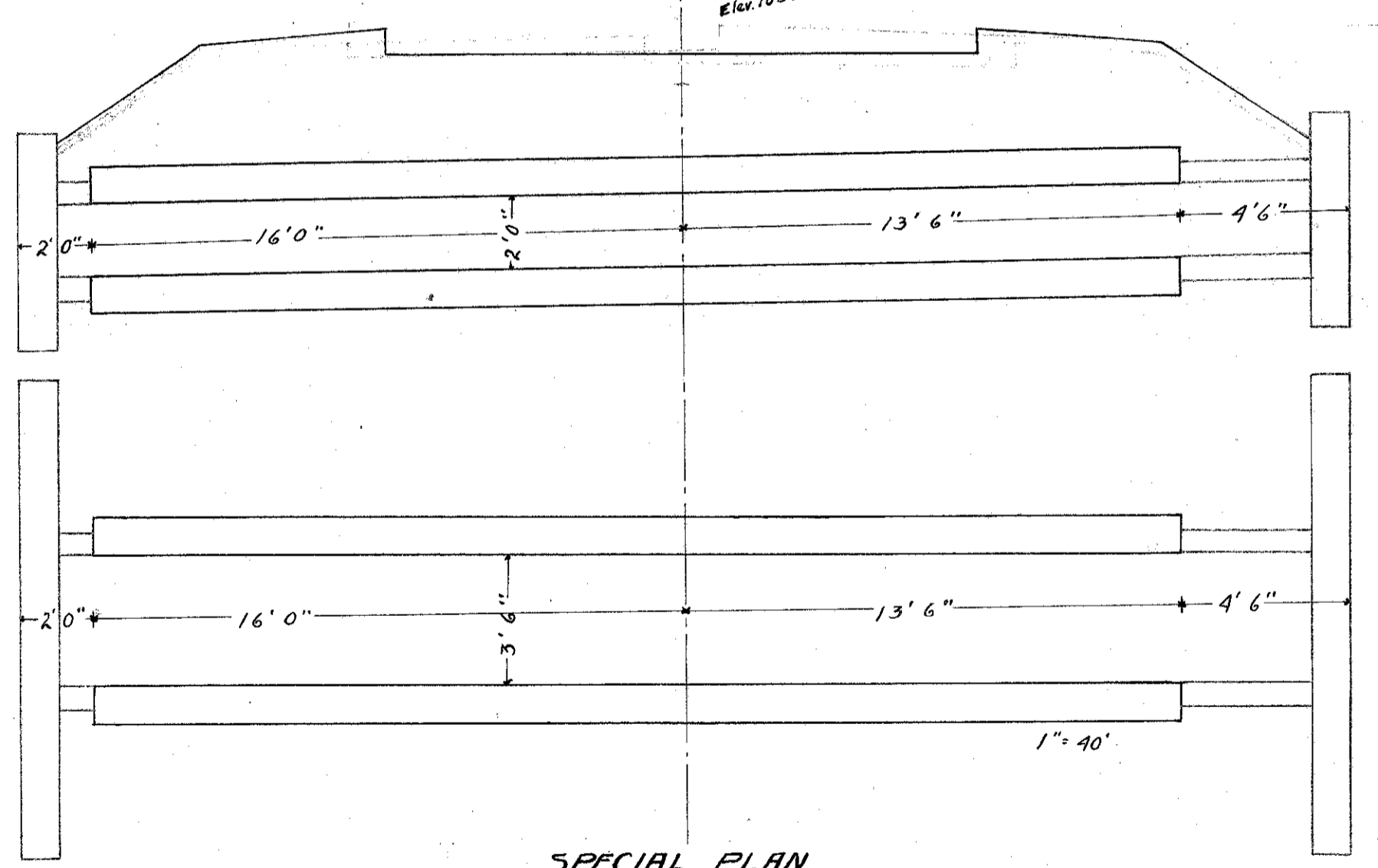


STA. 75+00  
NO WORK REQUIRED ON  
STONE ARCH BRIDGE.

Mark No.	Size	Spacing	Length
A	26	3/8"	11' 0"
B	14	3/8"	1' 0"
C	30	1/2"	5 1/2"
D	14	3/8"	1' 0"
E	10	3/8"	1' 0"

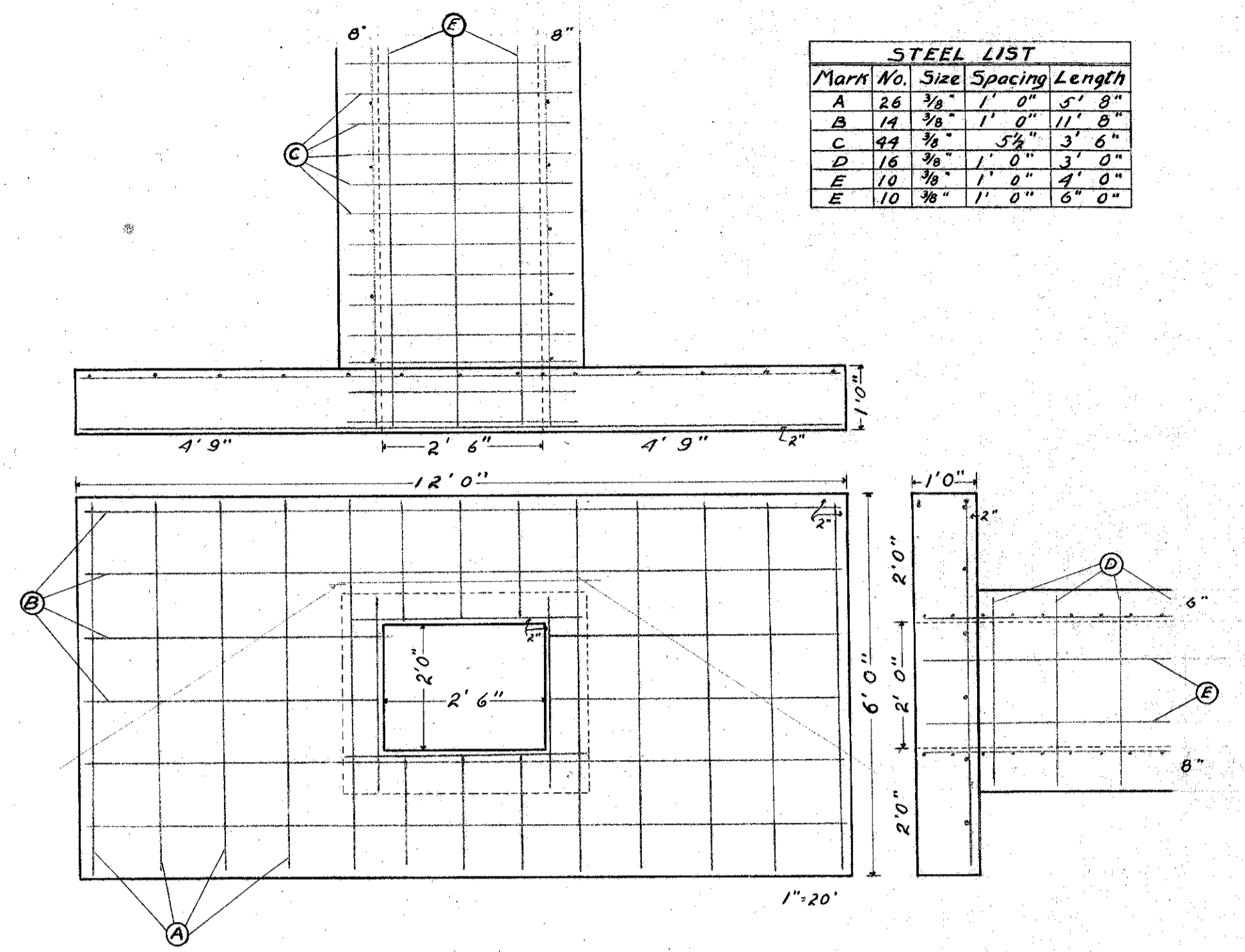


ESTIMATED QUANTITIES	
Excavation	3 cu. yds.
Concrete 12-4	6.6 cu. yds.
Reinforcing Steel	223 lbs.

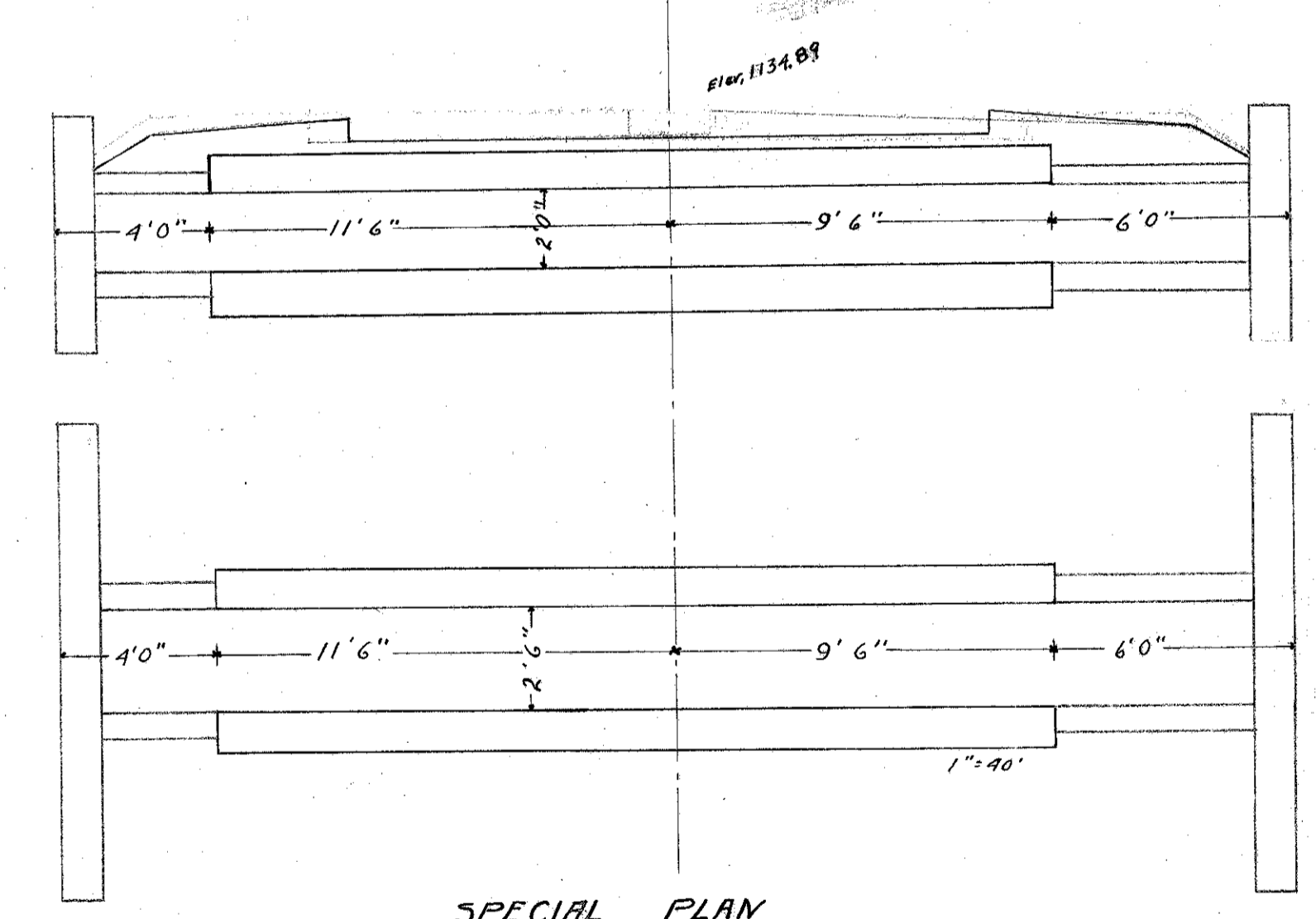


SPECIAL PLAN  
EXTENSION FOR 3 1/2' x 2' STONE CULVERT STA. 81+07

Mark No.	Size	Spacing	Length
A	26	3/8"	1' 0"
B	14	3/8"	1' 0"
C	44	3/8"	5 1/2"
D	16	3/8"	1' 0"
E	10	3/8"	1' 0"

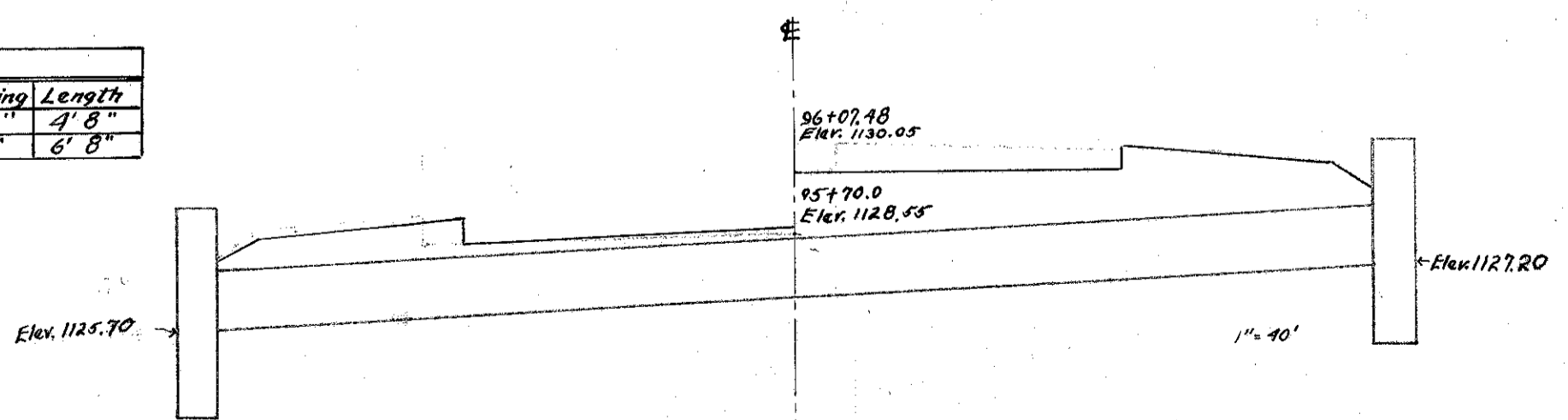
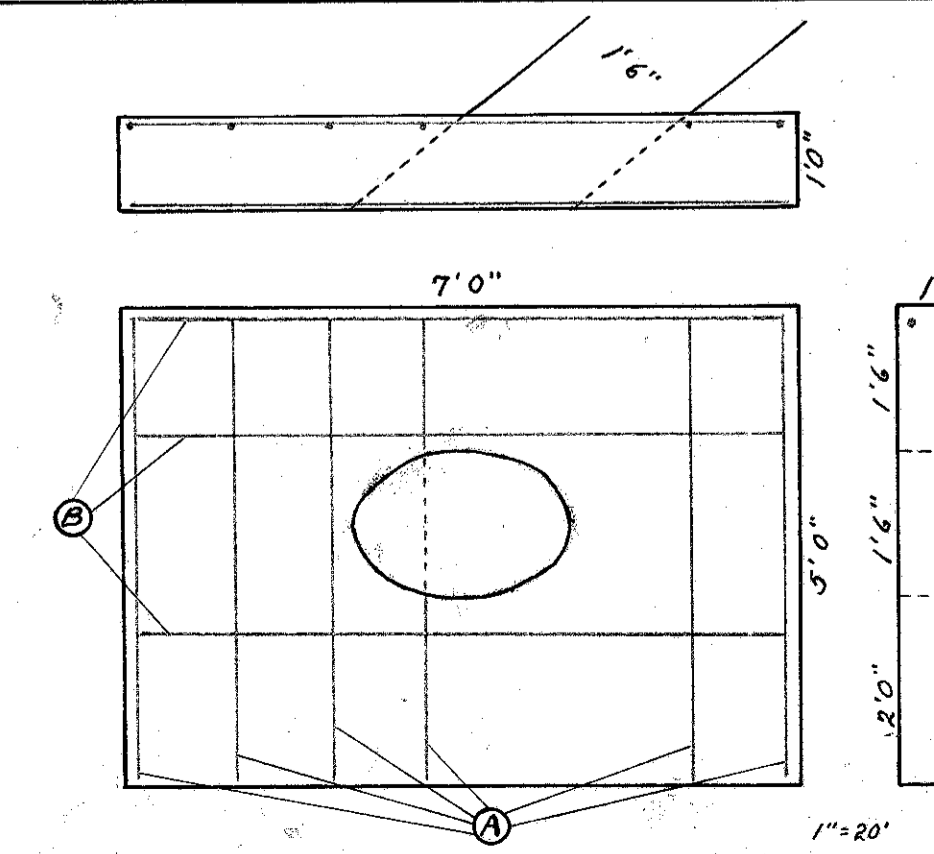


ESTIMATED QUANTITIES	
Excavation	3 cu. yds.
Concrete 12-4	7.1 cu. yds.
Reinforcing Steel	291 lbs.

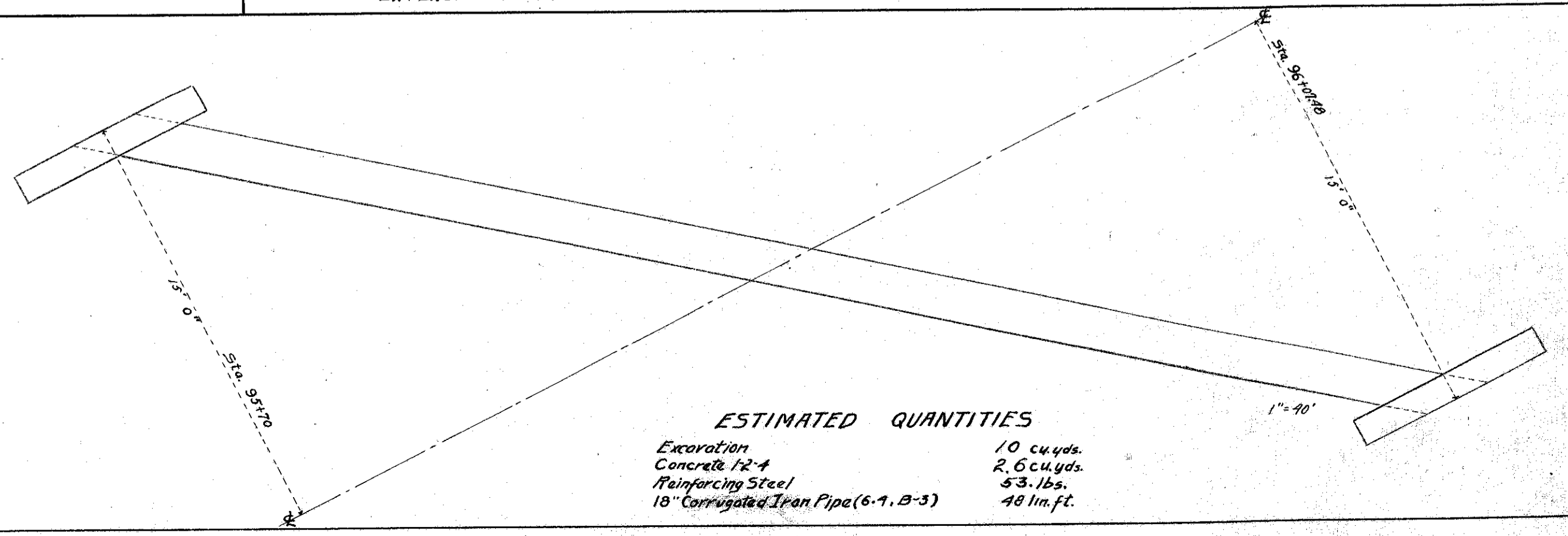


SPECIAL PLAN  
EXTENSION FOR 2 1/2' x 2' STONE CULVERT STA. 100+35

Mark No.	Size	Spacing	Length
A	12	3/8"	1' 0"
B	8	3/8"	1' 0"



SPECIAL PLAN  
18" CORR. IRON PIPE CULVERT STA. 96+00



ESTIMATED QUANTITIES	
Excavation	10 cu. yds.
Concrete 12-4	2.6 cu. yds.
Reinforcing Steel	53 lbs.
18" Corrugated Iron Pipe (6-1, B-3)	48 lin. ft.