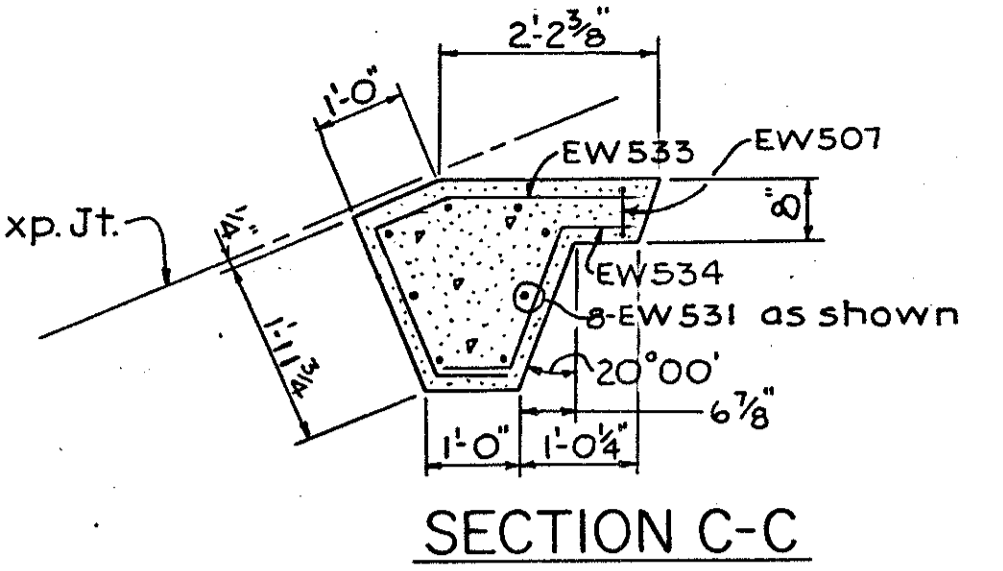
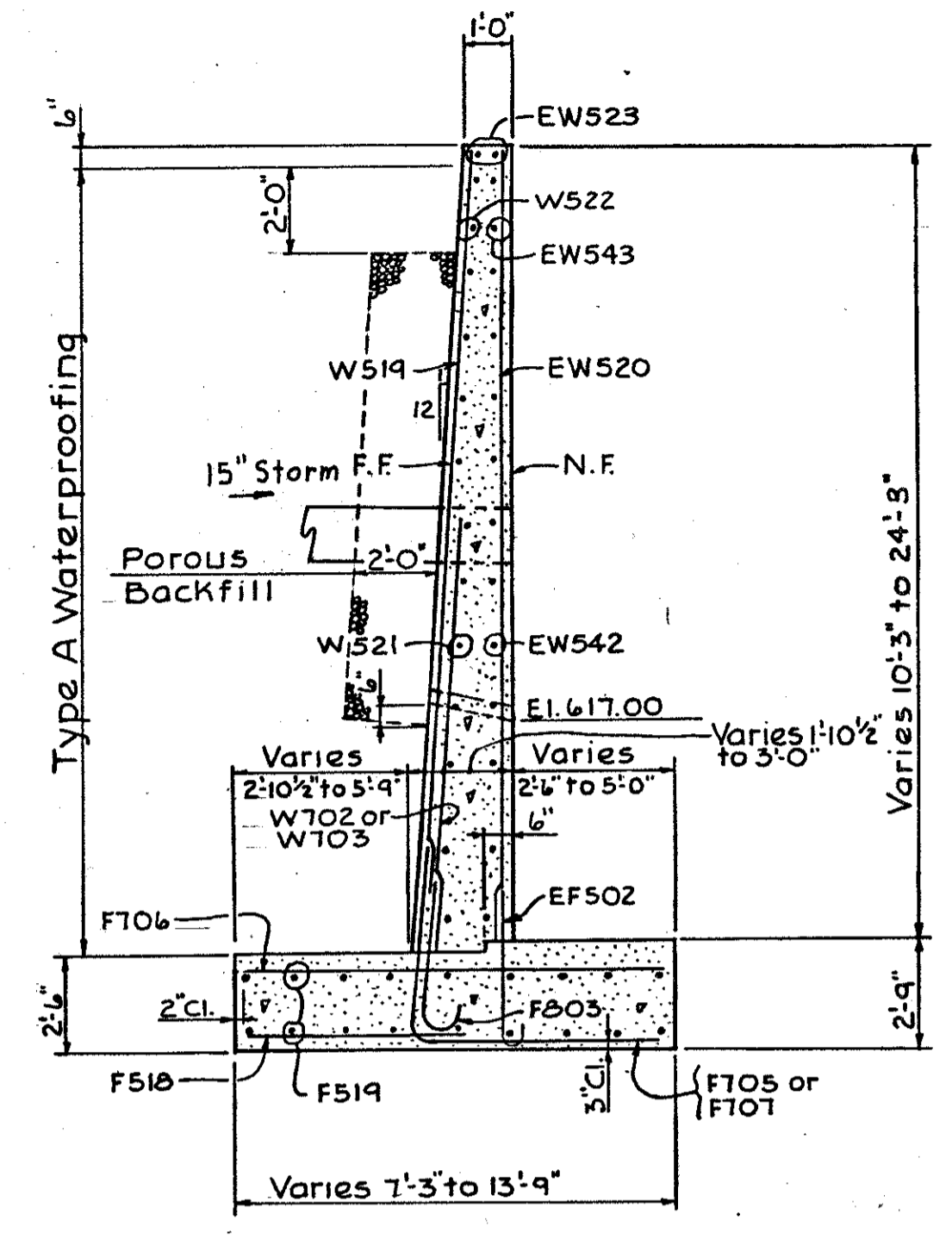


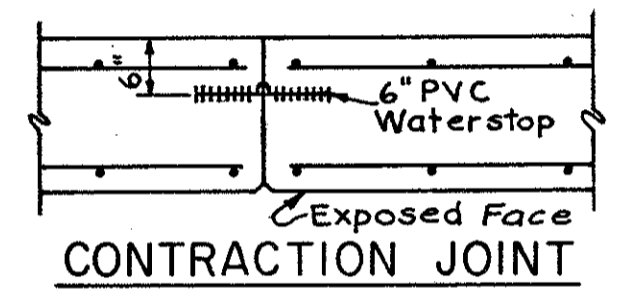
PLAN



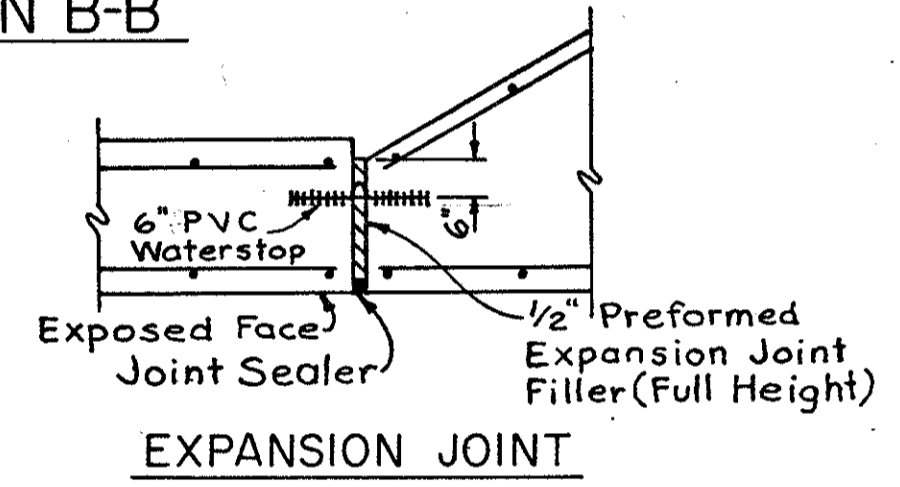
SECTION C-C



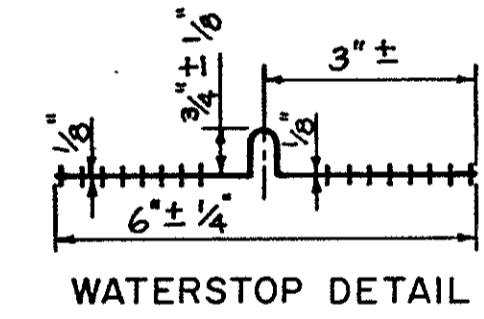
SECTION B-B



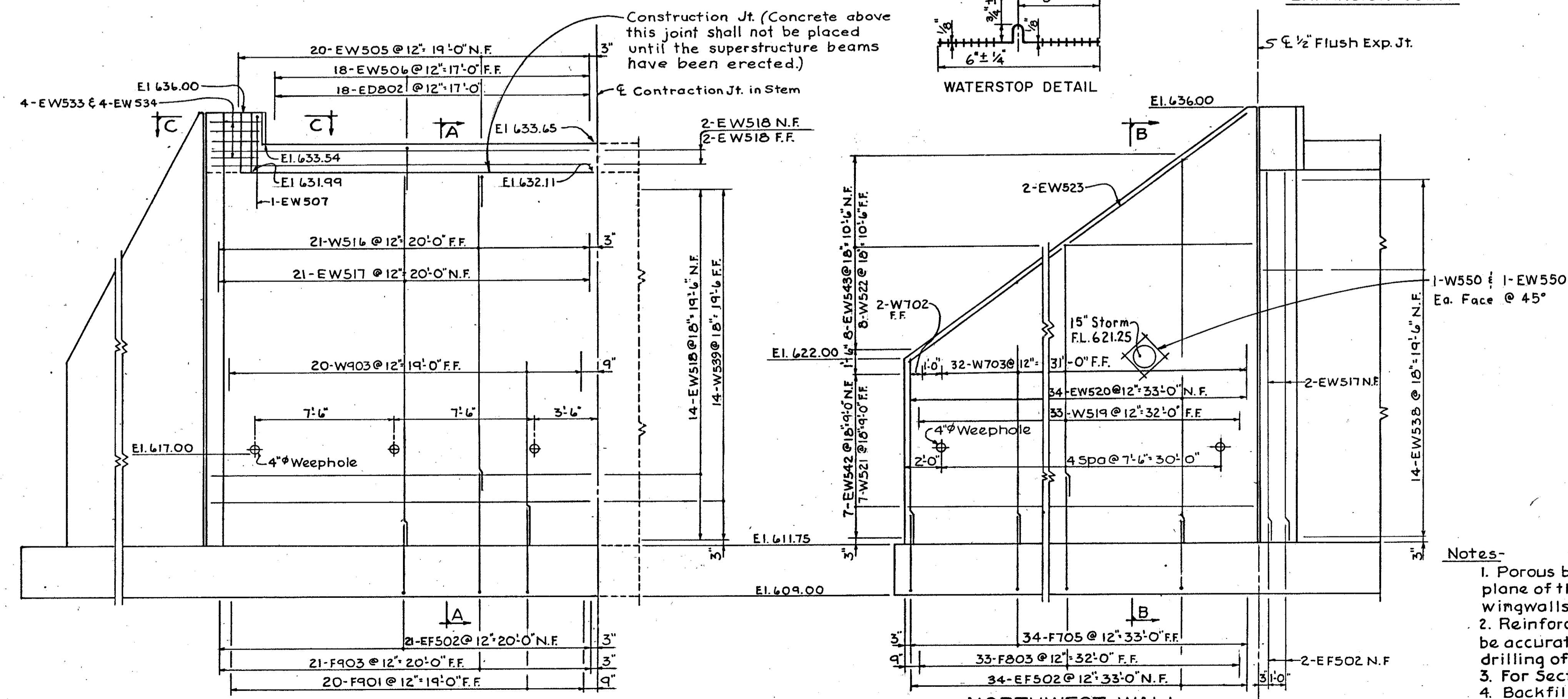
CONTRACTION JOINT



EXPANSION JOINT



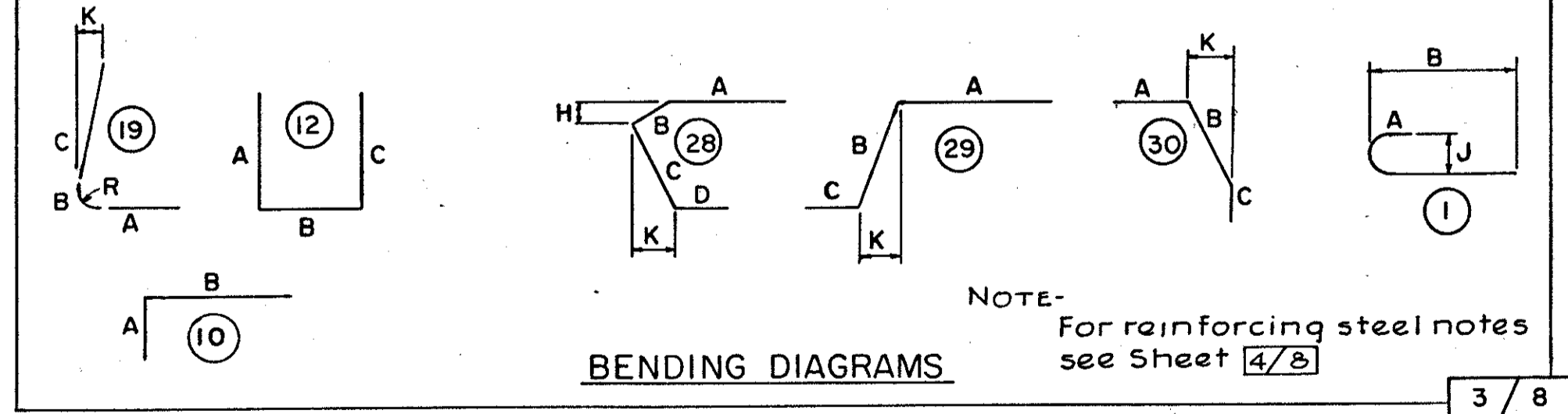
WATERSTOP DETAIL



ELEVATION

NORTHWEST WALL

MARK	SIZE	NO.	LENGTH	WEIGHT	TYPE	BENT BAR DIMENSIONS											REMARKS
						A	B	C	D	H	J	K	R				
NORTHWEST SECTION																	
EF502	5	57	4'-6"	268	I	7"	3'-6"									5"	
F514	5	21	10'-5"	228	STR.												
F515	5	3	5'-11"	19	STR.												2 SETS OF 8 BARS AT 1'-5" INCR.
F516	5	16	4'-5" to 2'-4"	323	STR.												
F517	5	6	5'-11"	37	STR.												1 SET OF 34 BARS AT 1'-5" INCR.
F518	5	34	3'-8" to 4'-5"	179	STR.												2 SETS OF 9 BARS AT 7'-2" INCR.
F519	5	18	35'-0" to 40'-0"	706	STR.												
F704	7	23	10'-5"	494	STR.												
F705	7	34	7'-5" to 10'-10"	634	STR.	3'-0"	1'-7"	2'-9"									1 SET OF 34 BARS AT 1'-5" INCR.
F706	7	34	6'-6" to 13'-5"	694	STR.												1 SET OF 34 BARS AT 2'-2" INCR.
F707	7	6	5'-6"	67	STR.												
F803	8	33	4'-8"	588	I	11"	5'-9"									8"	
F901	9	20	6'-0"	408	I	1'-3"	4'-9"									11 1/2"	
F903	9	21	13'-4"	952	19	6'-6"	1'-7"	5'-3"									0" 12"
W550	5	4	2'-0"	8	STR.												FIELD CUT REINF. TO CLEAR 15" STORM
EW550	5	4	2'-0"	8	STR.												
EW505	5	20	3'-4"	69	10	1'-6"	1'-11"										
EW506	5	18	2'-11"	55	10	2'-8"	4"										
EW507	5	1	9'-9"	10	12	4'-10"	4"	4'-10"									
W516	5	21	17'-0"	372	STR.												
EW517	5	23	20'-0"	480	STR.												
EW518	5	18	19'-9"	371	STR.												
W519	5	33	7'-9" to 2'-10"	542	STR.												1 SET OF 33 BARS AT 5" INCR.
EW520	5	34	10'-3" to 2'-0"	607	STR.												1 SET OF 34 BARS AT 5" INCR.
W521	5	7	33'-8"	246	STR.												
W522	5	8	4'-7" to 32'-0"	153	STR.												1 SET OF 8 BARS AT 3'-11" INCR.
EW523	5	2	3'-0"	75	STR.												
EW531	5	8	5'-0"	42	STR.												
EW533	5	4	5'-0"	21	28	1'-10"	10	1'-9"	8"	3'-2"	7'-2"						
EW534	5	4	2'-10"	12	29	6"	1'-8"	8"			7"						
EW538	5	14	3'-3"	47	30	1'-6"	1'-9"	0"			7"						
W539	5	14	19'-9"	288	STR.												
EW542	5	7	33'-8"	246	STR.												
EW543	5	8	4'-7" to 32'-0"	153	STR.												1 SET OF 8 BARS AT 3'-11" INCR.
W702	7	2	10'-0"	41	STR.												
W703	7	32	11'-0"	719	STR.												
ED802	8	18	4'-0"	192	30	1'-0"	2'-0"	1'-0"									1'-5"
W903	9	20	11'-0"	748	STR.												



NOTE: For reinforcing steel notes see sheet 4/8

Notes-

1. Porous backfill, two feet thick, shall extend up to the plane of the subgrade and laterally to the ends of the wingwalls.
2. Reinforcing steel in the vicinity of the bridge seat shall be accurately placed to avoid interference with the drilling of anchor bolt holes.
3. For Section A-A see Sheet 4/8
4. Backfill shall not be placed above El. 620.0 until the superstructure beams are erected.

CAPITOL ENGINEERING ASSOCIATES
CONSULTING CIVIL ENGINEERS
PAINESVILLE, OHIO

NORTH ABUTMENT
NORTHWEST SECTION
STAGE I
BRIDGE NO. LAK-86-0229
OVER BIG CREEK
LAKE COUNTY STA 9+72.88 TO STA 10+40.12

DESIGNED	DRAWN	TRACED	CHECKED	REVIEWED	DATE	REVISED
TAP	DPR	✓	NE	EM	11/18/87	

Rev. 9-18-84