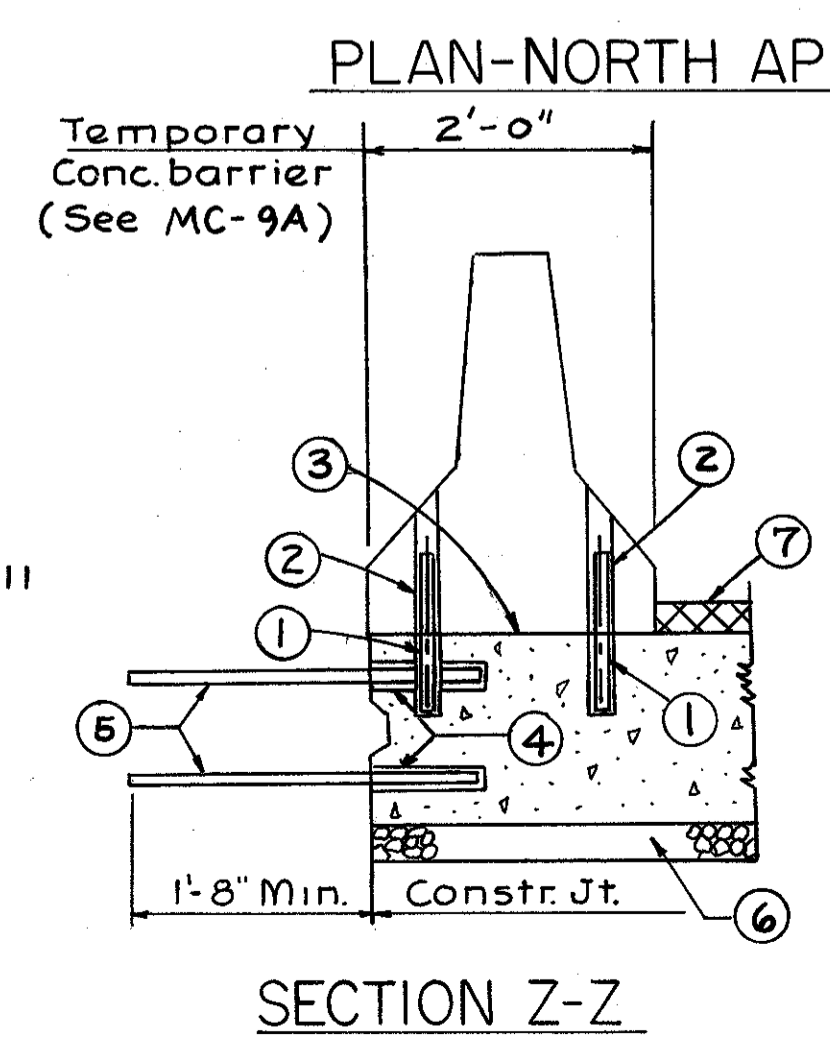
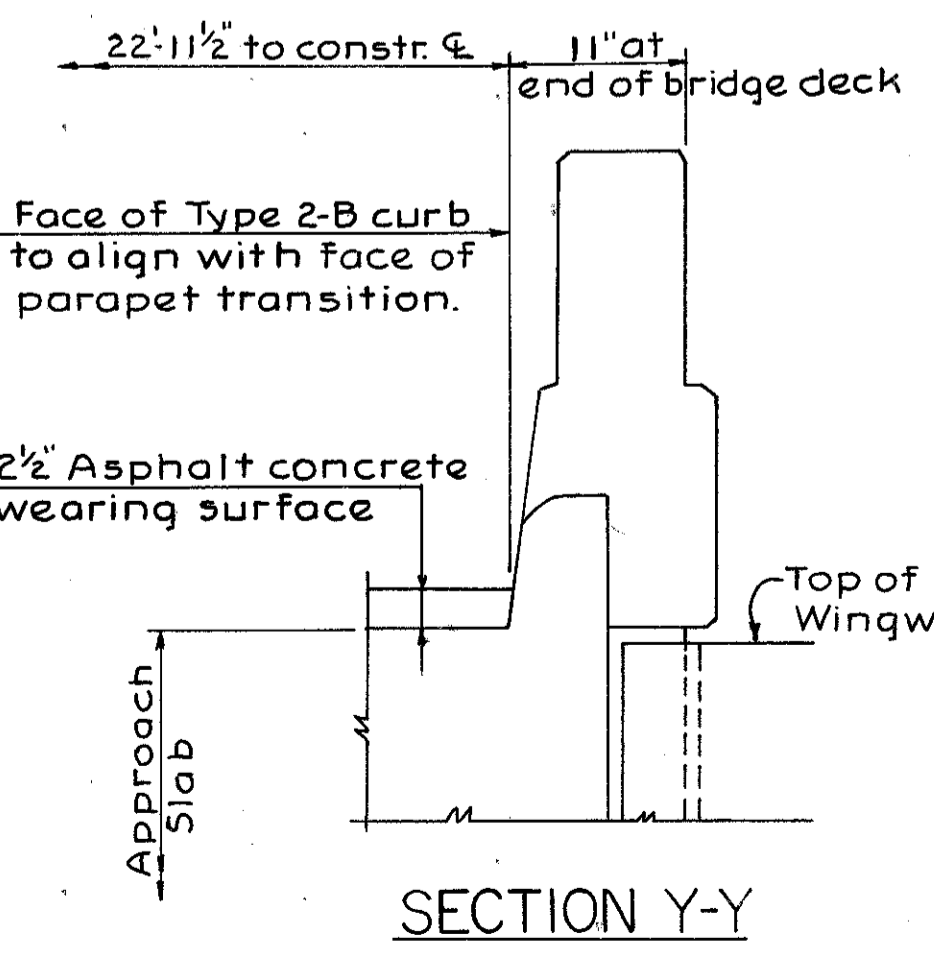
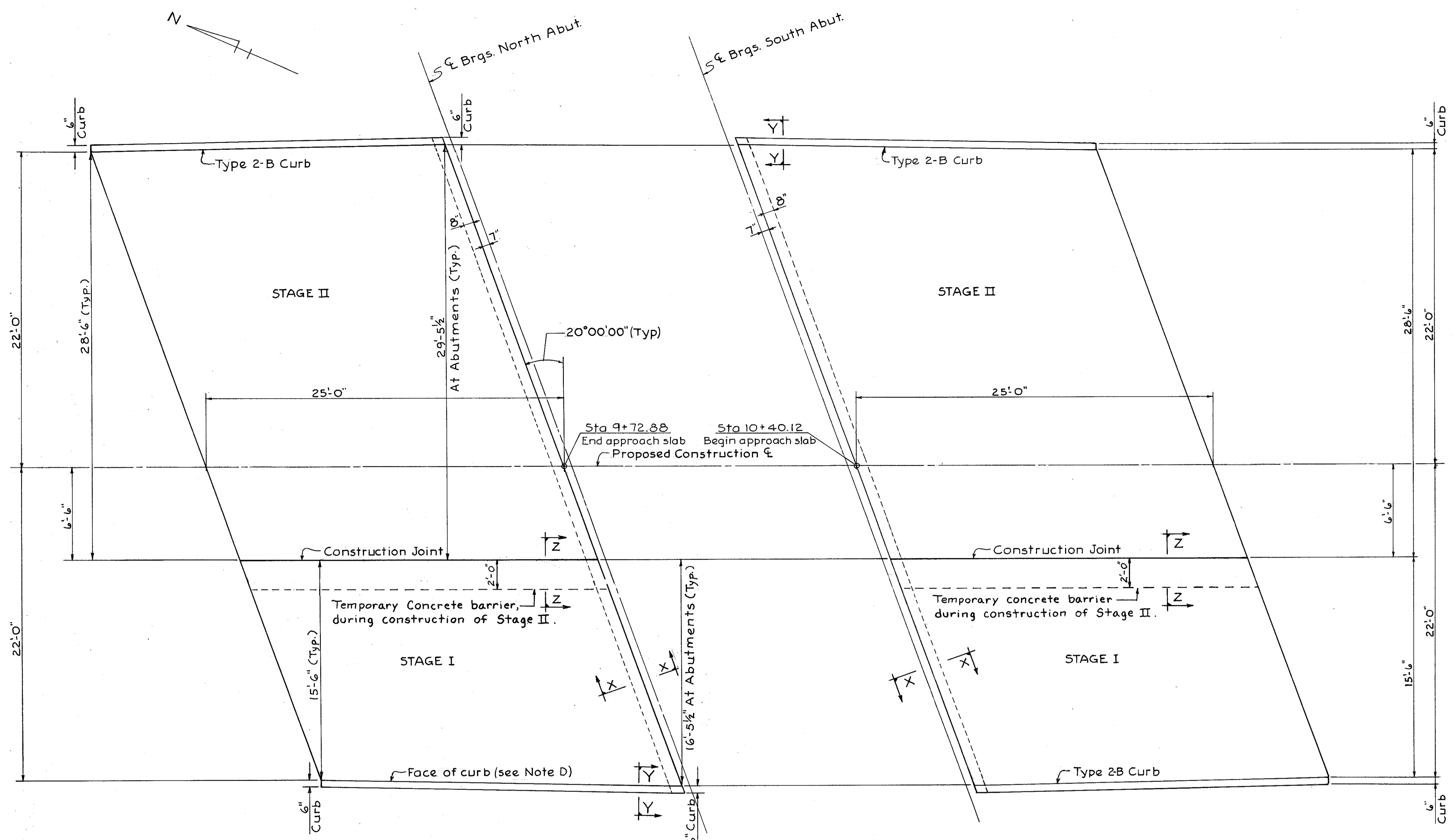


FHWA REGION	STATE	PROJECT
5	OHIO	

12
36

LAKE COUNTY
LAK-86-2.23



- LEGEND**
- ① Threaded inserts shall be cast in Stage I of the approach slab at 2'-0" on centers.
 - ② 1" diameter, 12" long threaded dowel. After the temporary concrete barrier is removed, each dowel shall be removed and the insert filled with non-shrink grout or mortar.
 - ③ An approved bond-breaker shall be used between the temporary concrete barrier and the top of the approach slab.
 - ④ Threaded inserts (Richmond Dowel Bar Splicer or equal) shall be cast in Stage I of the approach slab for splicing the B501 bars thru the construction joint.
 - ⑤ Threaded #5 bars shall be installed in the inserts to lap the B501 bars in Stage I to those in Stage II.
 - ⑥ Aggregate Base, 4" Depth to be provided under entire approach slab.
 - ⑦ 2 1/2" Asphalt Concrete Wearing Surface.

PLAN-SOUTH APPROACH SLAB

- Notes-**
- For notes and details not shown see Standard Drawings AS-1-81.
 - Stage I shall be constructed first. Traffic shall be maintained at all times.
 - Reinforcing steel shall extend through construction joint and lap a minimum of 1'-8". Threaded inserts with dowels may be used.
 - For Type 2-B curb see Standard Construction Drawing BP-7.
 - For additional approach slab details see Section X-X on Sheet 34 of Structure Drawings.
 - For Temporary Concrete Barrier, See Standard Construction Drawing MC-9A.

CAPITOL ENGINEERING ASSOCIATES CONSULTING CIVIL ENGINEERS PAINESVILLE, OHIO					
APPROACH SLABS					
STAGES I & 2 BRIDGE NO. LAK-86-0229 OVER BIG CREEK					
LAKE COUNTY			STA 9+72.88 TO STA 10+40.12		
DESIGNED DPR	DRAWN DPR	TRACED C	CHECKED NE	REVIEWED DATE	REVISED