

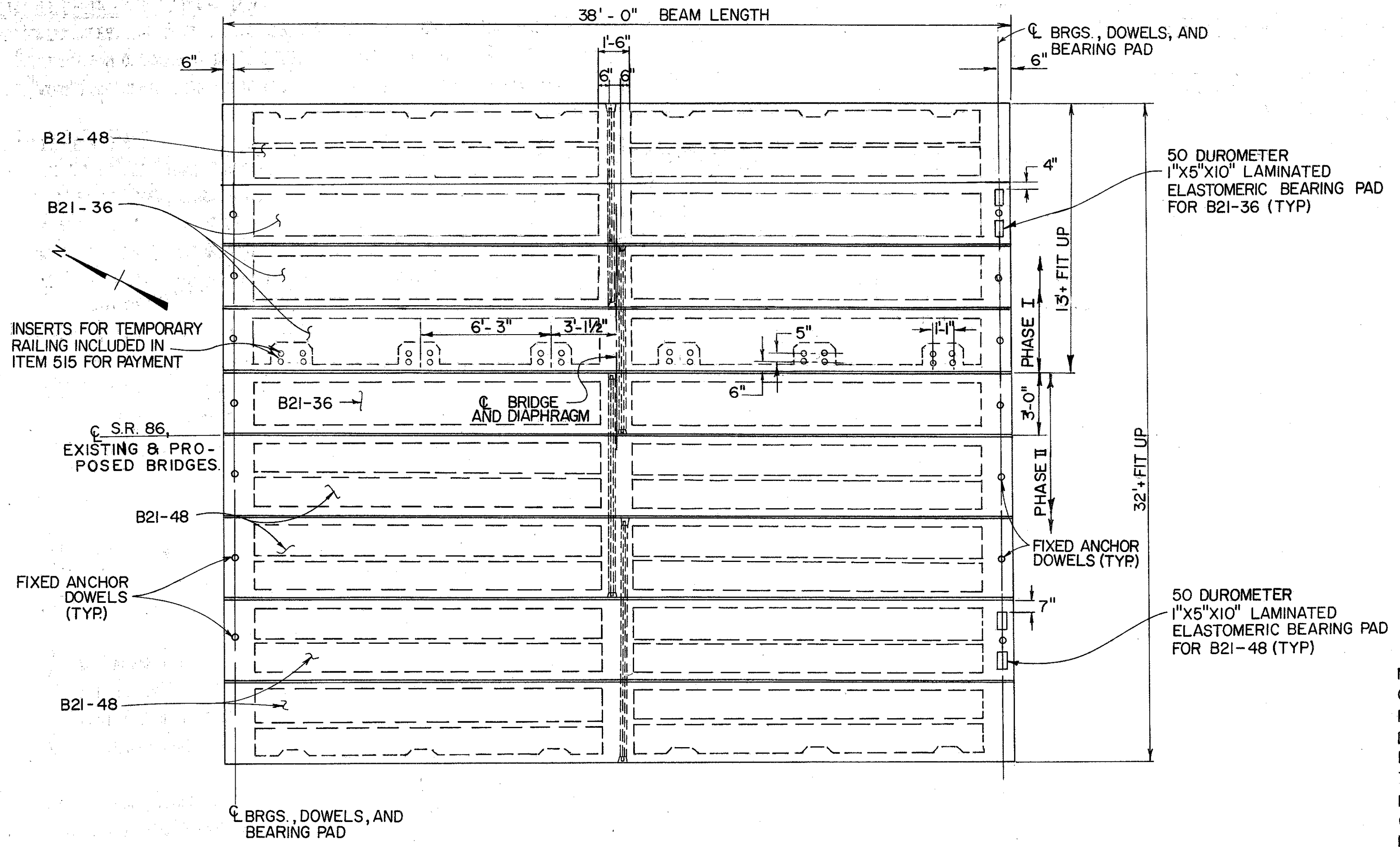
MICROFILMED  
OCT 13 1987

FHWA REGION	STATE	PROJECT	
5	OHIO		

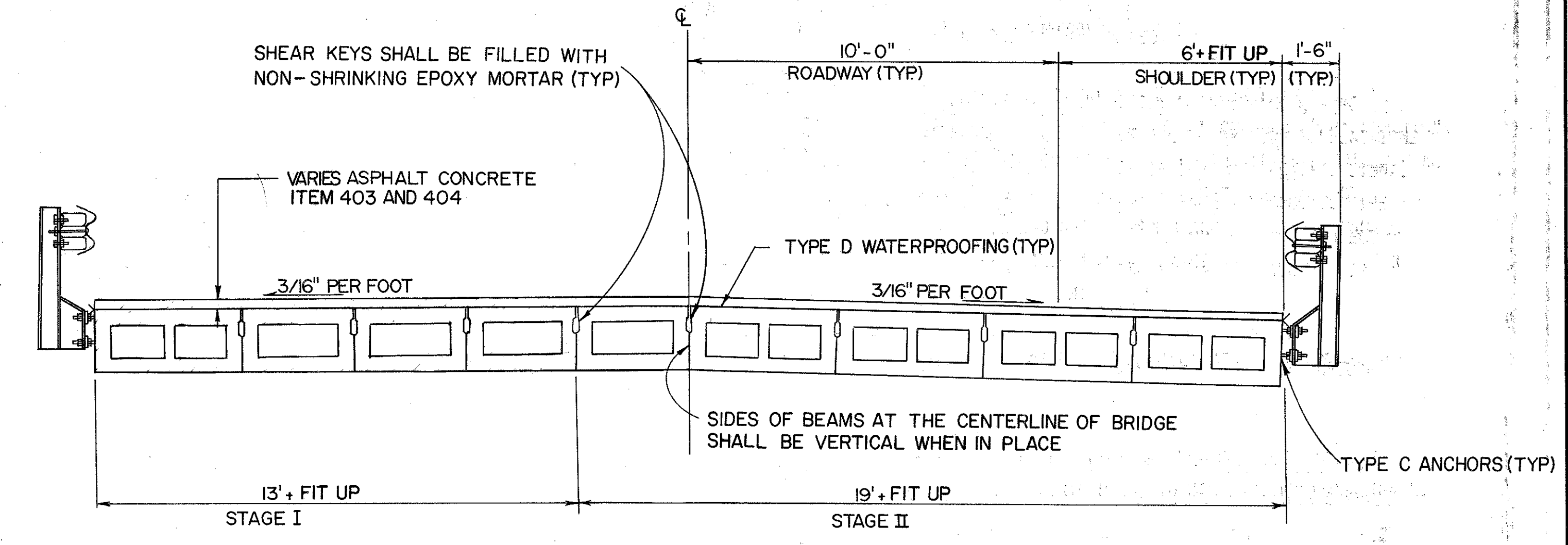
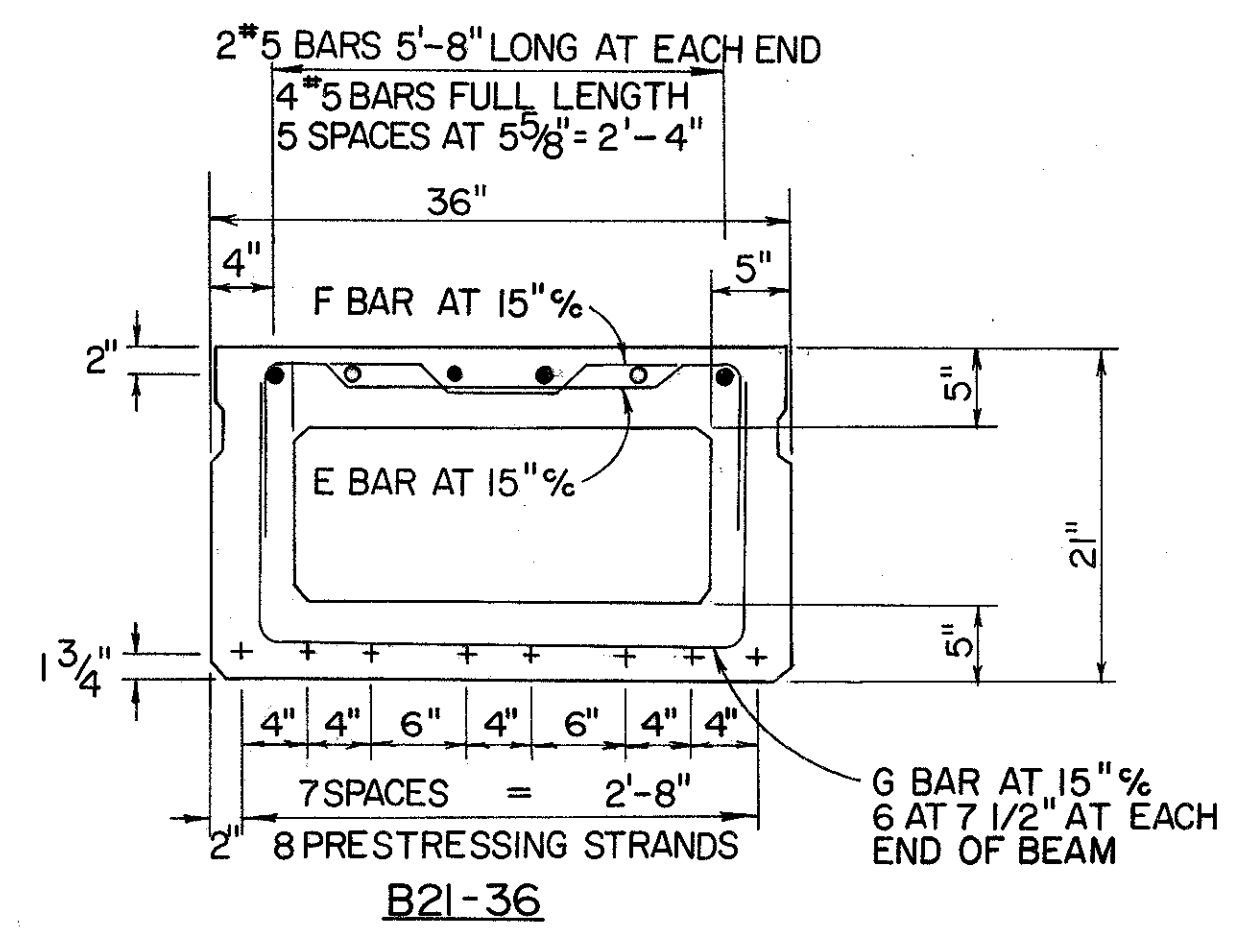
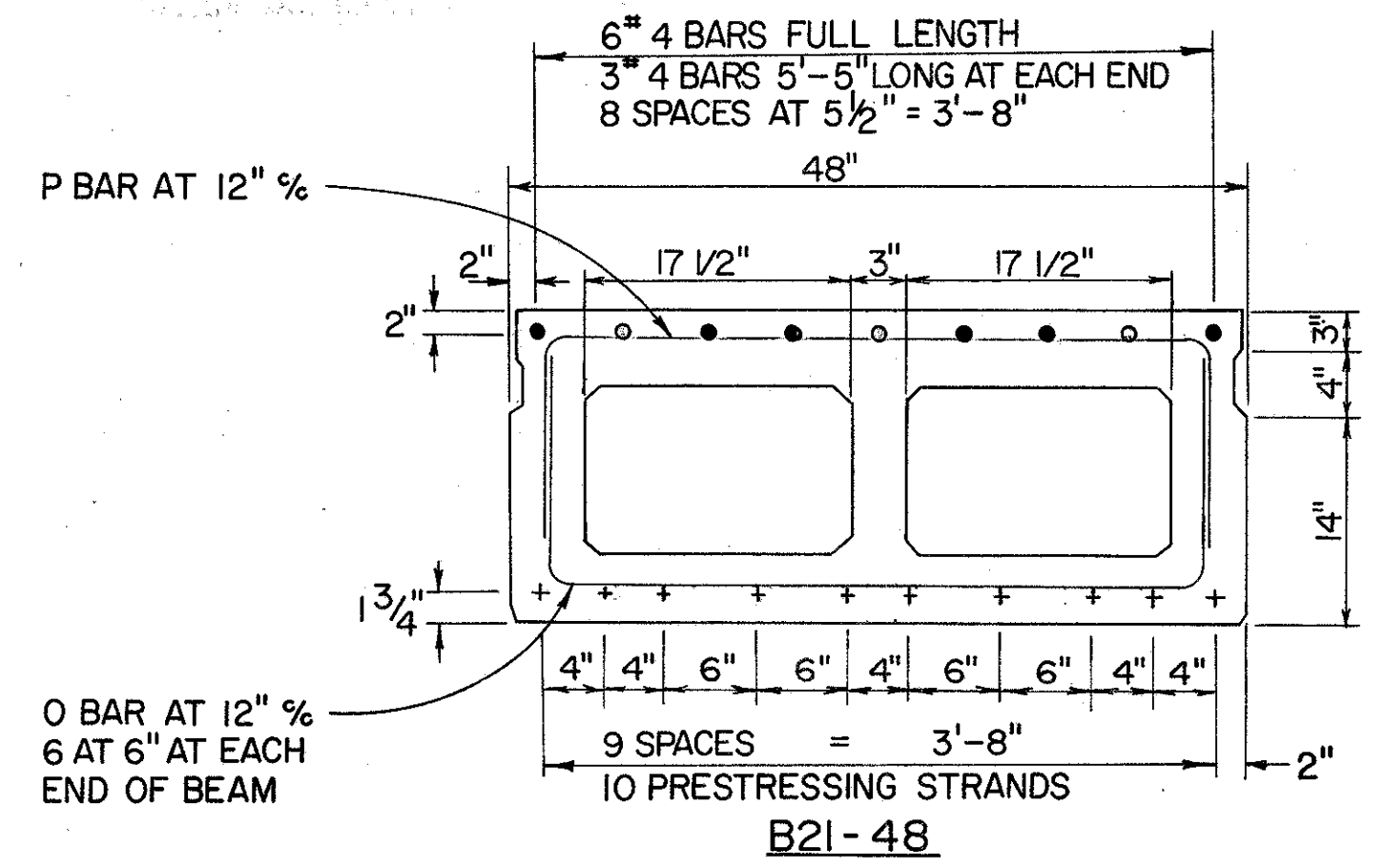
LAKE COUNTY  
LAK-86-1.95

PLAN NO. BR-73-85

15  
19



SUPERSTRUCTURE PLAN

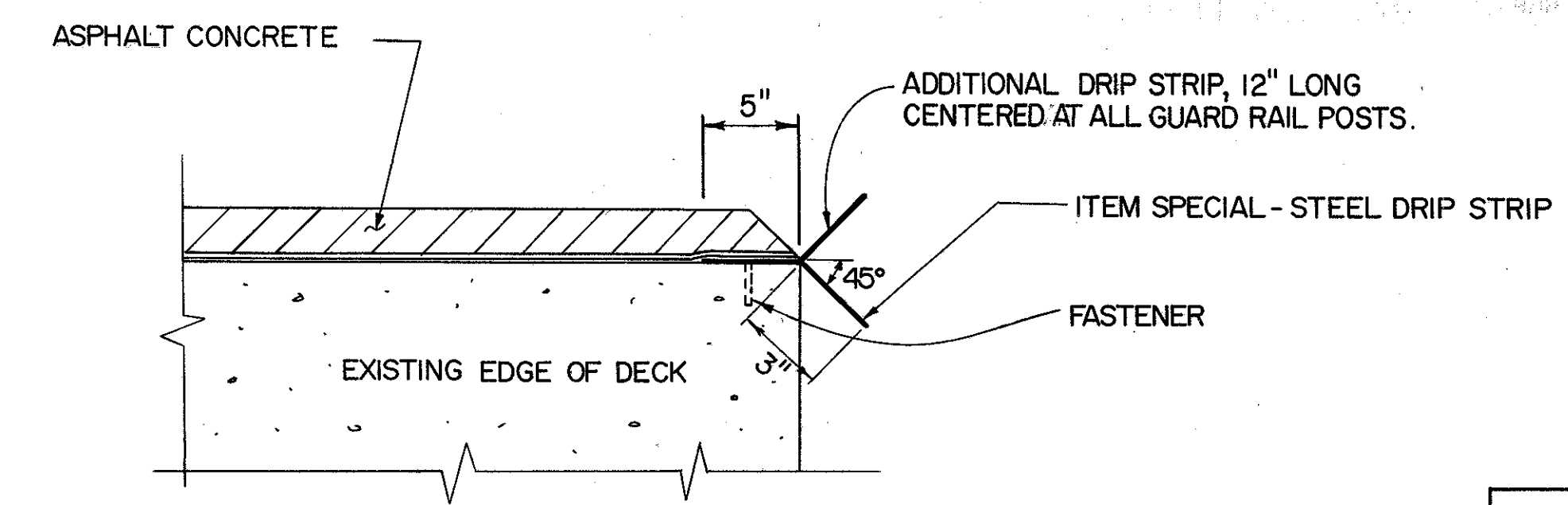


TYPICAL DECK SECTION

NOTES:  
CALCULATED CAMBER AT TIME OF PAVING, INCLUDING ALLOWANCE FOR CAMBER GROWTH DUE TO CREEP IS 1.0". CALCULATED DEFLECTION DUE TO WEIGHT OF SURFACE COURSE IS 0.0". NET FINAL CAMBER OF BEAMS IS 1.0". THIS IS 1.0" IN EXCESS OF THE AMOUNT REQUIRED TO PLACE THE TOP OF THE BEAMS PARALLEL TO PROFILE GRADE. THIS EXCESS AMOUNT SHALL BE COMPENSATED FOR BY THICKENING THE 403 LEVELING COURSE FROM 1 1/4" AT THE CENTER OF THE SPAN TO 2 1/4" AT THE ENDS.

FOR ADDITIONAL DETAILS ON PRESTRESSED CONCRETE BOX BEAMS, SEE STD. DRAWING PSBD-1-81

ASPHALT CONCRETE SURFACE COURSE SHALL CONSIST OF A VARIABLE THICKNESS OF 403 AND A 1 1/4" THICKNESS OF 404. THE 403 SHALL BE PLACED IN TWO OPERATIONS. THE FIRST COURSE SHALL BE OF 1 1/4" UNIFORM THICKNESS. THE SECOND COURSE SHALL BE FEATHERED TO PLACE THE SURFACE PARALLEL TO AND 1 1/4" BELOW FINAL PAVEMENT SURFACE ELEVATION.  
PRESTRESSED CONCRETE BOX BEAMS- PRESTRESSING STRANDS SHALL BE ASTM A416 1/2" DIAMETER UNCOATED. SEVEN WIRE STRESS RELIEVED STRAND 270 KSI WITH AN INITIAL TENSION OF 28,900 LBS. PER STRAND.



DRIP STRIP

STATE OF OHIO  
DEPARTMENT OF TRANSPORTATION  
DISTRICT 12 BRIDGE DEPARTMENT

SUPERSTRUCTURE DETAILS

BRIDGE LAK-86-0195  
OVER KELLOGG CREEK

DESIGNED	DRAWN	TRACED	CHECKED	REVIEWED	DATE	REVISED
EJA	SDG	SDG	DWL	GWM	8/13/85	