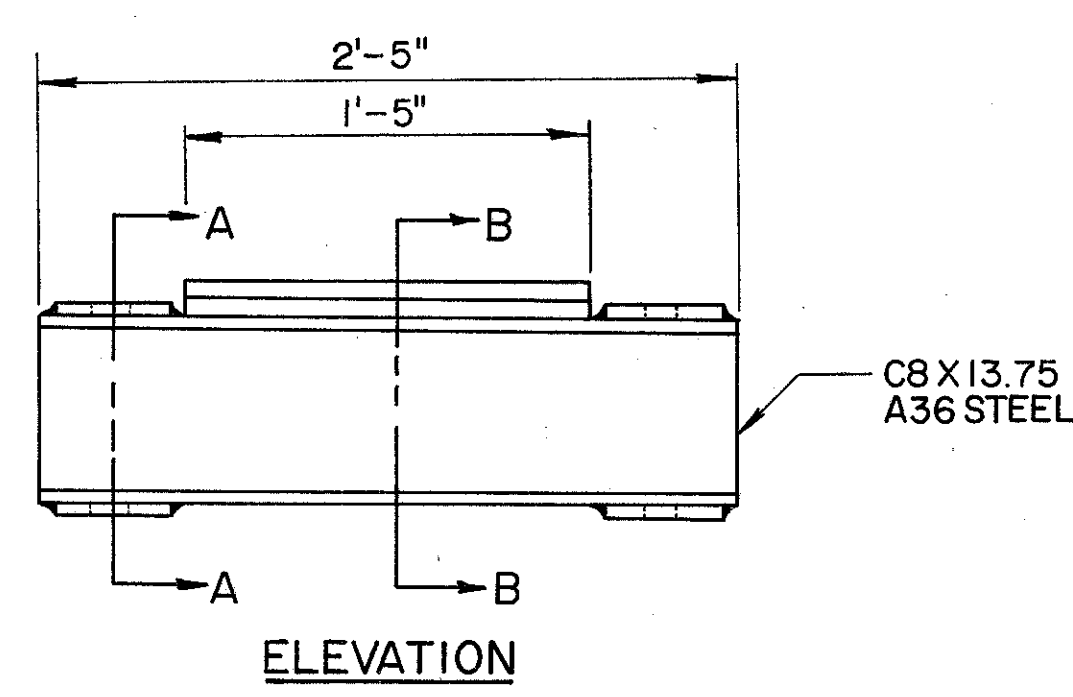
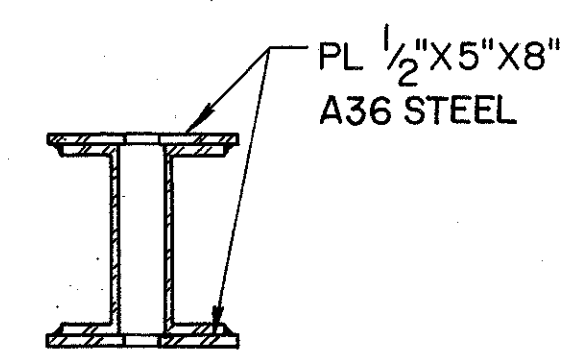


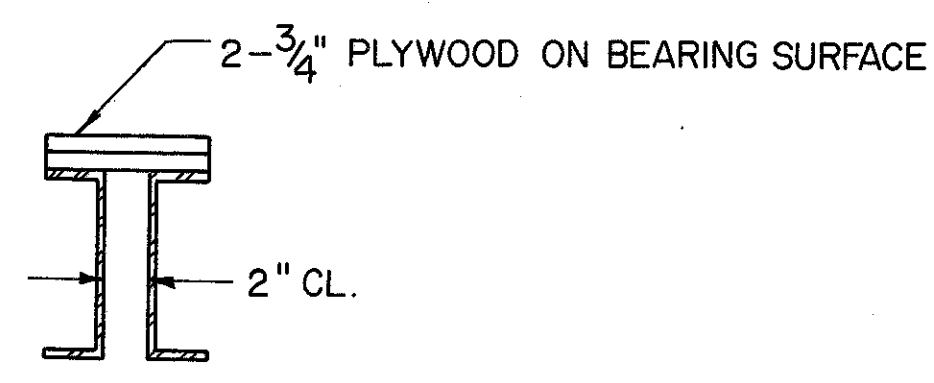
PLAN



ELEVATION

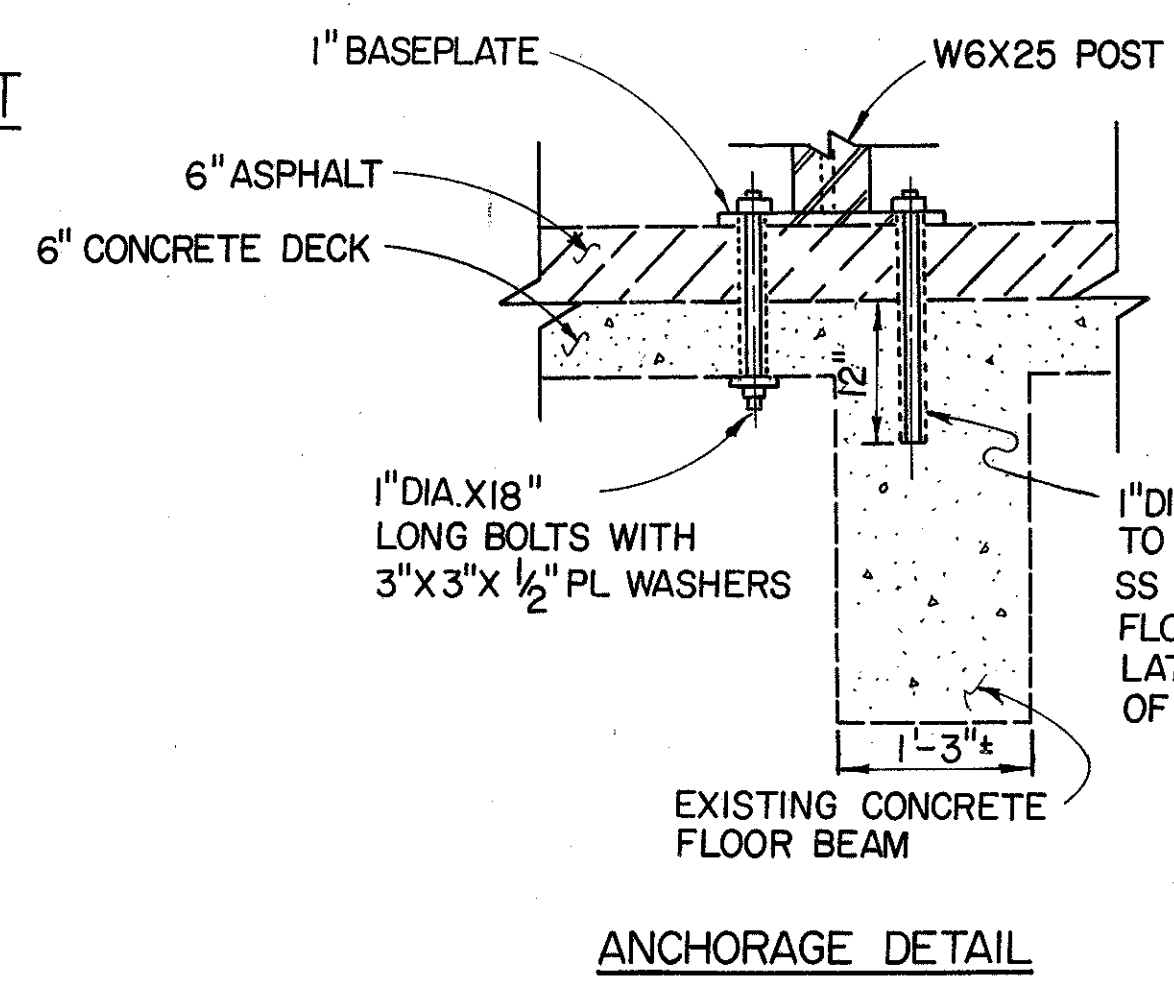


SECTION A-A

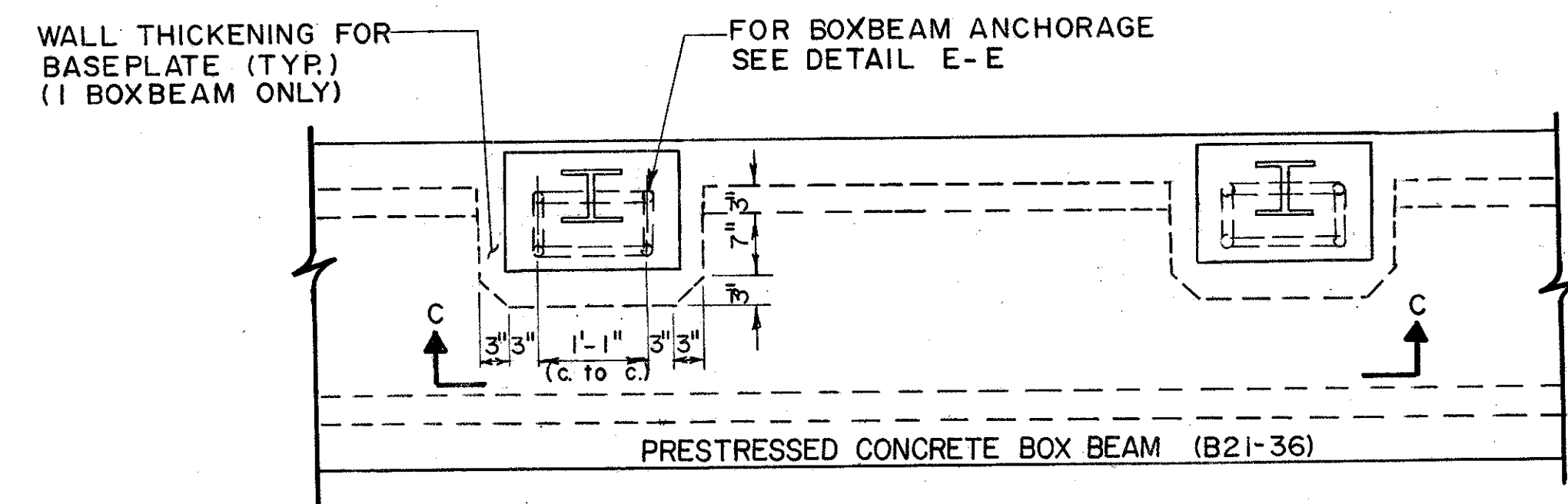


SECTION B-B

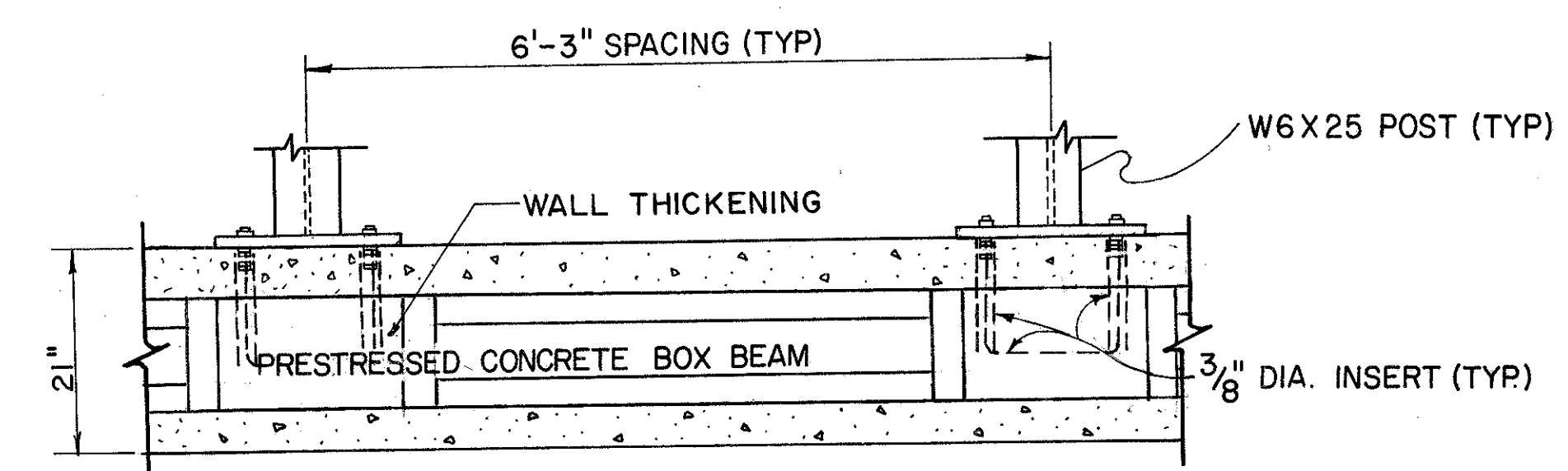
SUPPORT BRACKET
(PHASE I)



ANCHORAGE DETAIL

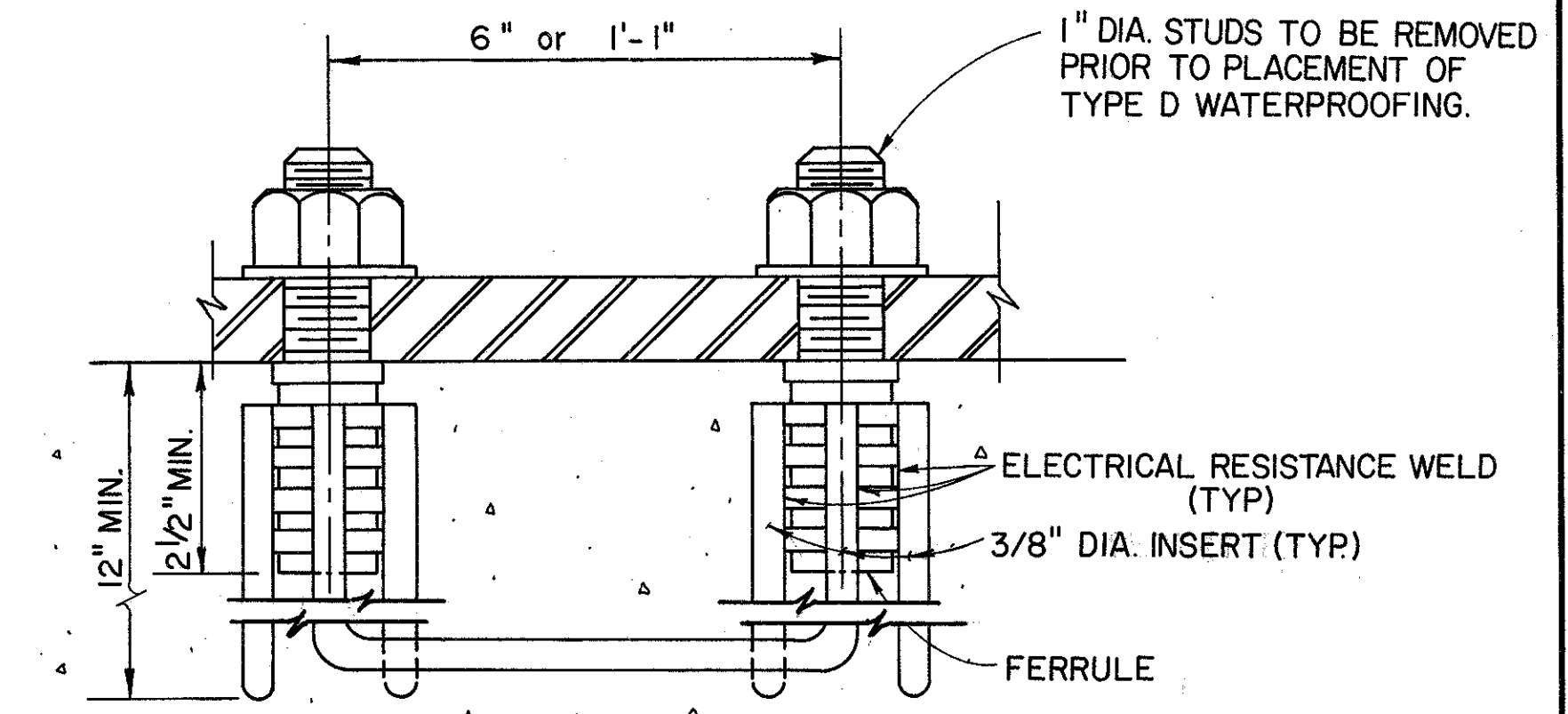


PARTIAL PLAN



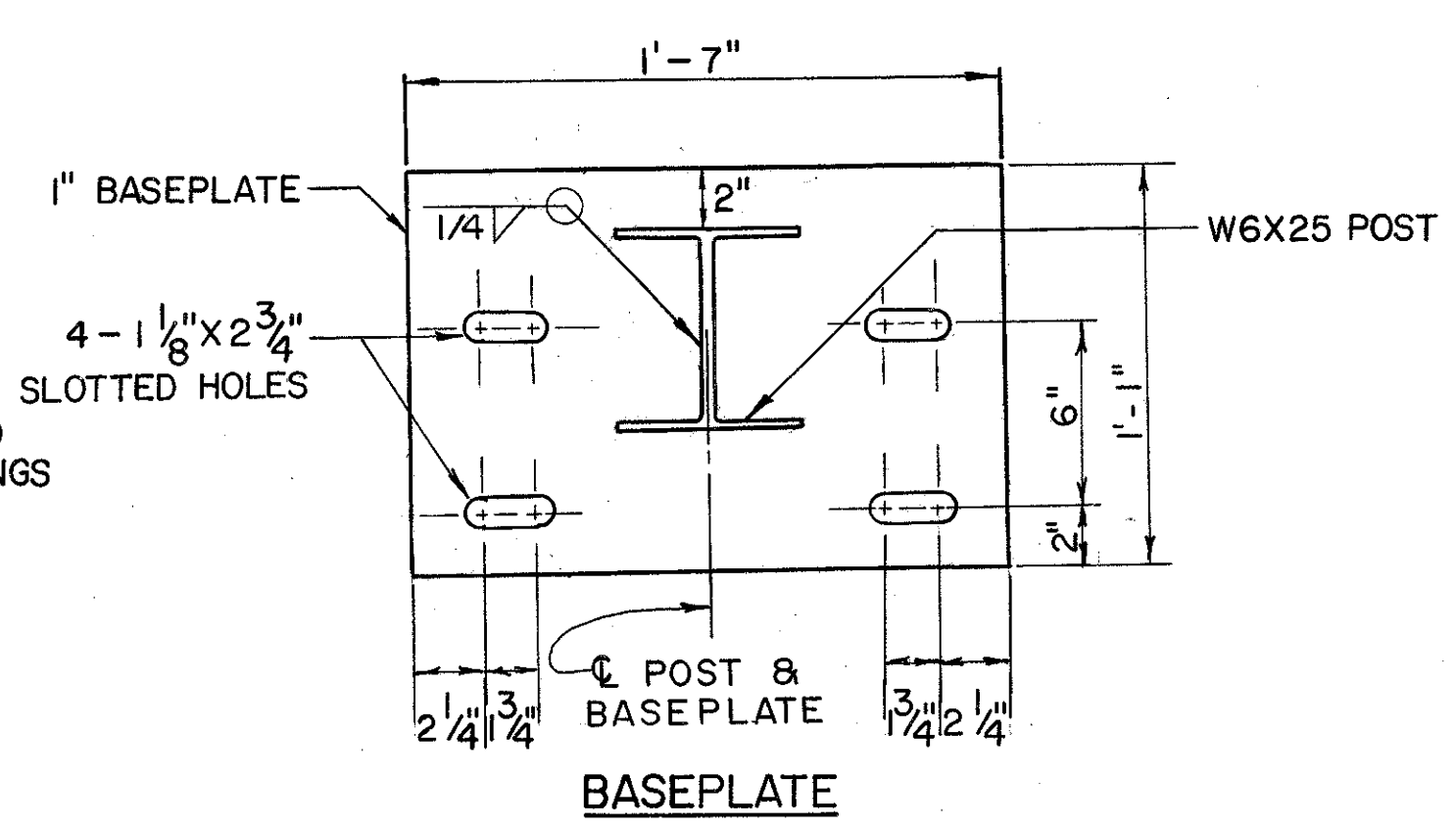
SECTION C-C

TEMPORARY RAILING SUPPORT
(PHASE II)



DETAIL E-E

FOR ADDITIONAL ANCHOR DETAILS NOT SHOWN SEE STANDARD DRAWING DBR-2-73.



BASEPLATE

STATE OF OHIO					8/11
DEPARTMENT OF TRANSPORTATION					
DISTRICT 12 BRIDGE DEPARTMENT					
TEMPORARY SUPPORT DETAILS					
BRIDGE LAK-86-0195 OVER KELLOGG CREEK					
DESIGNED	DRAWN	TRACED	CHECKED	REVIEWED	DATE REVISED
EJA	SDG	SDG	DWL	GWM	8/13/85