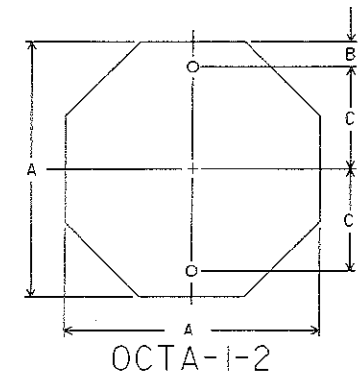


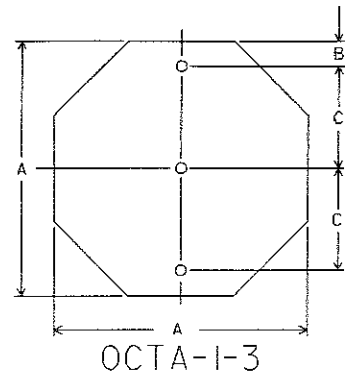
NOTES

1. For each detail shown, the top table is in inches and the lower table is in millimeters unless otherwise noted.
2. All bolt holes shall be 3/8" (10 mm) in diameter, and may be drilled or punched to finished size.
3. Dimensions between bolt holes shall be to tolerance of $\pm 1/32"$ (± 0.8 mm).
4. All route shields shall be 0.063" (1.6 mm) thick and attached to extrusheet signs with aluminum blind rivets.



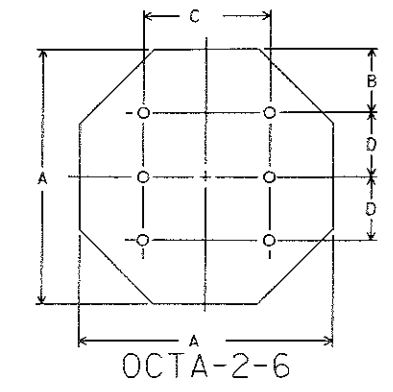
A	B	C	GAUGE	SQ. FT.
18	3	6	0.063	2.25
24	3	9	0.063	4.00

A	B	C	THICKNESS	m ²
450	75	150	1.6	0.20
600	75	225	1.6	0.36



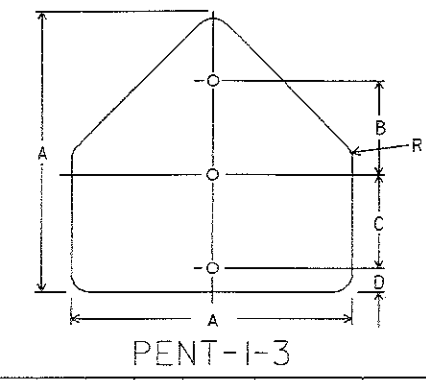
A	B	C	GAUGE	SQ. FT.
30	3	12	0.080	6.25
36	6	12	0.080	9.00

A	B	C	THICKNESS	m ²
750	75	300	2.0	0.56
900	150	300	2.0	0.81



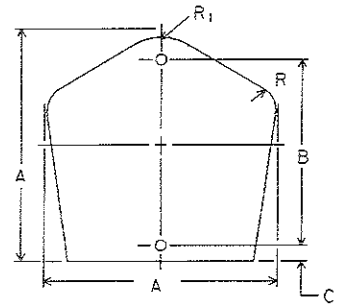
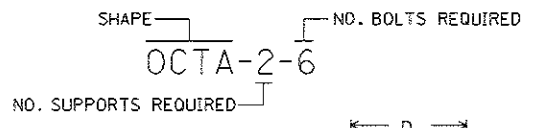
A	B	C	D	GAUGE	SQ. FT.
48	12	24	12	0.100	16.00

A	B	C	D	THICKNESS	m ²
1200	300	600	300	2.5	1.44



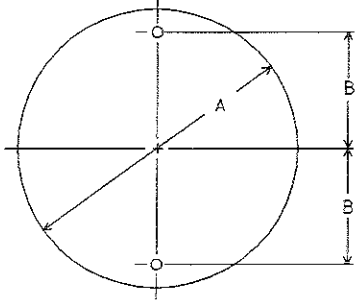
A	B	C	D	R	GAUGE	SQ. FT.
30	10	11	3	1.88	0.080	6.25
36	12	12	3	2.25	0.080	9.00
42	14	13	4	2.50	0.100	12.25

A	B	C	D	R	THICKNESS	m ²
750	250	275	75	48	2.0	0.56
900	300	300	75	57	2.0	0.81
1050	350	325	100	64	2.5	1.10



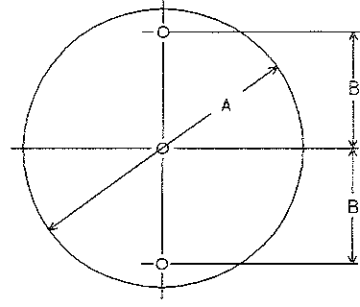
A	B	C	R ₁	R	GAUGE	SQ. FT.
18	15	1	5	2	0.063	2.25
24	18	2	5.31	2.69	0.063	4.00
30	24	2	6.63	3.38	0.080	6.25

A	B	C	R ₁	R	THICKNESS	m ²
450	375	25	125	50	1.6	0.20
600	450	50	135	68	1.6	0.36
750	600	50	168	86	2.0	0.56



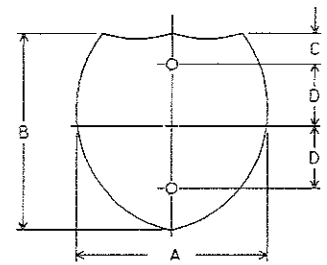
A	B	GAUGE	SQ. FT.
18	6	0.063	2.25
24	9	0.063	4.00

A	B	THICKNESS	m ²
450	150	1.6	0.20
600	225	2.0	0.36



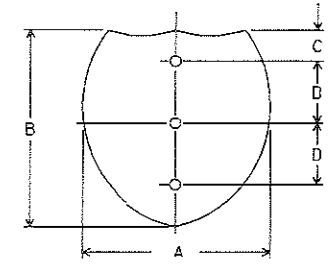
A	B	GAUGE	SQ. FT.
30	12	0.080	6.25
36	15	0.080	9.00

A	B	THICKNESS	m ²
750	300	2.0	0.56
900	375	2.0	0.81



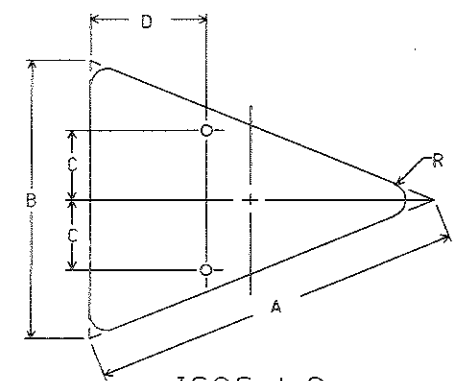
A	B	C	D	GAUGE	SQ. FT.
24	24	3	9	0.063	4.00
30	24	3	9	0.080	5.00
30	30	3	12	0.080	6.25
40	30	3	12	0.080	8.33

A	B	C	D	THICKNESS	m ²
600	600	75	225	1.6	0.36
750	600	75	225	2.0	0.45
750	750	75	300	2.0	0.56
1000	750	75	300	2.0	0.75



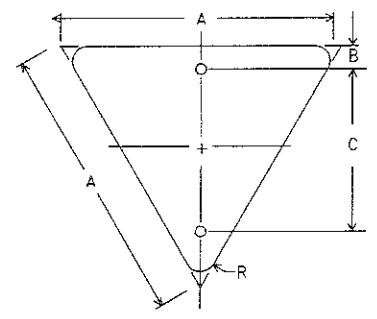
A	B	C	D	GAUGE	SQ. FT.
36	36	6	12	0.080	9.00
48	36	6	12	0.100	12.00

A	B	C	D	THICKNESS	m ²
900	900	150	300	2.0	0.81
1200	900	150	300	2.5	1.08



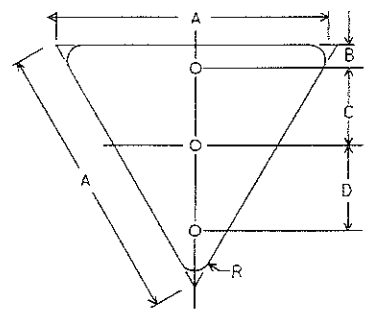
A	B	C	D	R	GAUGE	SQ. FT.
40	30	17.50	12	1.88	0.080	3.86
48	36	9	15	2.25	0.100	5.56

A	B	C	D	R	THICKNESS	m ²
1000	750	187	300	48	2.0	0.35
1200	900	225	375	57	2.5	0.50



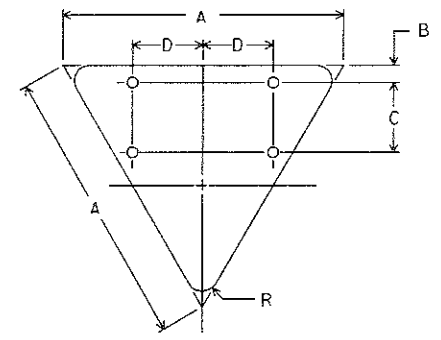
A	B	C	R	GAUGE	SQ. FT.
24	2	14	1.50	0.080	1.73

A	B	C	R	THICKNESS	m ²
600	50	350	38	2.0	0.16



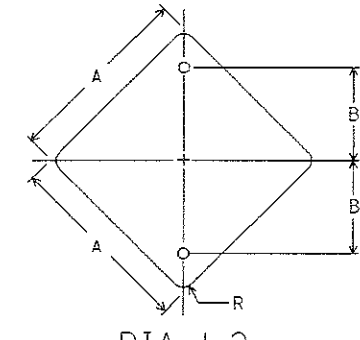
A	B	C	D	R	GAUGE	SQ. FT.
36	3	10	11	2.00	0.100	3.90

A	B	C	D	R	THICKNESS	m ²
900	75	1250	275	50	2.5	0.35



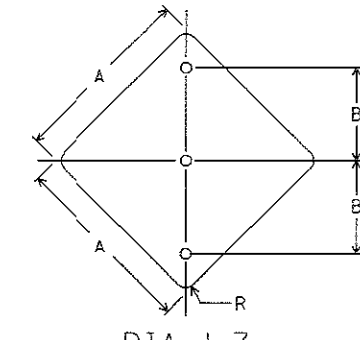
A	B	C	D	R	GAUGE	SQ. FT.
48	3	12	12	3	0.100	6.93
60	3	18	15	4	0.100	10.83

A	B	C	D	R	THICKNESS	m ²
1200	75	300	300	75	2.5	0.62
1500	75	450	375	100	2.5	0.97



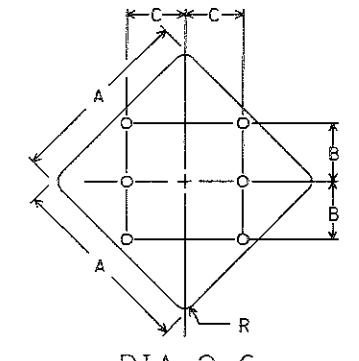
A	B	R	GAUGE	SQ. FT.
18	9	11.50	0.063	2.25

A	B	R	THICKNESS	m ²
450	225	38	1.6	0.20



A	B	R	GAUGE	SQ. FT.
24	12	15.00	0.063	4.00
30	15	18.88	0.080	6.25
36	18	22.50	0.080	9.00

A	B	R	THICKNESS	m ²
600	300	38	1.6	0.36
750	375	48	2.0	0.56
900	450	57	2.0	0.81



A	B	C	R	GAUGE	SQ. FT.
48	15	15	3	0.100	16.00
60	18	18	3.75	0.100	25.00

A	B	C	R	THICKNESS	m ²
1200	375	375	75	2.5	1.44
1500	450	450	95	2.5	2.25