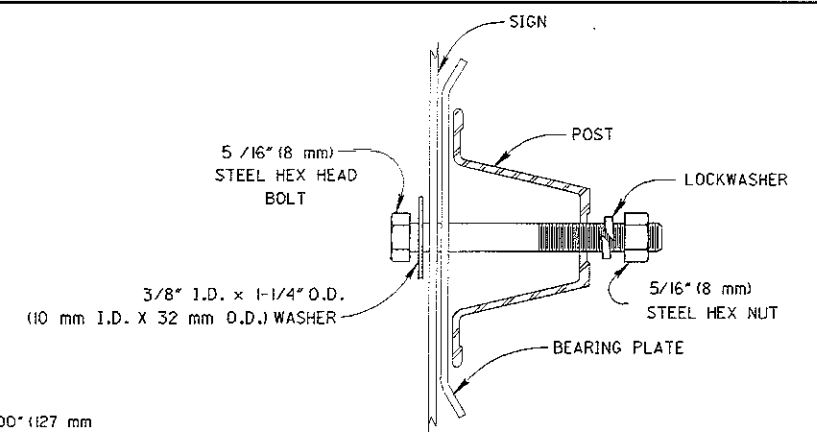
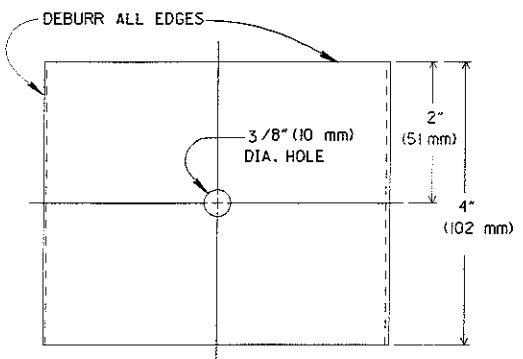
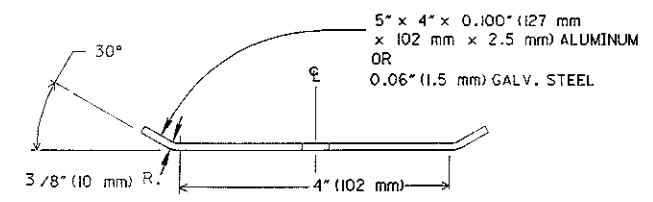


| POST NO. | TYPE | LB/FT | POST DIMENSIONS (INCHES) | | | ANCHOR DIMENSIONS | | | NUMBER OF POSTS PERMITTED IN SEVEN FOOT PATH IN EXPOSED LOCATIONS |
|----------|------|-------|--------------------------|-------|-------|-------------------|-------|-------|---|
| | | | A | B | C | A | B | C | |
| 1 | F | 1.12 | 0.875 | 2.063 | 0.813 | | | | |
| | P | 2.00 | 1.469 | 3.063 | 1.281 | | | | 2 |
| 2 | F | 2.00 | 1.516 | 3.125 | 1.250 | | | | 2 |
| | S | | 1.750 | 1.750 | 0.083 | 2.000 | 2.000 | 0.105 | 2 |
| 3 | P | 3.00 | 1.875 | 3.500 | 1.313 | | | | 2 |
| | F | 3.00 | 1.750 | 3.500 | 1.625 | | | | 2 |
| 4 | S | | 2.00 | 2.00 | 0.083 | 2.250 | 2.250 | 0.105 | 2 |
| | P | 4.00 | TWO NO.2 POST | | | | | | 0 |
| 6 | F | 6.00 | TWO NO.2 POST | | | | | | 0 |
| | S | | 2.500 | 2.500 | 0.105 | 3.000 | 3.000 | 0.188 | 1 |

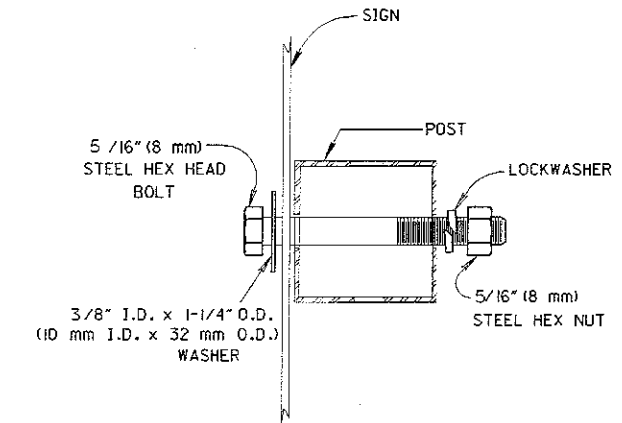
| POST NO. | TYPE | Kg/m | POST DIMENSIONS (mm) | | | ANCHOR DIMENSIONS | | | NUMBER OF POSTS PERMITTED IN 2.1m PATH IN EXPOSED LOCATIONS |
|----------|------|------|----------------------|----|-----|-------------------|----|-----|---|
| | | | A | B | C | A | B | C | |
| 1 | F | 1.7 | 22 | 52 | 21 | | | | |
| | P | 3.0 | 37 | 78 | 33 | | | | 2 |
| 2 | F | 3.0 | 39 | 79 | 32 | | | | 2 |
| | S | | 44 | 44 | 2.1 | 51 | 51 | 2.7 | 2 |
| 3 | P | 4.5 | 48 | 89 | 33 | | | | 2 |
| | F | 4.5 | 44 | 89 | 41 | | | | 2 |
| 4 | S | | 51 | 51 | 2.1 | 57 | 57 | 2.7 | 2 |
| | P | 6.0 | TWO NO.2 POST | | | | | | 0 |
| 6 | F | 9.0 | TWO NO.2 POST | | | | | | 0 |
| | S | | 63 | 63 | 2.7 | 76 | 76 | 4.8 | 1 |



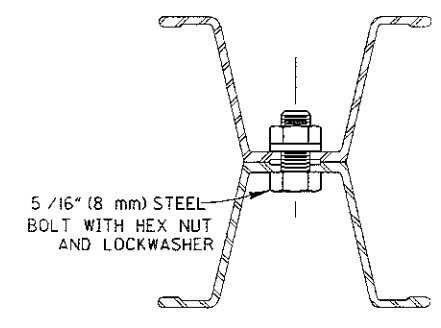
U - CHANNEL SIGN ATTACHMENT DETAIL



BEARING PLATE



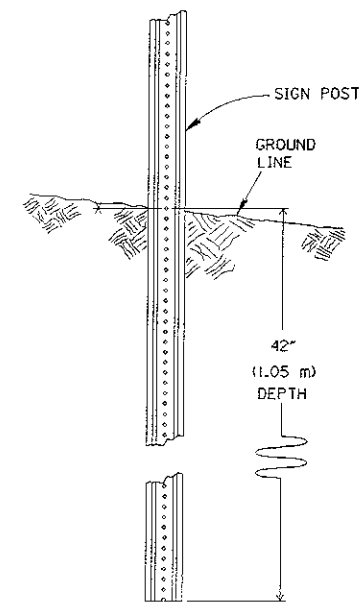
SQUARE POST SIGN ATTACHMENT DETAIL



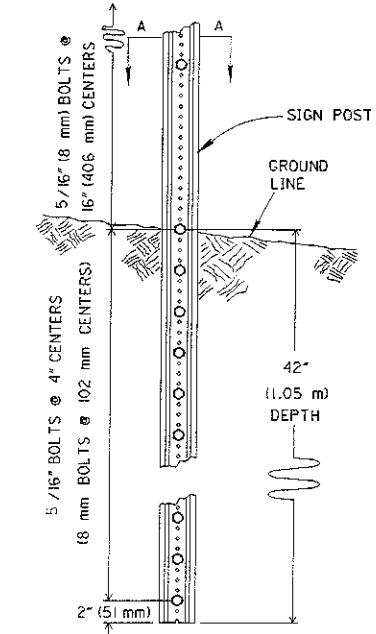
SECTION A - A

NOTES

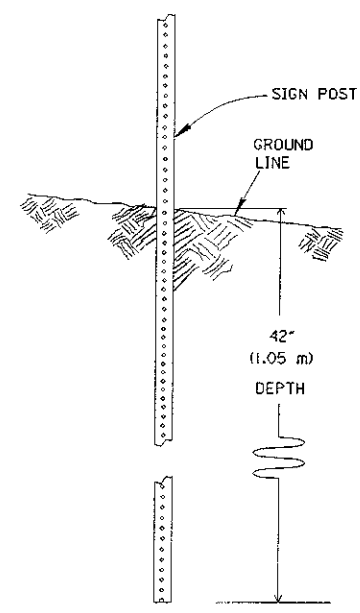
1. Install number 4 type P and F posts, and number 6 type P and F posts, only in protected locations (e.g. behind guardrail). Install two post installations of number 4 type S posts within 7 foot (2.1m) path only in protected locations.
2. Use of anchor base with No. 2 and No. 3 square post is optional. Use of anchor base with No. 4 square post is required.
3. Square post may have die-cut knockouts or open holes.



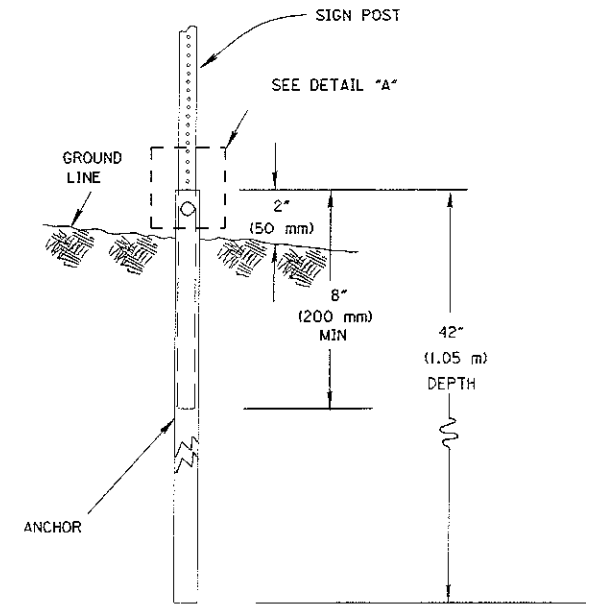
TYPICAL NO. 1, NO. 2 AND NO. 3 U - CHANNEL DRIVEN INSTALLATION



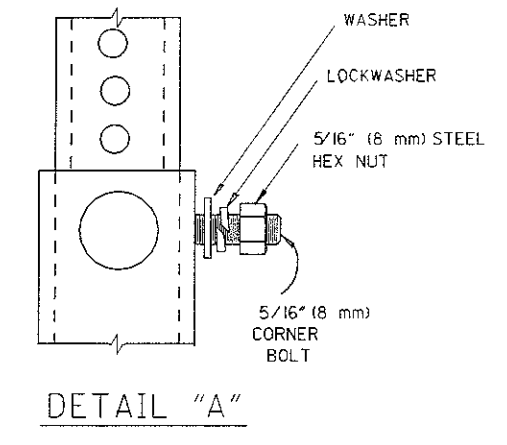
TYPICAL NO. 4 AND NO. 6 U - CHANNEL DRIVEN INSTALLATION



TYPICAL SQUARE POST DRIVEN INSTALLATION



TYPICAL SQUARE POST ANCHOR BASE INSTALLATION



DETAIL "A"