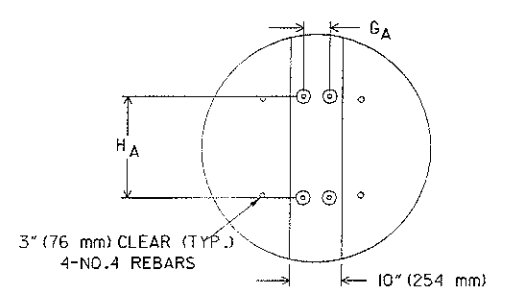
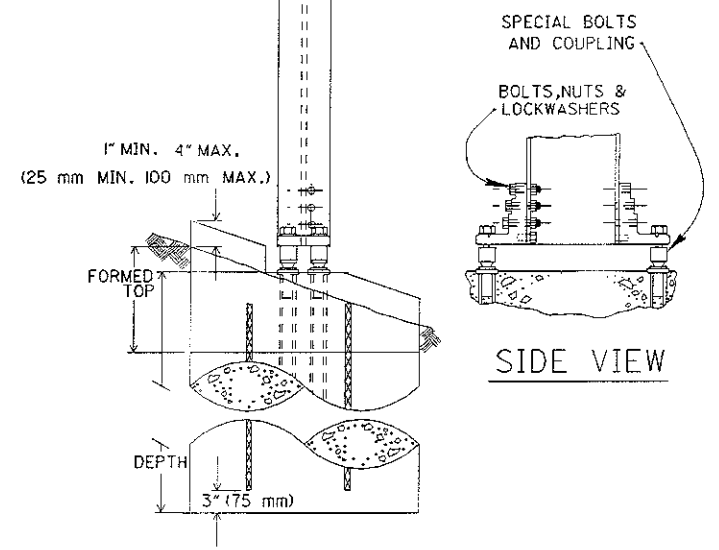
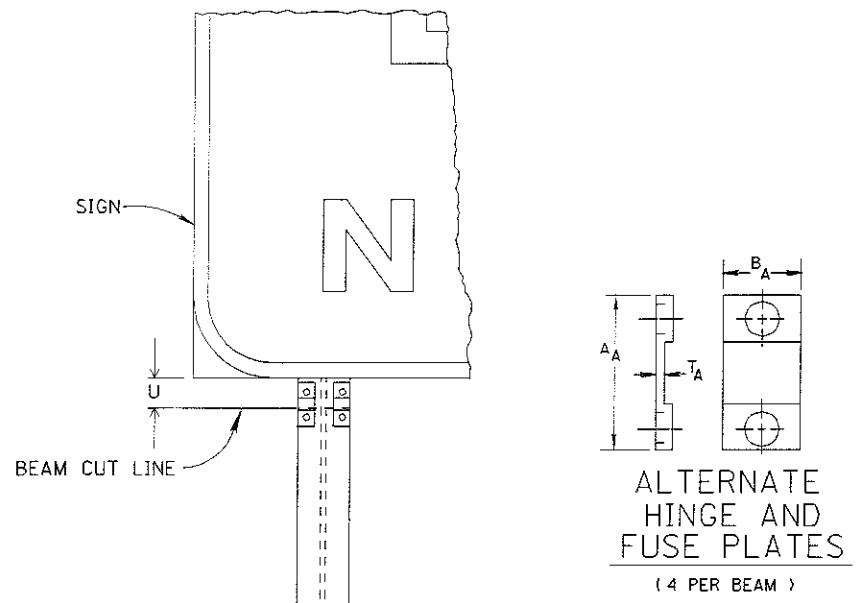


Inccome@TRCCD109 - tc4110.m - Friday December 29 2000 11:42:36 AM EST



ALTERNATE DESIGN

ALTERNATE DESIGN
(SEE NOTE 8)
ALL DIMENSIONS IN INCHES UNLESS OTHERWISE NOTED

BEAM		HINGE AND FUSE PLATE				FOUNDATIONS			BASE PLATE DIMENSIONS		
TYPE	SIZE	A _A	B _A	BOLT SIZE	T _A	DIA. (FEET)	DEPTH (FEET)	CONCRETE YD ³ / EA.	G _A	H _A	BOLT SIZE
S4 X 7.7	4 x 2-5/8	3-3/4	1	1/2	0.071	1.5	4	0.27	4-1/4	7-11/16	1/2
W6 X 9	5-7/8 x 4	3-3/4	1	1/2	0.071	1.5	5	0.33	4-1/4	9-9/16	1/2
W10 X 12	9-7/8 x 4	3-3/4	1	1/2	0.071	2.5	6	1.10	4-1/4	13-5/8	1/2
W8 X 18	8-1/8x5-1/4	4-3/4	1-1/2	3/4	0.113	2.5	6	1.10	3	16-1/4	1/2
W10 X 22	10-1/8x5-3/4	4-3/4	1-1/2	3/4	0.113	2.5	6.75	1.23	4	18-5/16	5/8
W12 X 30	12-3/8x6-1/2	4-3/4	1-1/2	3/4	0.113	2.5	8.25	1.50	4	20-7/16	5/8

ALTERNATE DESIGN
(SEE NOTE 8)
ALL DIMENSIONS IN MILLIMETERS UNLESS OTHERWISE NOTED

BEAM		HINGE AND FUSE PLATE				FOUNDATIONS			BASE PLATE DIMENSIONS		
TYPE	SIZE	A _A	B _A	BOLT SIZE	T _A	DIA. (METER)	DEPTH (METER)	CONCRETE m ³ / EA.	G _A	H _A	BOLT SIZE
S100 X 11.5	102 x 67	95	25	13	1.80	0.5	1.2	0.24	108	195	13
W150 X 13.5	149 x 102	95	25	13	1.80	0.5	1.5	0.30	108	243	13
W250 X 17.9	244 x 102	95	25	13	1.80	0.8	1.8	0.91	108	346	13
W200 X 26.6	206 x 133	121	38	19	2.87	0.8	1.8	0.91	76	413	13
W250 X 32.7	257 x 146	121	38	19	2.87	0.8	2.1	1.06	102	465	16
W310 X 44.5	314 x 165	121	38	19	2.87	0.8	2.5	1.26	102	519	16