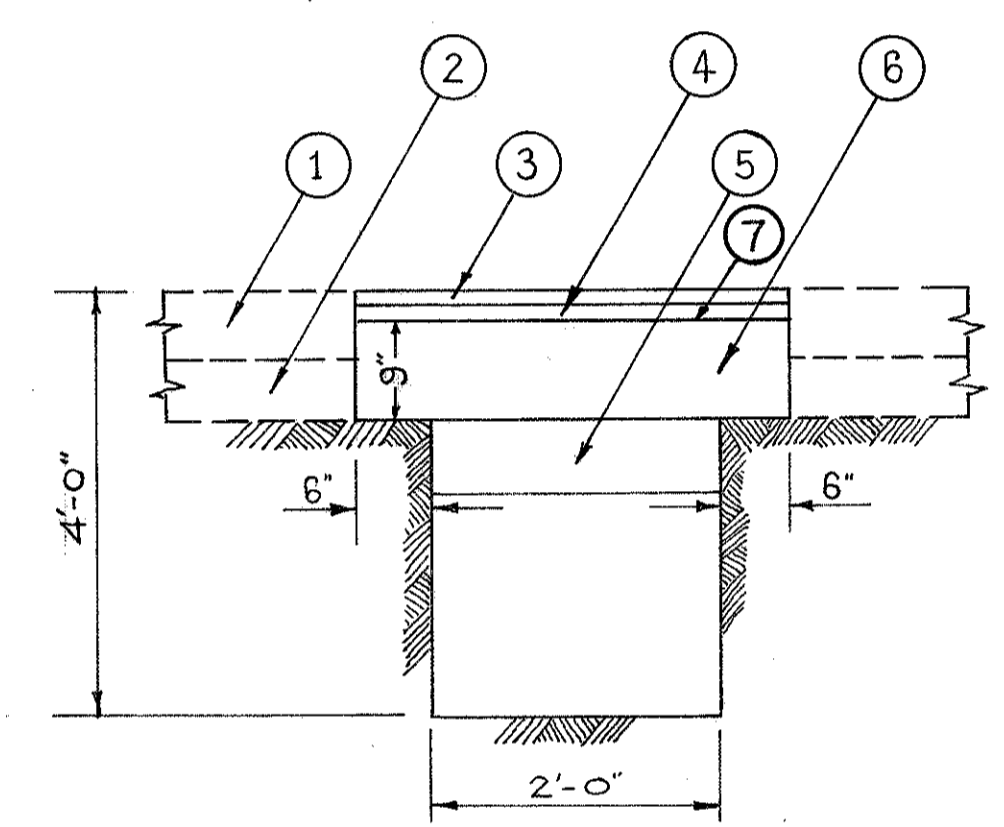
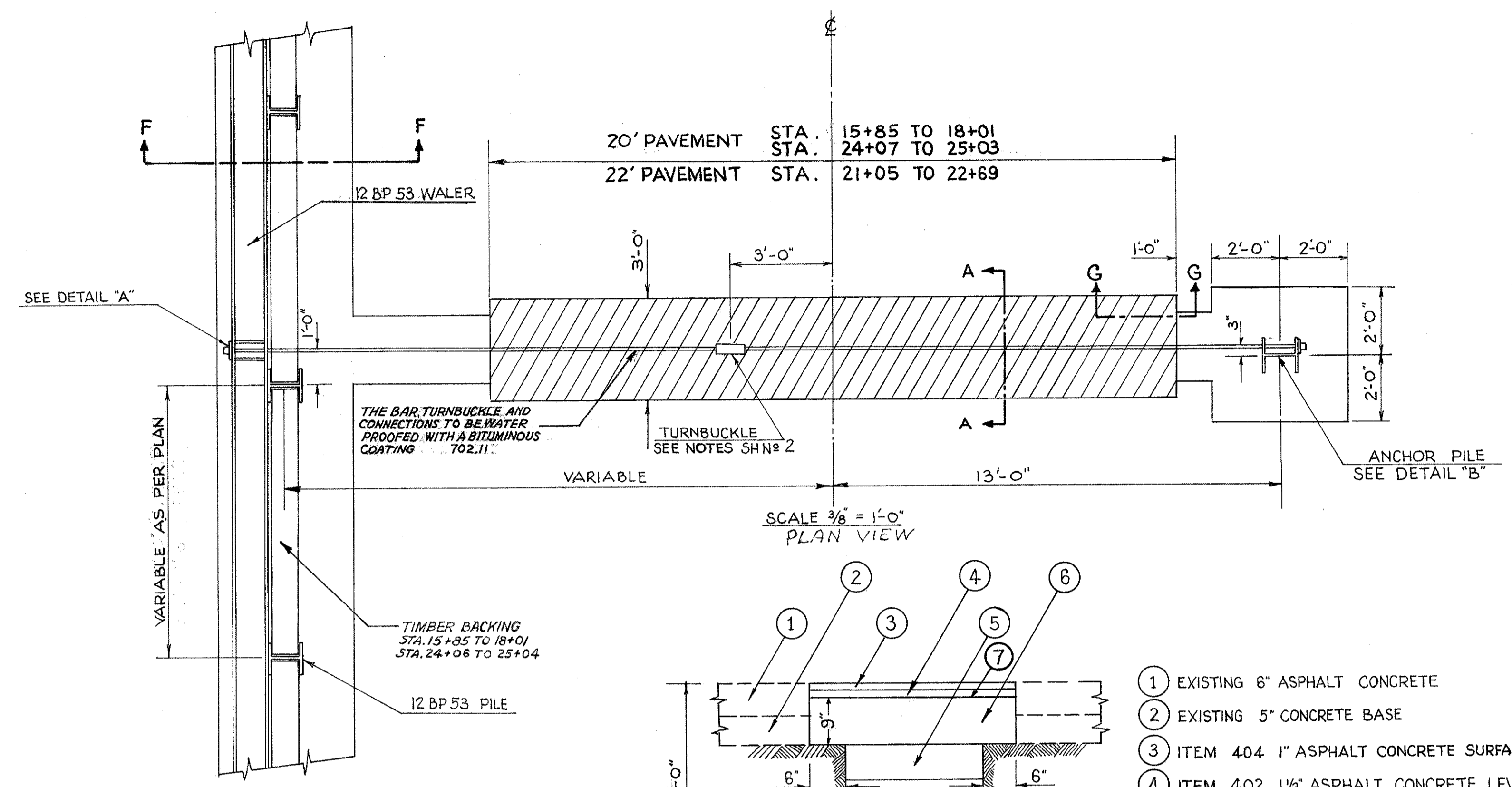
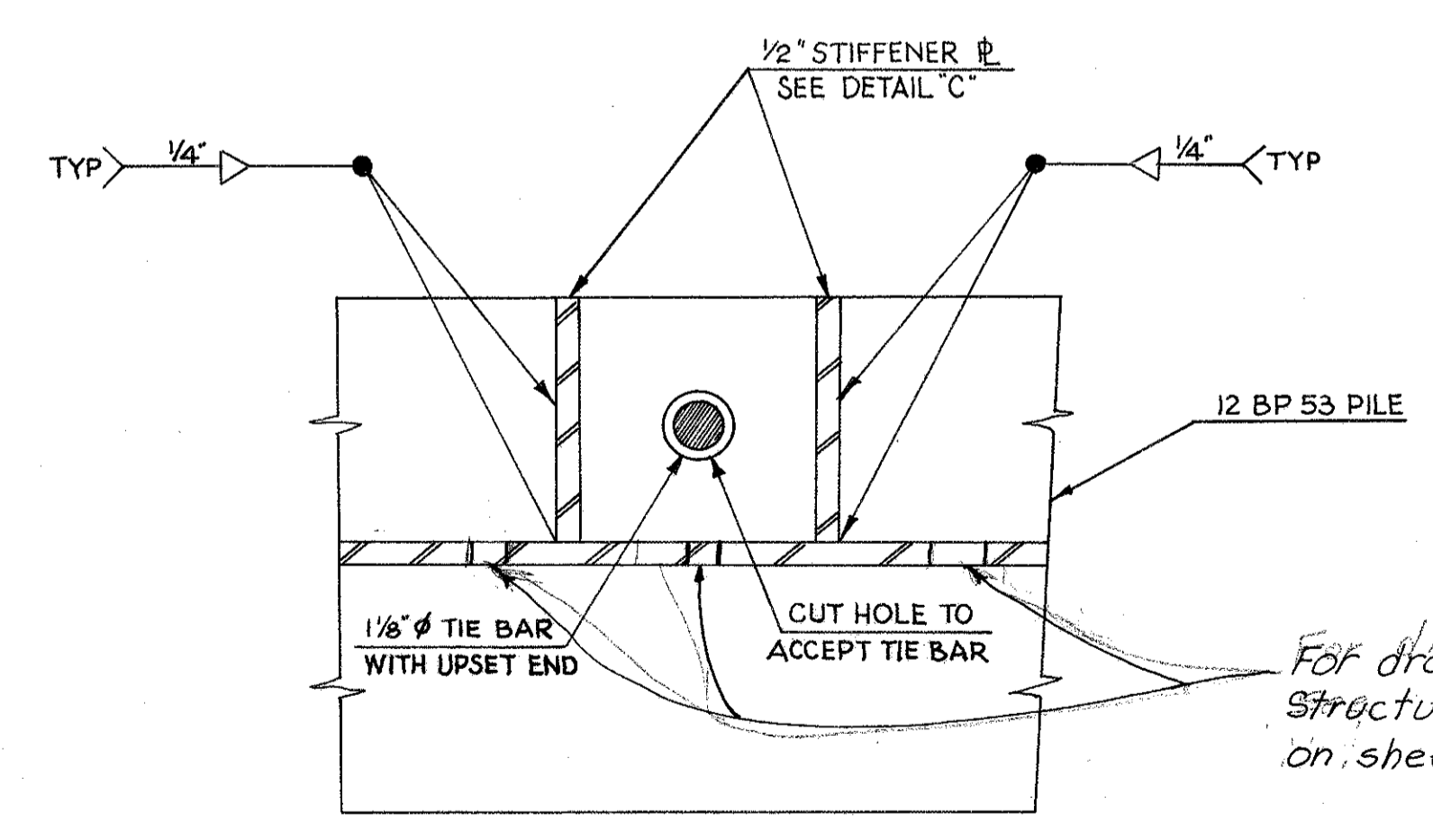
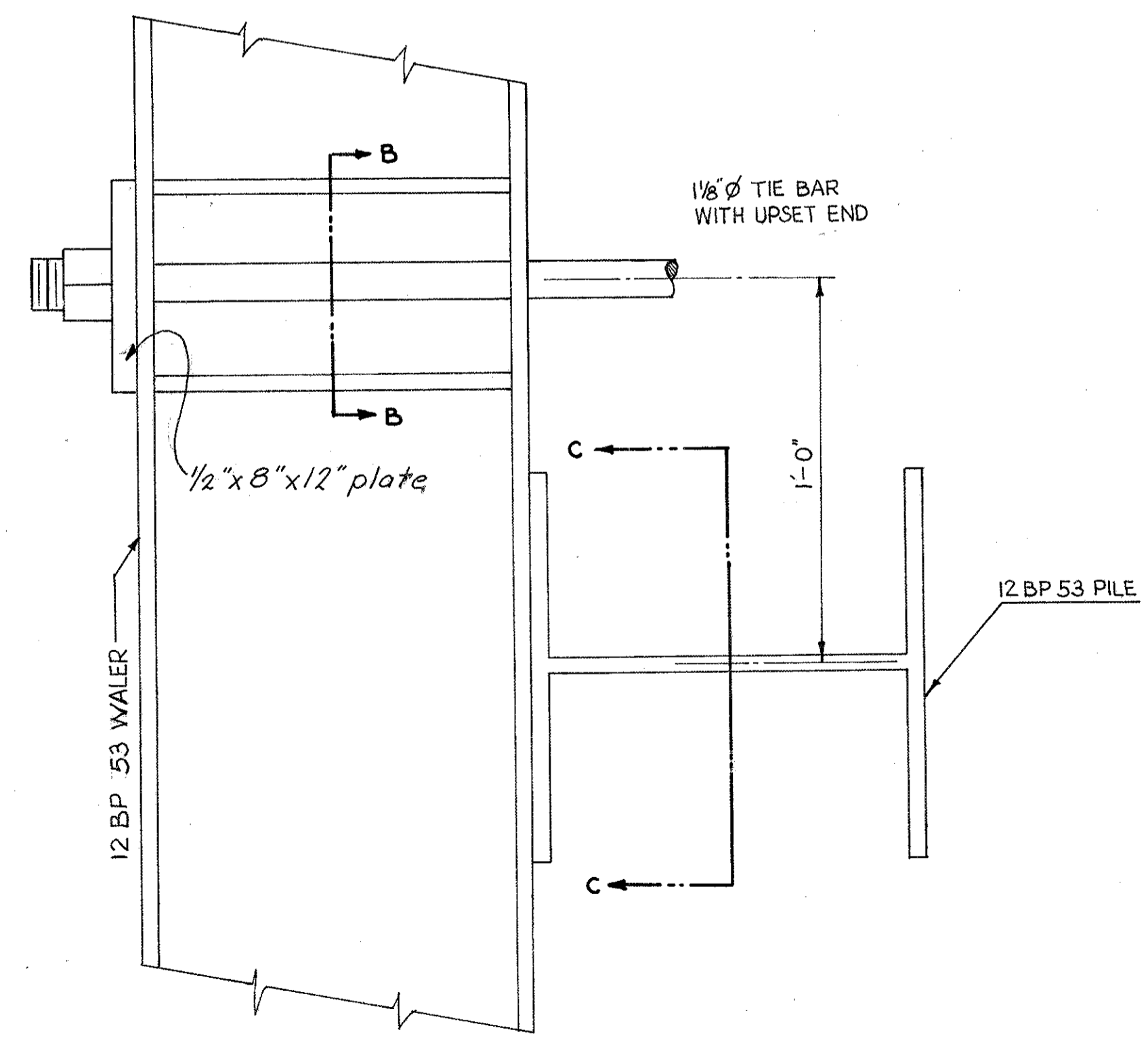
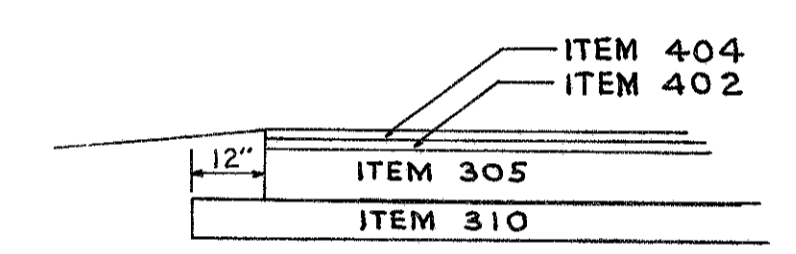
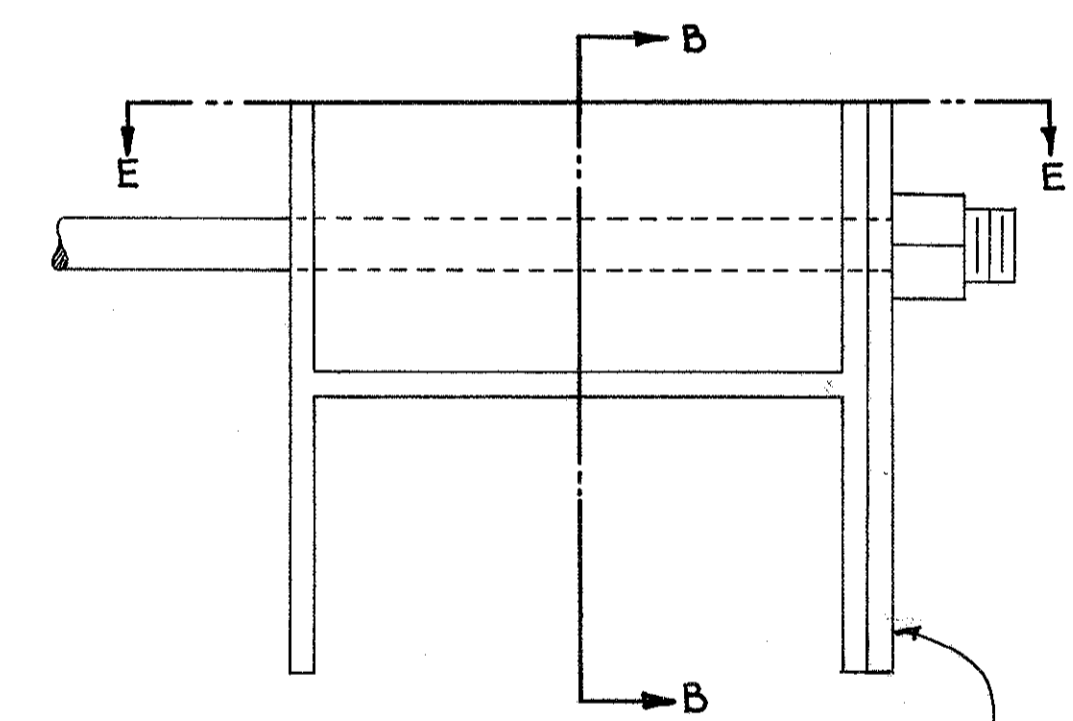
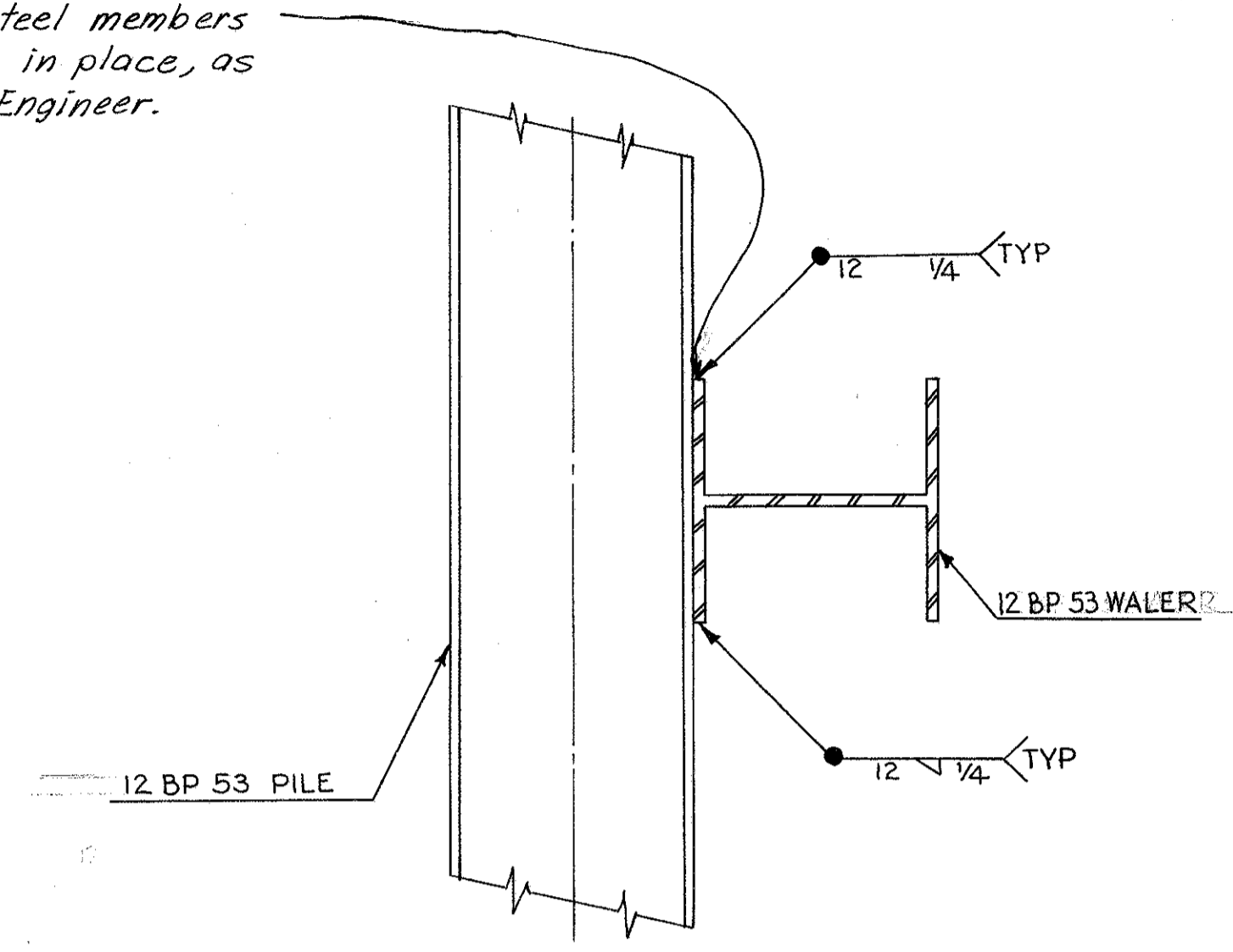
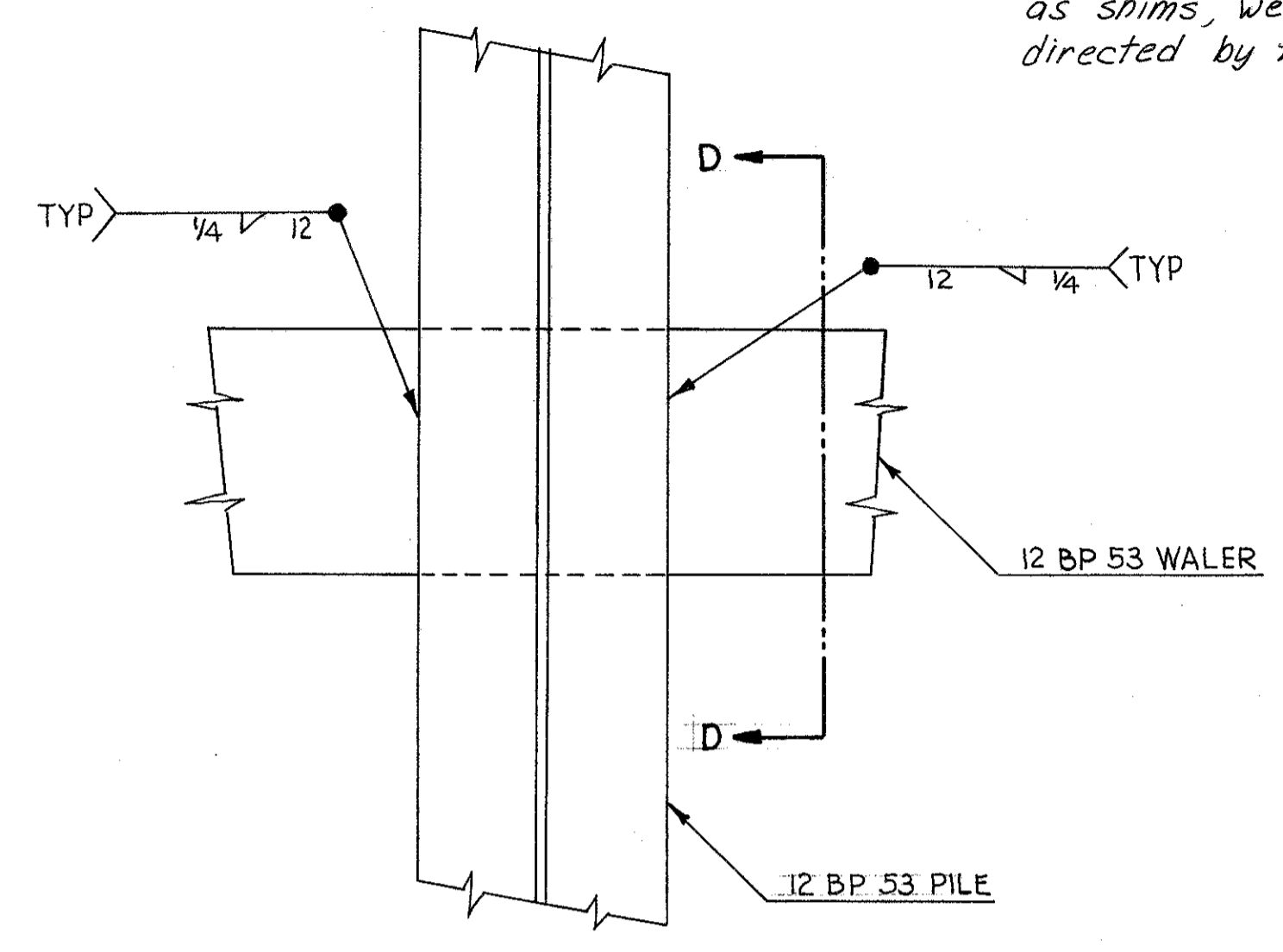


NOTE
Any space between the existing pile and waler shall be built up using modified steel members as shims, welded in place, as directed by the Engineer.



- ① EXISTING 6" ASPHALT CONCRETE
- ② EXISTING 5" CONCRETE BASE
- ③ ITEM 404 1" ASPHALT CONCRETE SURFACE COURSE
- ④ ITEM 402 1/2" ASPHALT CONCRETE LEVELING COURSE
- ⑤ ITEM 310 6" SUBBASE, GRADING B
- ⑥ ITEM 305 8" PORTLAND CEMENT CONCRETE BASE
- ⑦ ITEM 407 TACK COAT



For drainage holes see Structural Steel Note on sheet No. 2.

