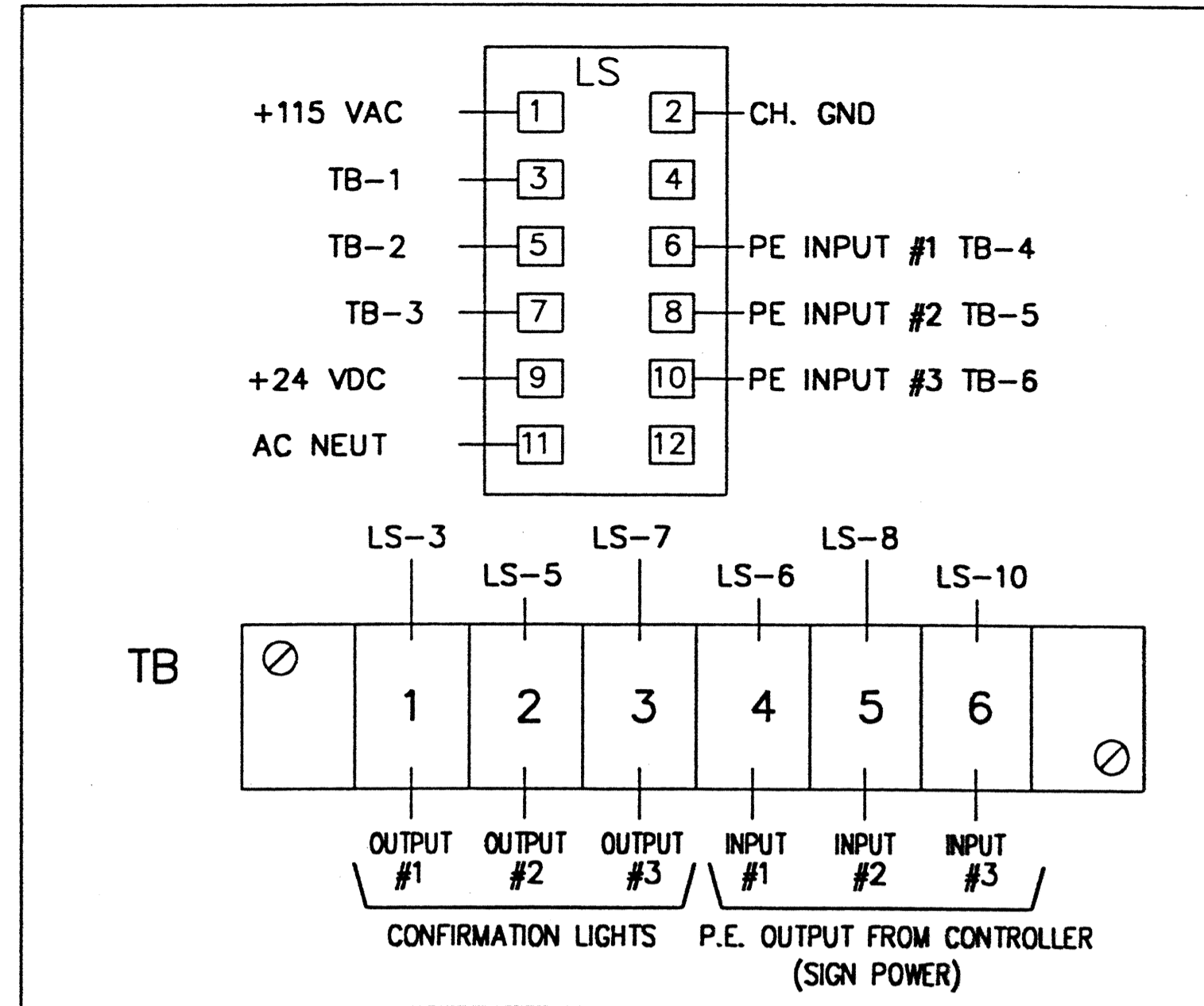


CITY OF MENTOR PREEMPT CONFIRMATION LIGHT ISOLATION PANEL

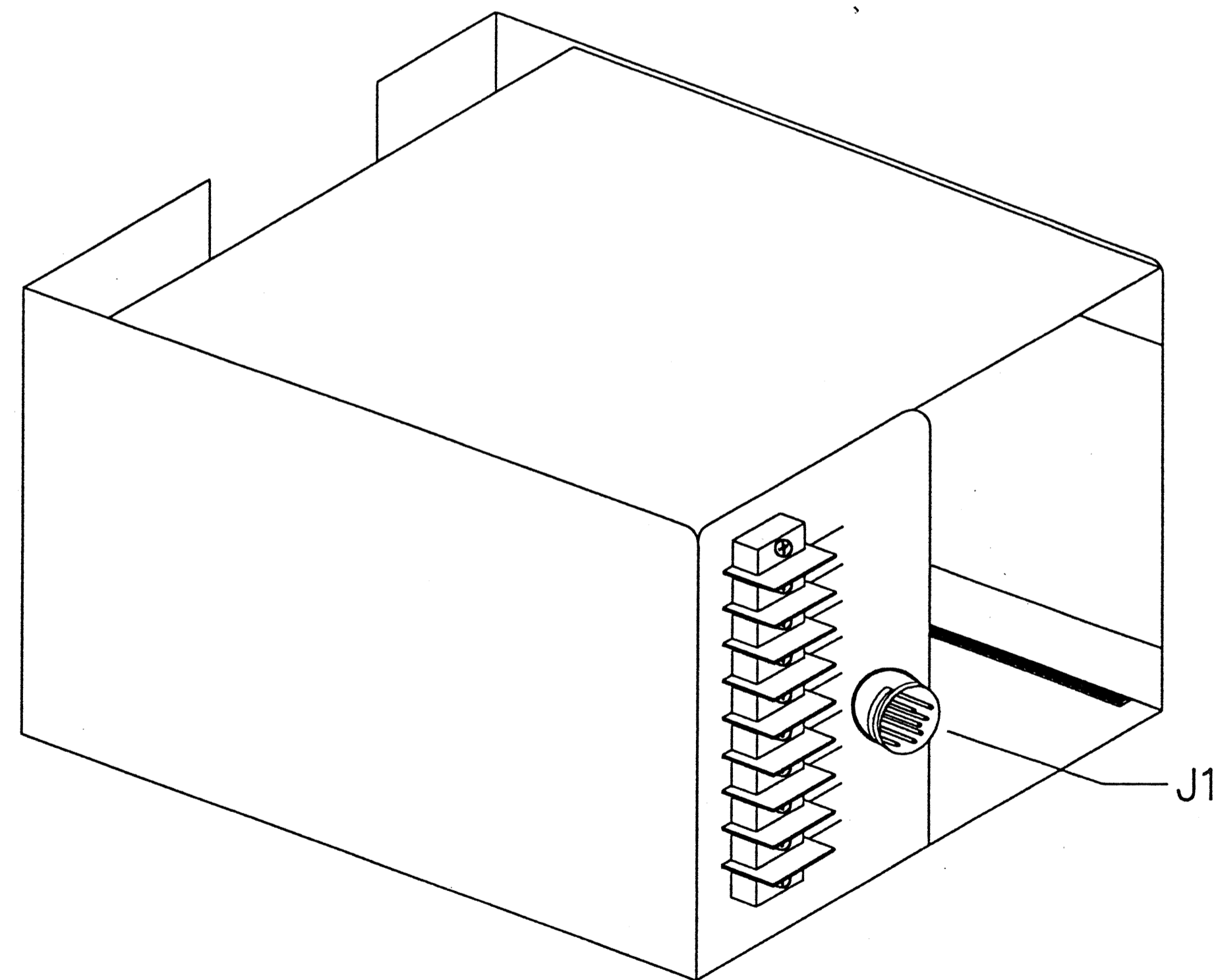


CONFIDENTIALITY AGREEMENT

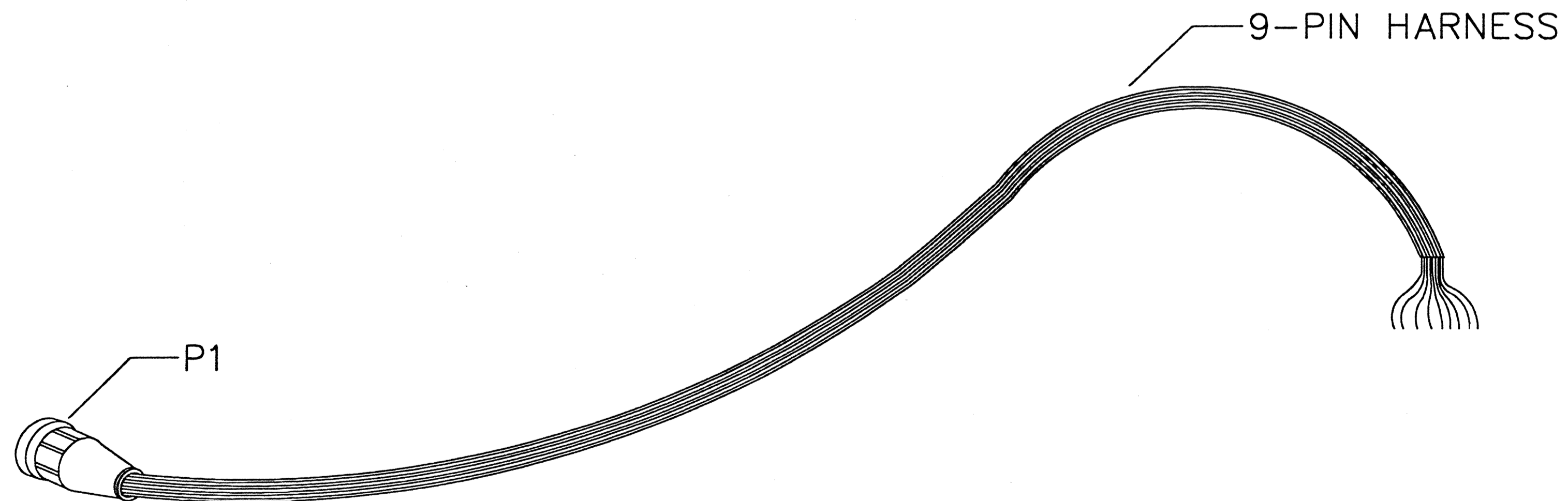
ALL USERS OF THIS DOCUMENT AGREE TO RESPECT AND KEEP CONFIDENTIAL ALL PROPRIETARY INFORMATION PERTAINING TO PATH MASTER, INC. AND ITS CUSTOMERS. ANY DUPLICATION OR TRANSMISSION OF THIS ENTIRE DOCUMENT OR ANY PART THEREOF, WITHOUT WRITTEN CONSENT OF PATH MASTER, INC. IS STRICTLY PROHIBITED.

9-PIN HARNESS WIRING

WIRE COLOR	PIN NUMBER	FUNCTION
BLACK	1	115 VAC (AC+)
WHITE	2	AC RETURN (AC-)
GREEN	3	CHASSIS GROUND
	4	NOT USED
GRAY/WHITE	5	Ch A PRIORITY CONTROL OUTPUT
BLUE/WHITE	6	Ch B PRIORITY CONTROL OUTPUT
VIOLET/WHITE	7	Ch C PRIORITY CONTROL OUTPUT
BROWN/WHITE	8	Ch D PRIORITY CONTROL OUTPUT
GRAY/BLACK	9	LOGIC GROUND



MODEL 760 CARD RACK



DATE: 08-05-00 H:\2000\00123\DWG\123TCN3.DWG - PLOT SCALE = 1:20 (PLOT 1)

REV. NO.	DESCRIPTION	DATE	BY	CHK'D.

DATE:	AUGUST, 2000
DRAWN BY:	A.E.P./T.E.B.
CHECKED BY:	A.E.P.
APPROVED BY:	I.M.H.
F.B. No.	PG.

SCALE	
HOR.	1" = 20'
VERT.	---
CONTRACT No.	
00123	
SHEET NO.	OF
74	74