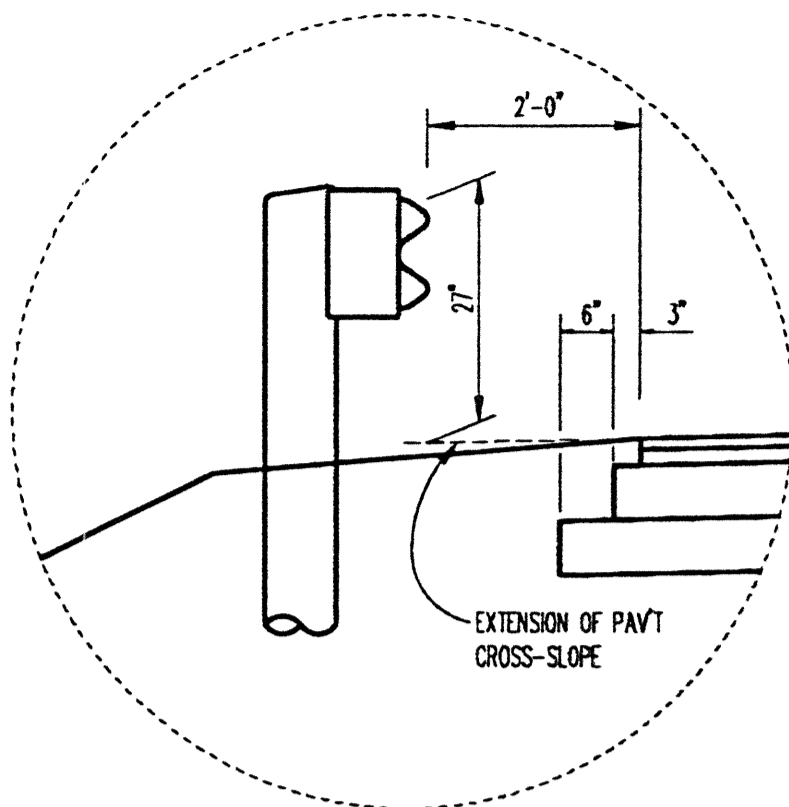
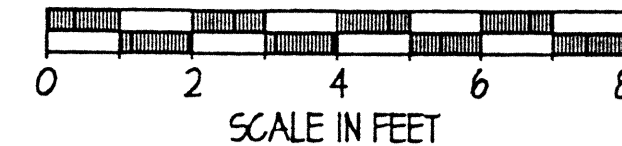
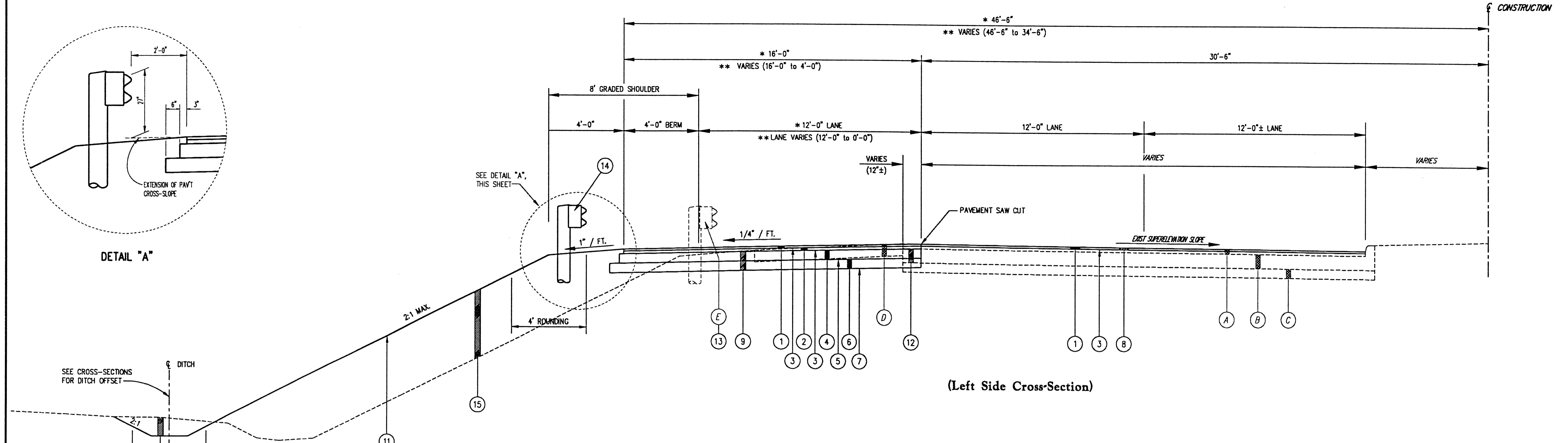


NOTE: TYPICAL SECTIONS ARE INTENDED TO SHOW GENERAL ROADWAY AND PAVEMENT FEATURES ONLY. FOR FURTHER DETAILS SEE PLAN SHEETS, PROFILES AND INTERSECTION DETAILS.



DETAIL "A"



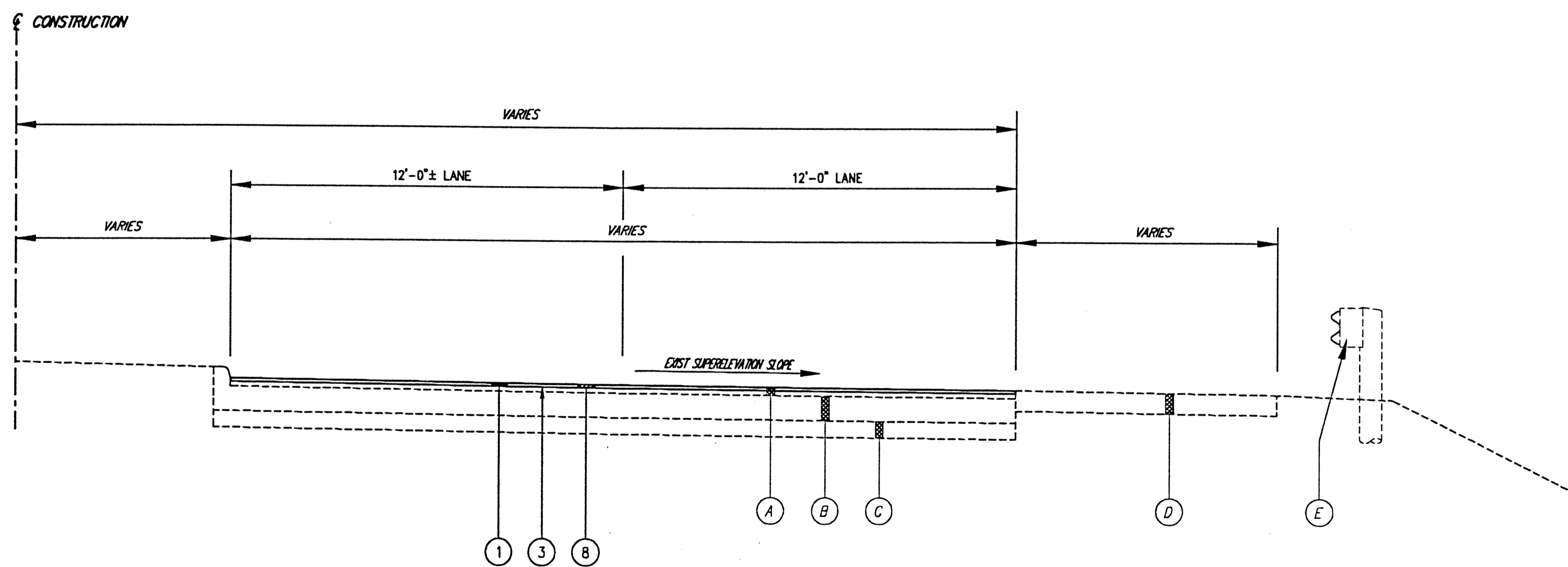
(Left Side Cross-Section)

PROPOSED LEGEND

- ① ITEM 404 - 1-1/4" ASPHALT CONCRETE
- ② ITEM 402 - 1-3/4" ASPHALT CONCRETE
- ③ ITEM 407 - TACK COAT (@ 0.10 GALS./S.Y.)
- ④ ITEM 301 - 6" BITUMINOUS AGGREGATE BASE
- ⑤ ITEM 408 - BITUMINOUS PRIME COAT (@ 0.40 GAL./S.Y.)
- ⑥ ITEM 304 - 6" AGGREGATE BASE
- ⑦ ITEM 203 - SUBGRADE COMPACTION
- ⑧ ITEM 254 - PAVEMENT PLANING, BITUMINOUS (1-1/4" DEPTH)
- ⑨ ITEM 203 - EXCAVATION INCLUDING EMBANKMENT CONSTRUCTION
- ⑩ ITEM 203 - LINEAR GRADING, AS PER PLAN (See Note)
- ⑪ ITEM 667 - SEEDING AND JUTE MATTING
- ⑫ ITEM 202 - PAVEMENT REMOVED
- ⑬ ITEM 202 - GUARDRAIL REMOVED
- ⑭ ITEM 606 - GUARDRAIL, TYPE 5
- ⑮ ITEM 203 - EMBANKMENT

EXISTING LEGEND

- (A) EXISTING ASPHALT PAVEMENT (3"± AVG. THICKNESS)
- (B) EXISTING REINFORCED CONCRETE (9"± AVG. THICKNESS)
- (C) EXISTING SUBBASE (6"± THICKNESS)
- (D) EXISTING AGGREGATE SHOULDER
- (E) EXISTING GUARDRAIL



(Right Side Cross-Section)

S.R. 306 TYPICAL SECTION

* Sta. 7+50 to Sta. 11+50
 ** Sta. 11+50 to Sta. 12+00

H:\2000\00123\DWG\00123TS4.DWG - PLOT SCALE = 1:32



REV. NO.	DESCRIPTION	DATE	BY	CHK'D.

STATE ROUTE 84
 INTERIM WIDENING & RESURFACING
 IMPROVEMENTS
 CITY OF MENTOR, LAKE COUNTY, OHIO

DATE: AUGUST, 2000
 DRAWN BY: J.J.C.
 CHECKED BY: C.C.H.
 APPROVED BY: _____
 F.B. No. _____ PG. _____

STATE ROUTE 306
 TYPICAL SECTIONS

SCALE	
HOR.	3/8"=1'-0"
VERT.	3/8"=1'-0"
CONTRACT No.	
00123	
SHEET NO.	OF
11	74