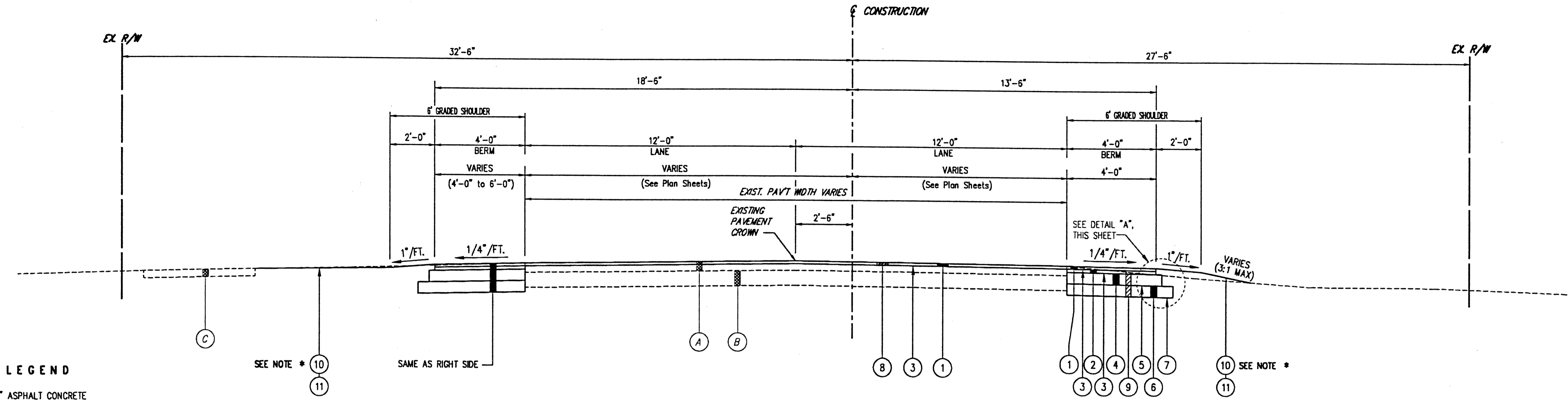
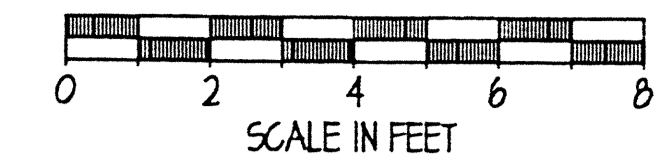


NOTE: TYPICAL SECTIONS ARE INTENDED TO SHOW GENERAL ROADWAY AND PAVEMENT FEATURES ONLY. FOR FURTHER DETAILS SEE PLAN SHEETS, PROFILES AND INTERSECTION DETAILS.

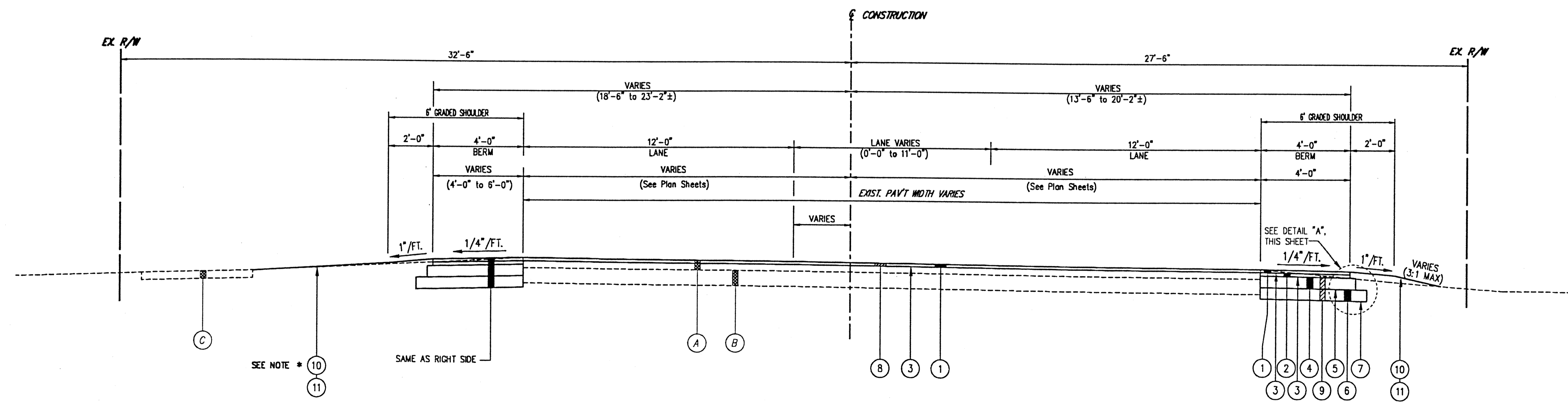
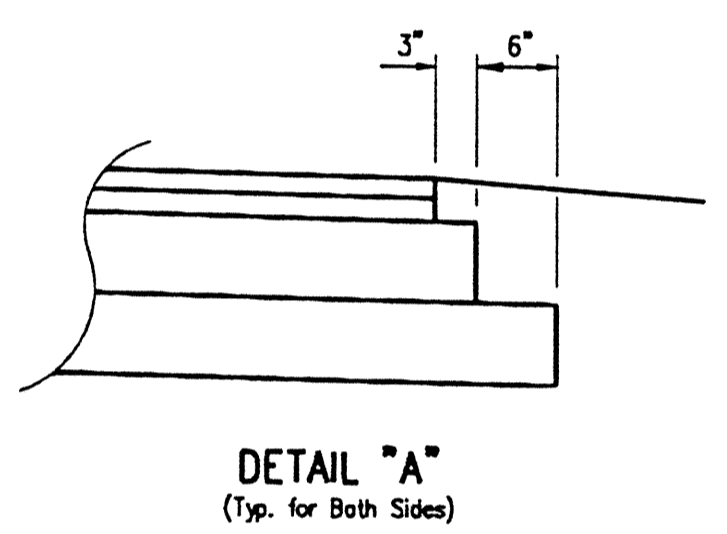


S.R. 84 TYPICAL SECTION
Sta. 115+65 to Sta. 122+80

- PROPOSED LEGEND**
- ITEM 404 - 1-1/4" ASPHALT CONCRETE
 - ITEM 402 - 1-3/4" ASPHALT CONCRETE
 - ITEM 407 - TACK COAT (0.10 GALS./S.Y.)
 - ITEM 301 - 6" BITUMINOUS AGGREGATE BASE
 - ITEM 408 - BITUMINOUS PRIME COAT (0.40 GAL./S.Y.)
 - ITEM 304 - 6" AGGREGATE BASE
 - ITEM 203 - SUBGRADE COMPACTION
 - ITEM 254 - PAVEMENT PLANING, BITUMINOUS (1-1/4" DEPTH)
 - ITEM 203 - EXCAVATION INCLUDING EMBANKMENT CONSTRUCTION
 - ITEM 203 - LINEAR GRADING, AS PER PLAN (See Note)
 - ITEM SPEC. - RESTORATION (SEEDING & MULCHING)

- EXISTING LEGEND**
- (A) EXISTING ASPHALT PAVEMENT (5"± AVG. THICKNESS)
 - (B) EXISTING CONCRETE BASE (20"± WIDE) (8"± AVG. THICKNESS)
 - (C) EXISTING 5'± WIDE CONCRETE WALK

* NOTE: WHEN DIRECTED BY THE ENGINEER, THE CONTRACTOR SHALL CONSTRUCT SWALES TO DRAIN INTO PROPOSED AND/OR EXISTING DRAINAGE STRUCTURES AT LOCATIONS SHOWN ON THE PLAN SHEETS. THE COST OF CONSTRUCTING THESE SWALES SHALL BE INCLUDED IN THE UNIT BID PRICE FOR ITEM 203, LINEAR GRADING, AS PER PLAN.



S.R. 84 TYPICAL SECTION
Sta. 122+80 to Sta. 127+00

H:\2000\00123\DWG\0123152.DWG - PLOT SCALE = 1:32

CT Consultants
Engineers • Architects • Planners

REV. NO.	DESCRIPTION	DATE	BY	CHK'D.

STATE ROUTE 84
INTERIM WIDENING & RESURFACING
IMPROVEMENTS
CITY OF MENTOR, LAKE COUNTY, OHIO

DATE: JULY, 2000
DRAWN BY: J.J.C.
CHECKED BY: C.C.H.
APPROVED BY: _____
F.B. No. _____ PG. _____

STATE ROUTE 84
TYPICAL SECTIONS

SCALE	
HOR. 3/8"=1'-0"	
VERT. 3/8"=1'-0"	
CONTRACT No.	
00123	
SHEET NO.	OF
10	74