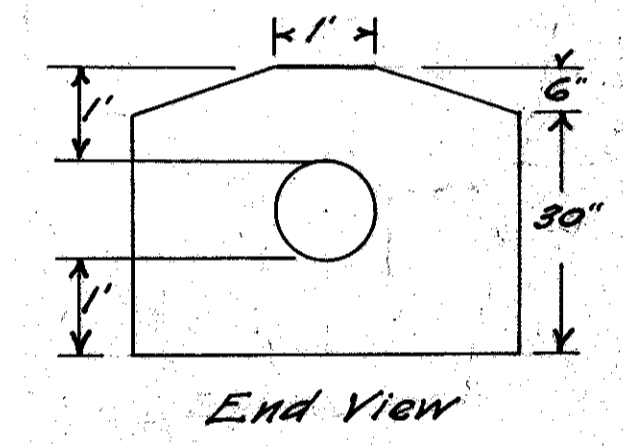
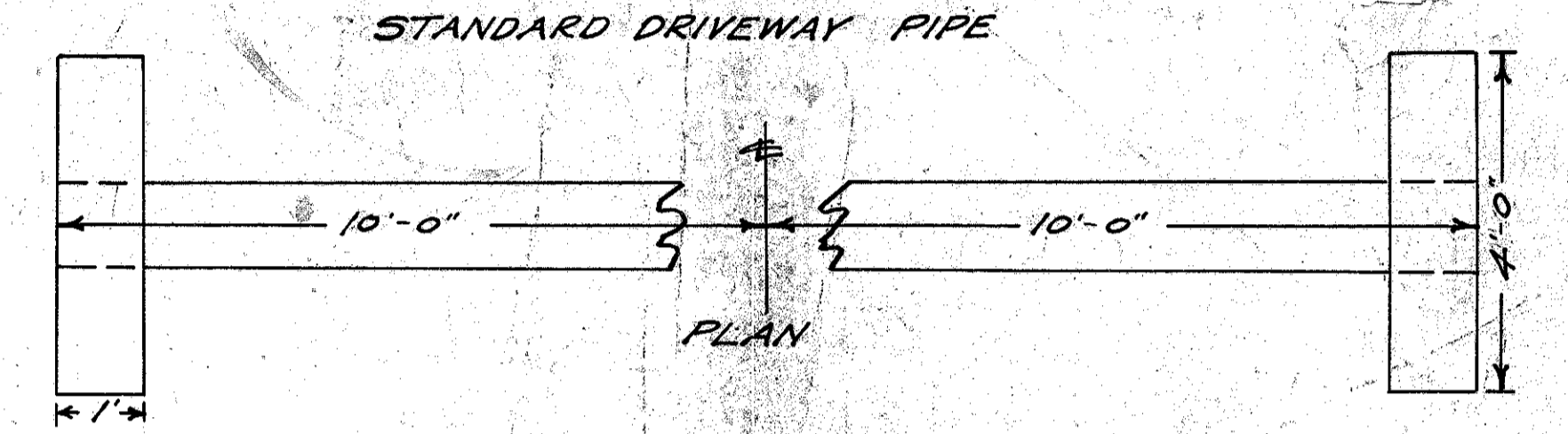
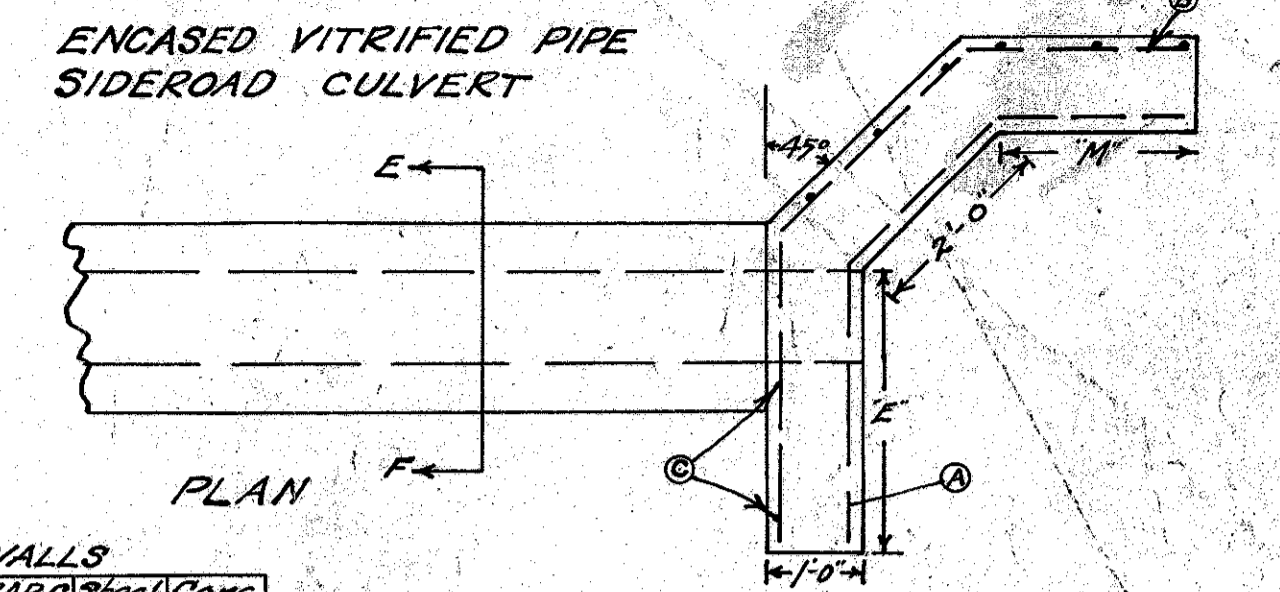


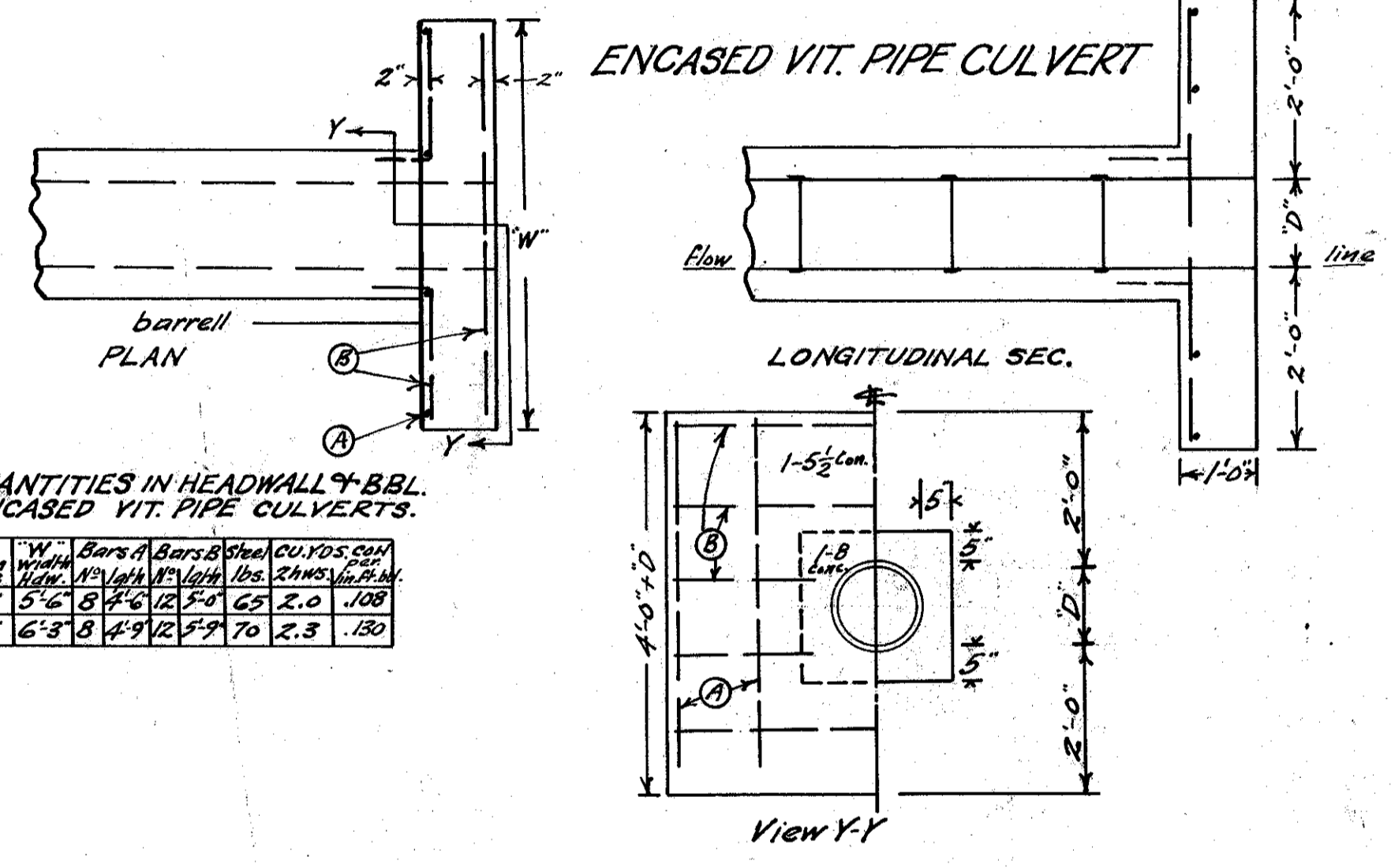
NOTE: Catch basins to be constructed instead of inlet basins where directed by the engineer.

QUANTITIES IN HEADWALLS

Diam. Pipe	M	E	H	BAR A	BAR B	BAR C	Steel lbs	Conc. cu yds	
12"	2'-0"	3'-0"	4'-6"	2	7	2	8	60	2.6

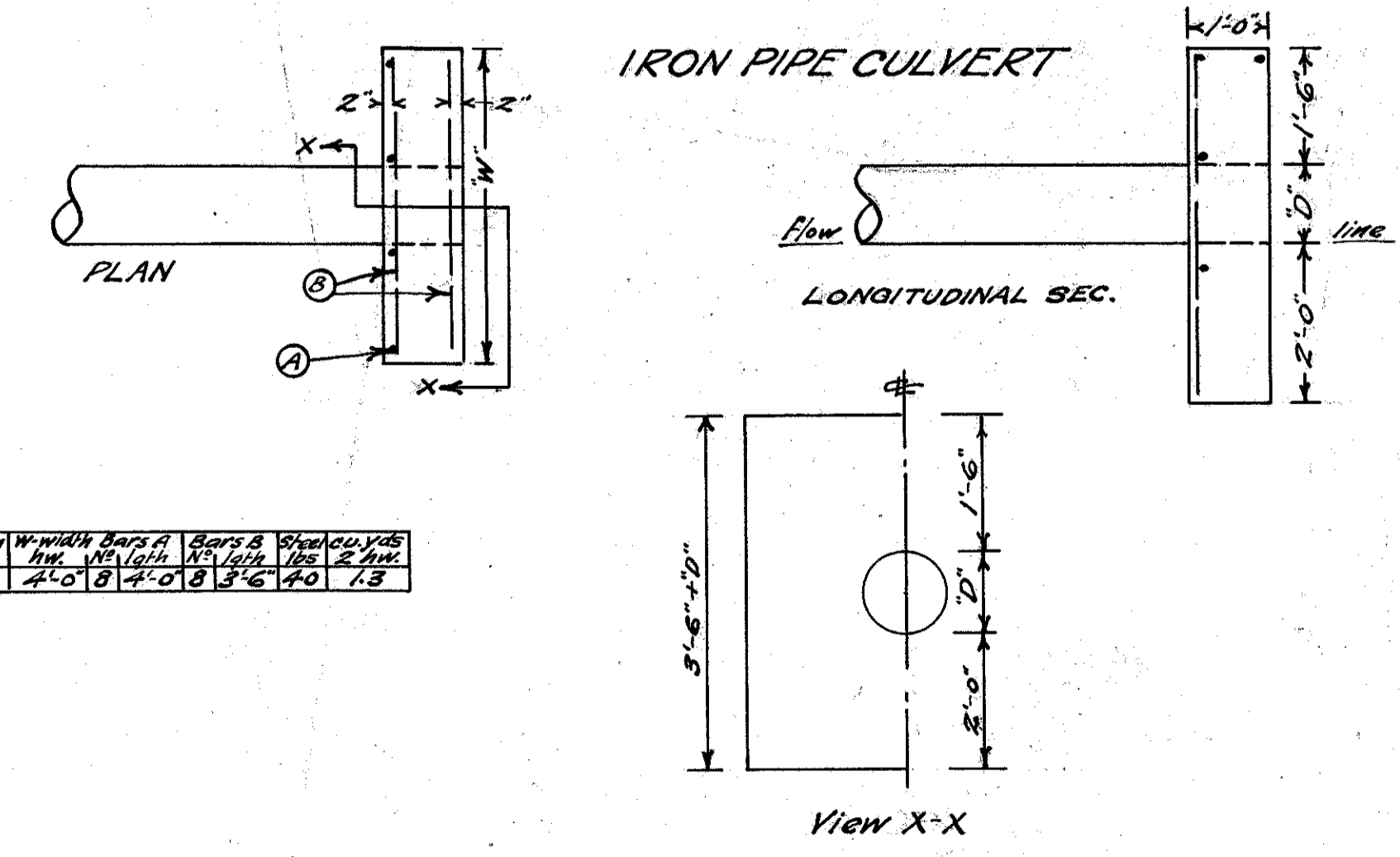


EST. QUANTITIES
12" Corr. Pipe 20 lin. ft.
1-5 1/2" Conc. (2 hrs.) 0.78 cu. yds.



QUANTITIES IN HEADWALL & B.B.L. ENCASED VIT. PIPE CULVERTS.

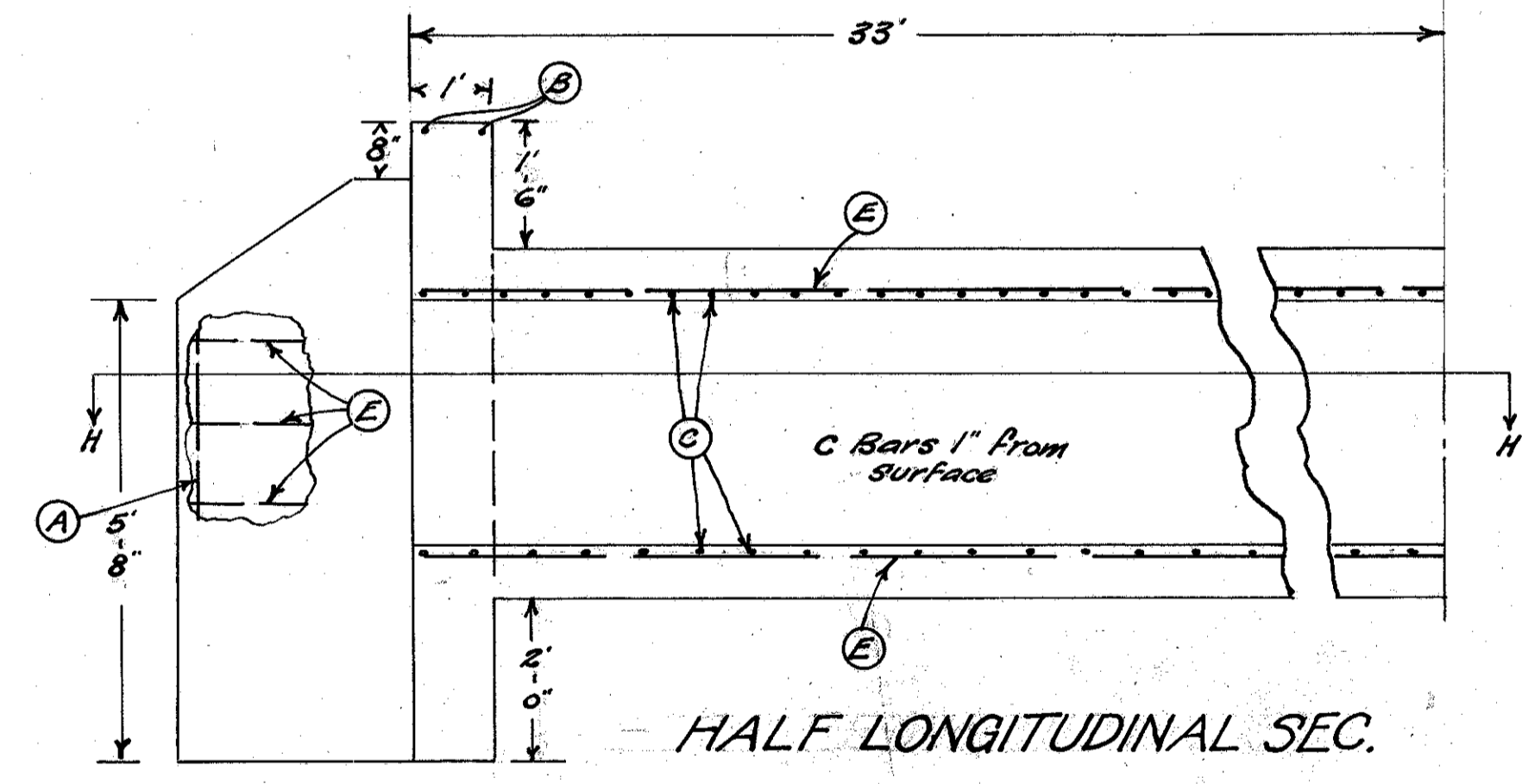
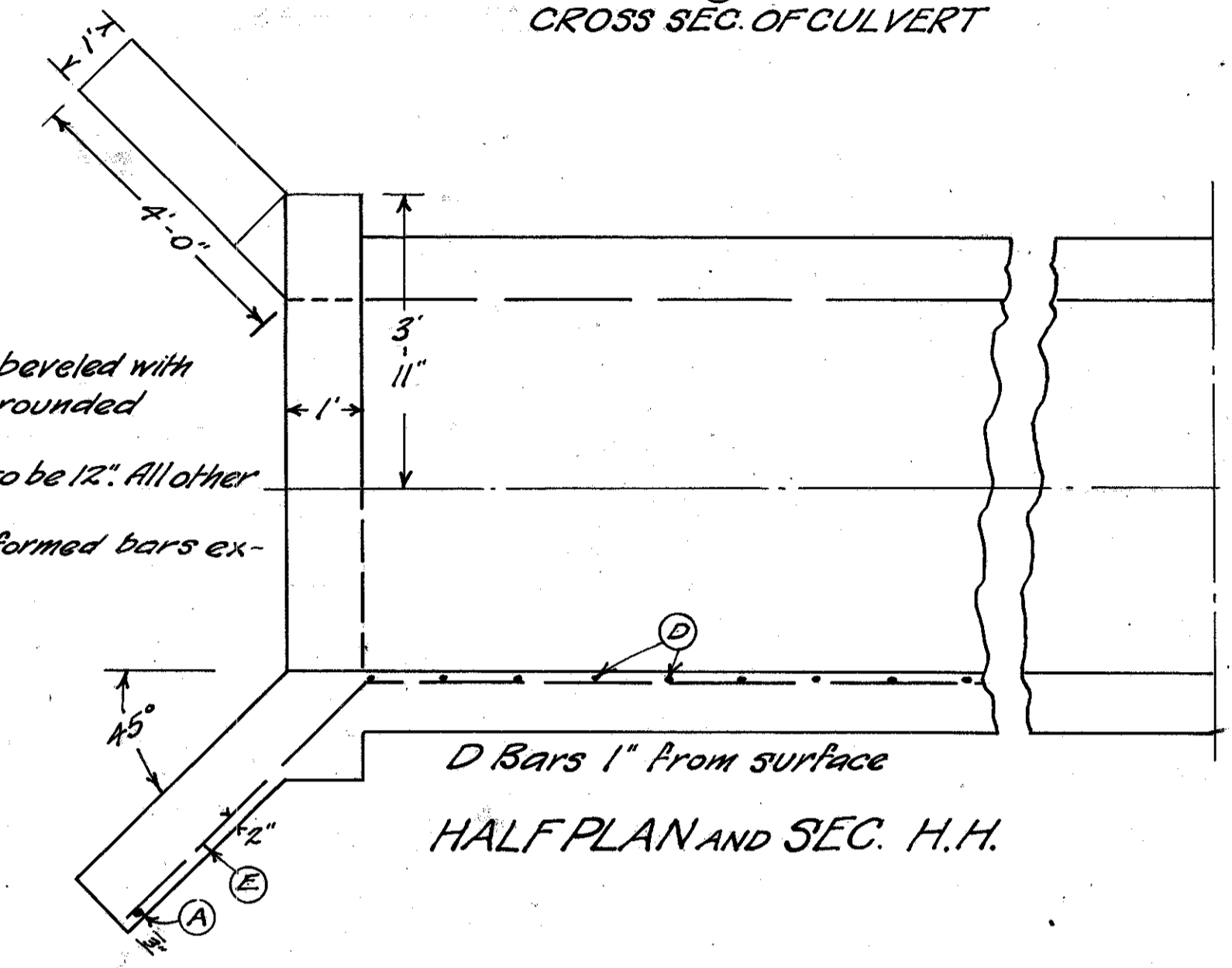
Diam. Pipe	W	Bars A	Bars B	Steel lbs	CONC. cu yds
12"	5'-6"	8	12	65	2.0
15"	6'-3"	8	12	70	2.3



Diam. Pipe	W	Bars A	Bars B	Steel lbs	CONC. cu yds
12"	4'-0"	8	8	36	1.3

GENERAL NOTES

All exposed edges shall be either beveled with angular strips built into forms or rounded with an edging tool.
Reinforcing bars may be spliced the lap to be 12". All other bars to be full length.
All reinforcing steel to be 3/8" deformed bars except where noted in tables.



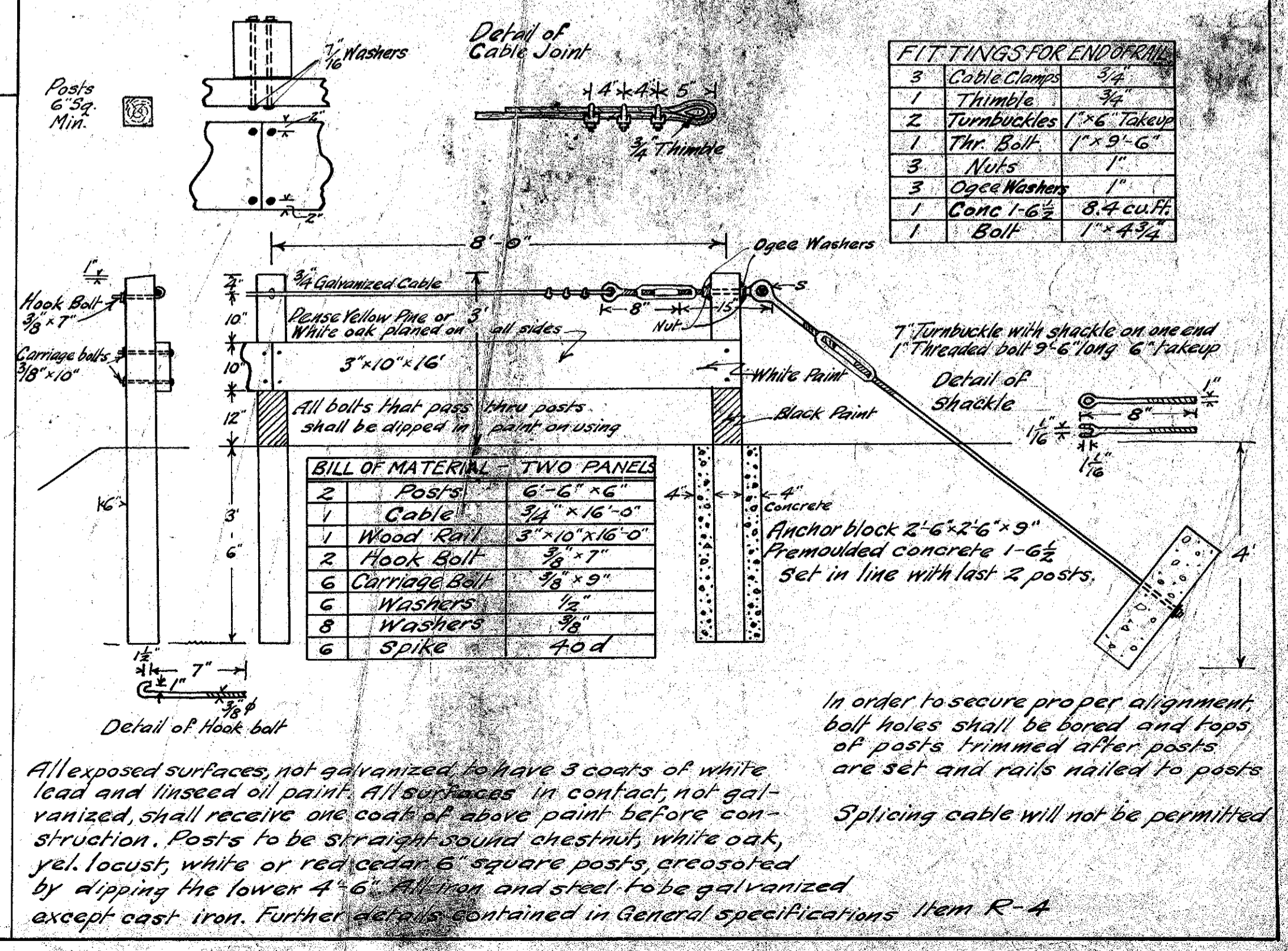
STEEL LIST

BAR	SIZE	N ^o	LENGTH	Spacing	Spaced
Bars A	1/2"	4	5'-6"	Top & Bottom	
" B	3/8"	4	7'-6"		
" C	1/2"	232	6'-3"	6" 8"	
" D	3/8"	132	4'-0"		1'-0"
" E	3/8"	10	65'-6"		1'-0"
" E	3/8"	6	73'-0"		1'-0"

EST. QUANTITIES

Excav.	55.00 cu yds
Conc. 1-5 1/2"	38.30 cu yds
Reinf. steel	2033 lbs.

PLAN of 5'x3' Box CULVERT STA. 183+20



FITTINGS FOR END OF CABLE

3	Cable Clamps	3/4"
1	Thimble	3/4"
2	Turnbuckles	1" x 6" Takeup
1	Thr. Bolt	1" x 9'-6"
3	Nuts	1"
3	Open Washers	1"
1	Conc. 1-6 1/2"	8.4 cu ft.
1	Bolt	1" x 4 3/4"

BILL OF MATERIAL - TWO PANELS

2	Posts	6'-6" x 6"
1	Cable	3/4" x 16'-0"
1	Wood Rail	5' x 10' x 16'-0"
2	Hook Bolt	3/8" x 7"
6	Carriage Bolt	3/8" x 9"
6	Washers	3/8"
8	Washers	1/8"
6	Spike	40d

All exposed surfaces, not galvanized, to have 3 coats of white lead and linseed oil paint. All surfaces in contact, not galvanized, shall receive one coat of above paint before construction. Posts to be straight sound chestnut, white oak, yel. locust, white or red cedar. 6" square posts, creosoted by dipping the lower 4'-6" of them and steel to be galvanized except cast iron. Further details contained in General specifications Item R-4.

In order to secure proper alignment bolt holes shall be bored and tops of posts trimmed after posts are set and rails nailed to posts.

Splicing cable will not be permitted.