

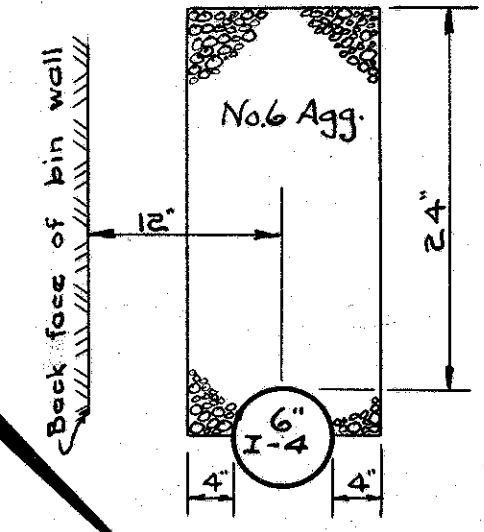
LAKE COUNTY  
S.H. 520 SEC. C (PT)  
S.H. 563 SEC. B (PT)

BEGIN PART 2  
STA. 208 + 52

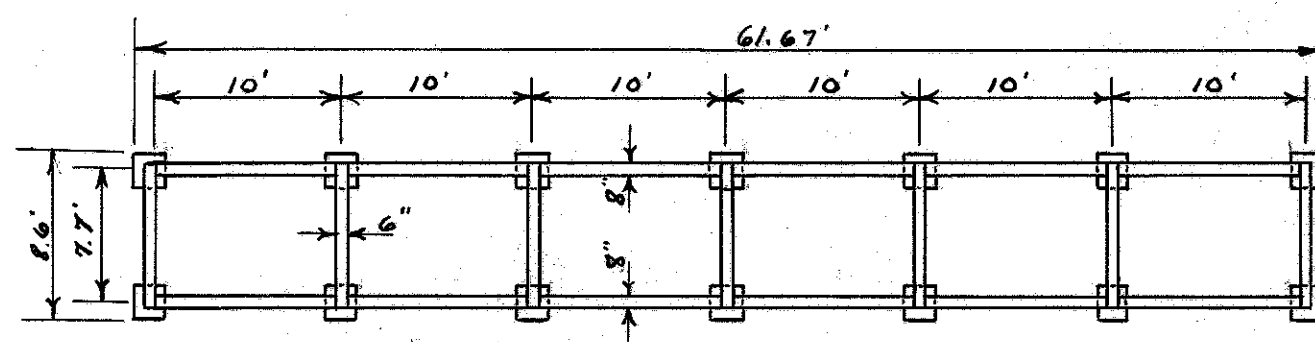
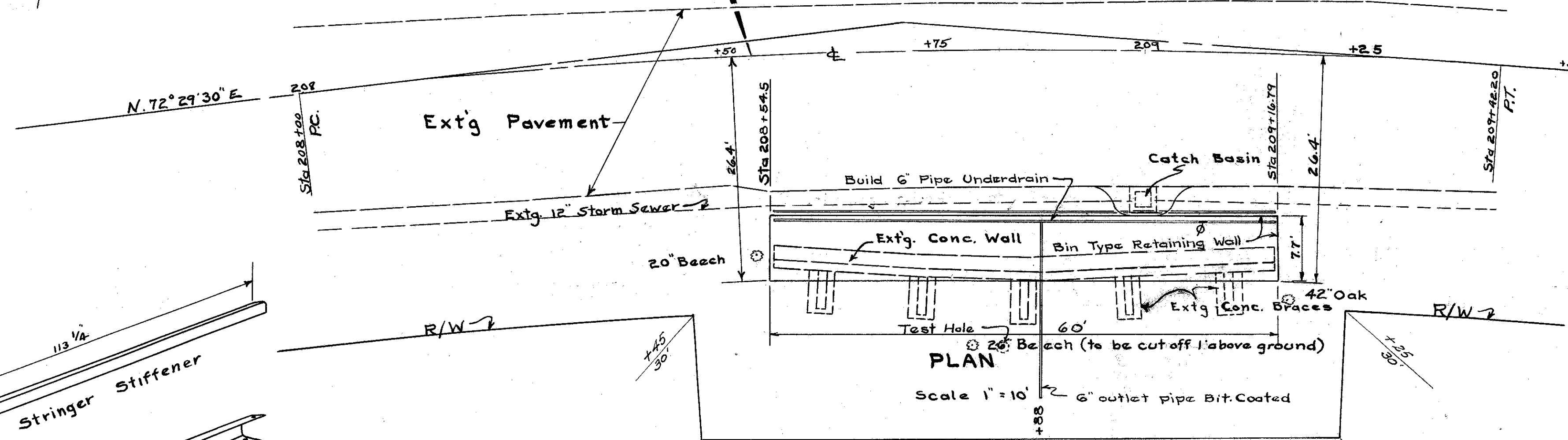
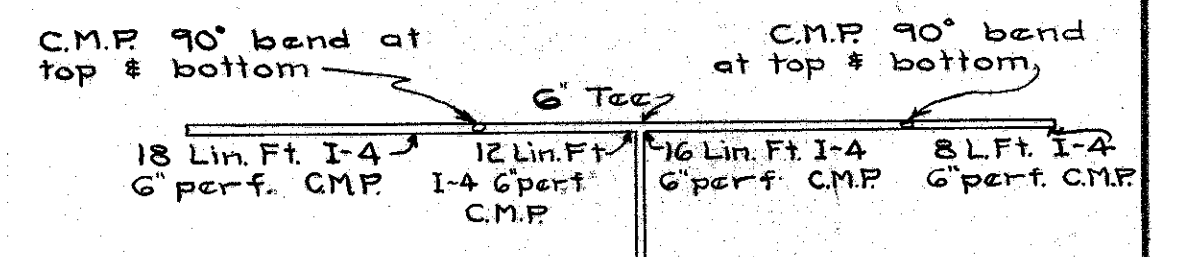
± CURVE DATA  
PI = Sta. 208 + 71.33  
Δ = 11° 14'  
R = 725.30'  
D = 7° 54'  
T = 71.33'  
L = 142.20'

END PART 2  
STA. 210 + 70

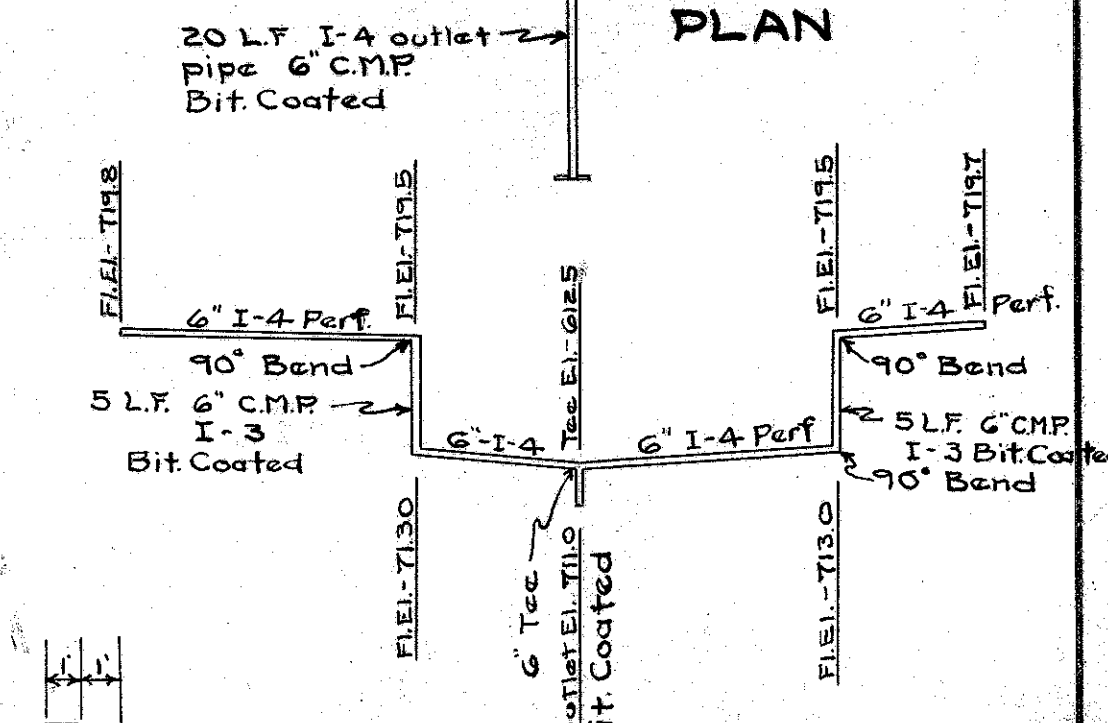
SECTION OF PIPE UNDERDRAIN



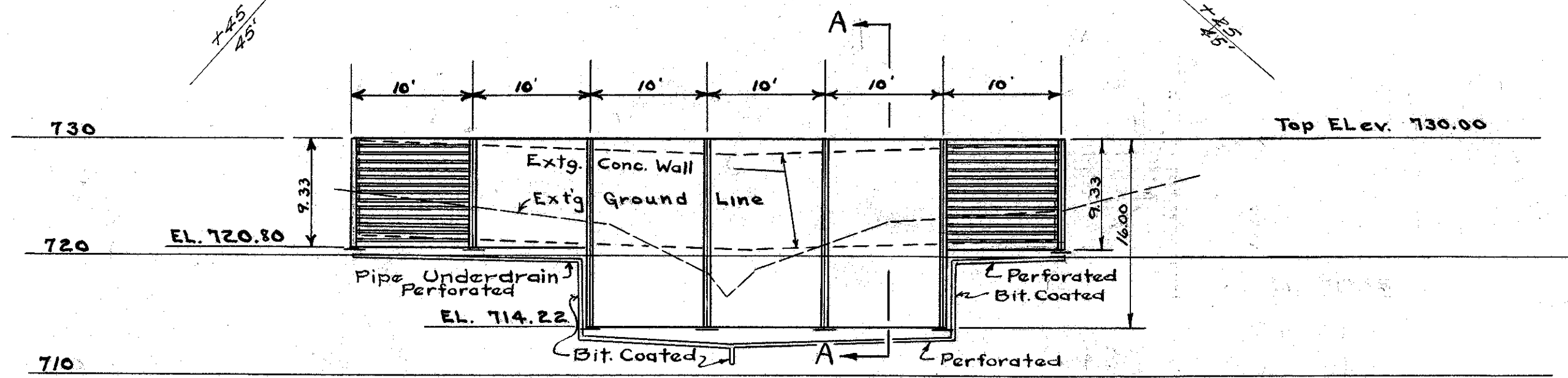
DETAIL OF PIPE UNDERDRAIN  
(Not drawn to scale)



FOUNDATION PLAN

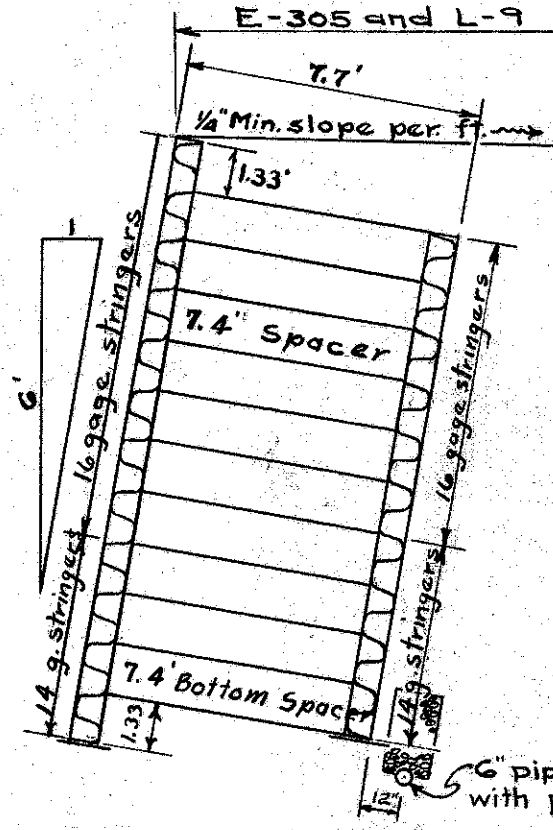


ELEVATION



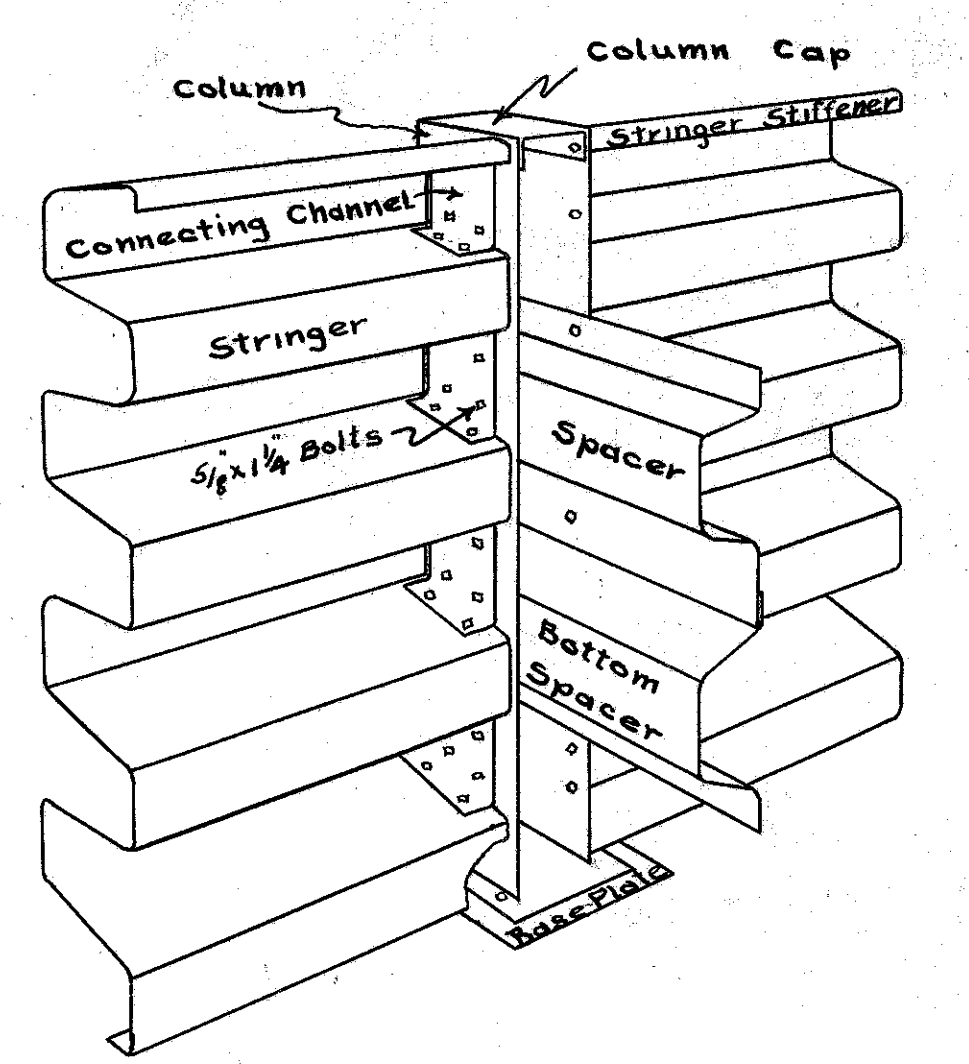
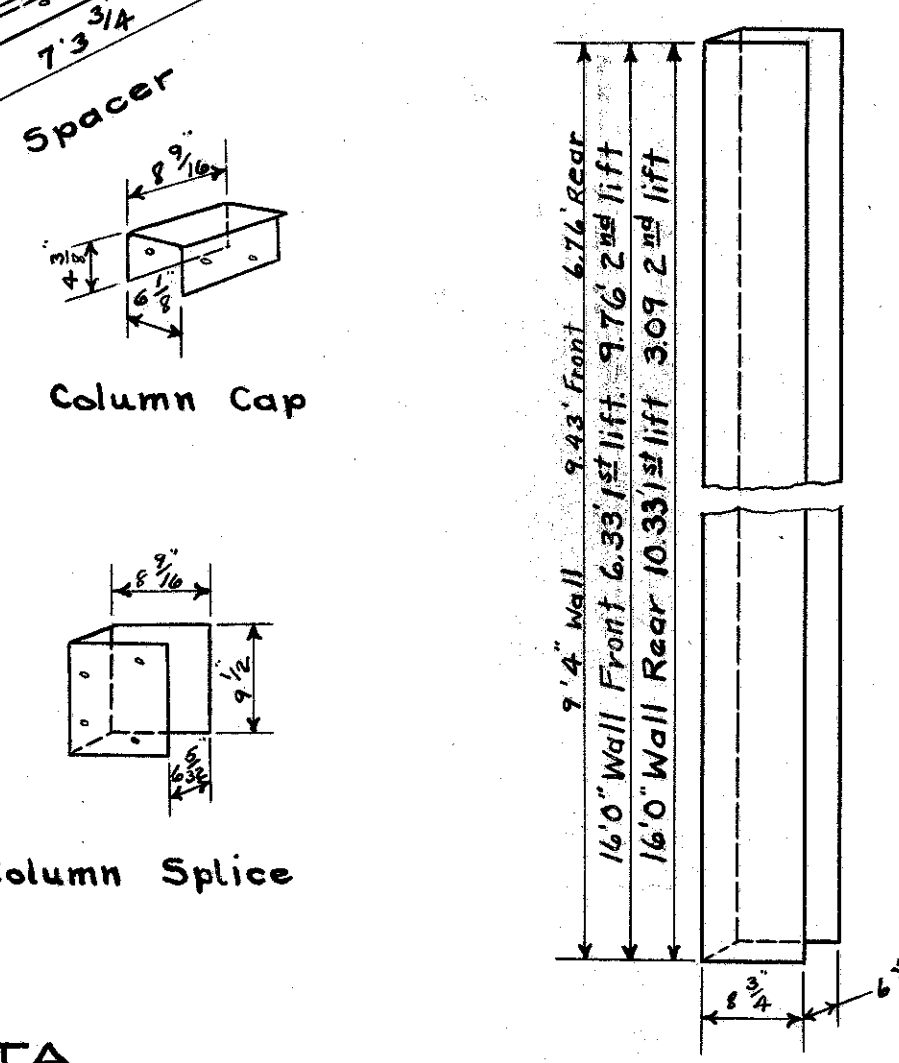
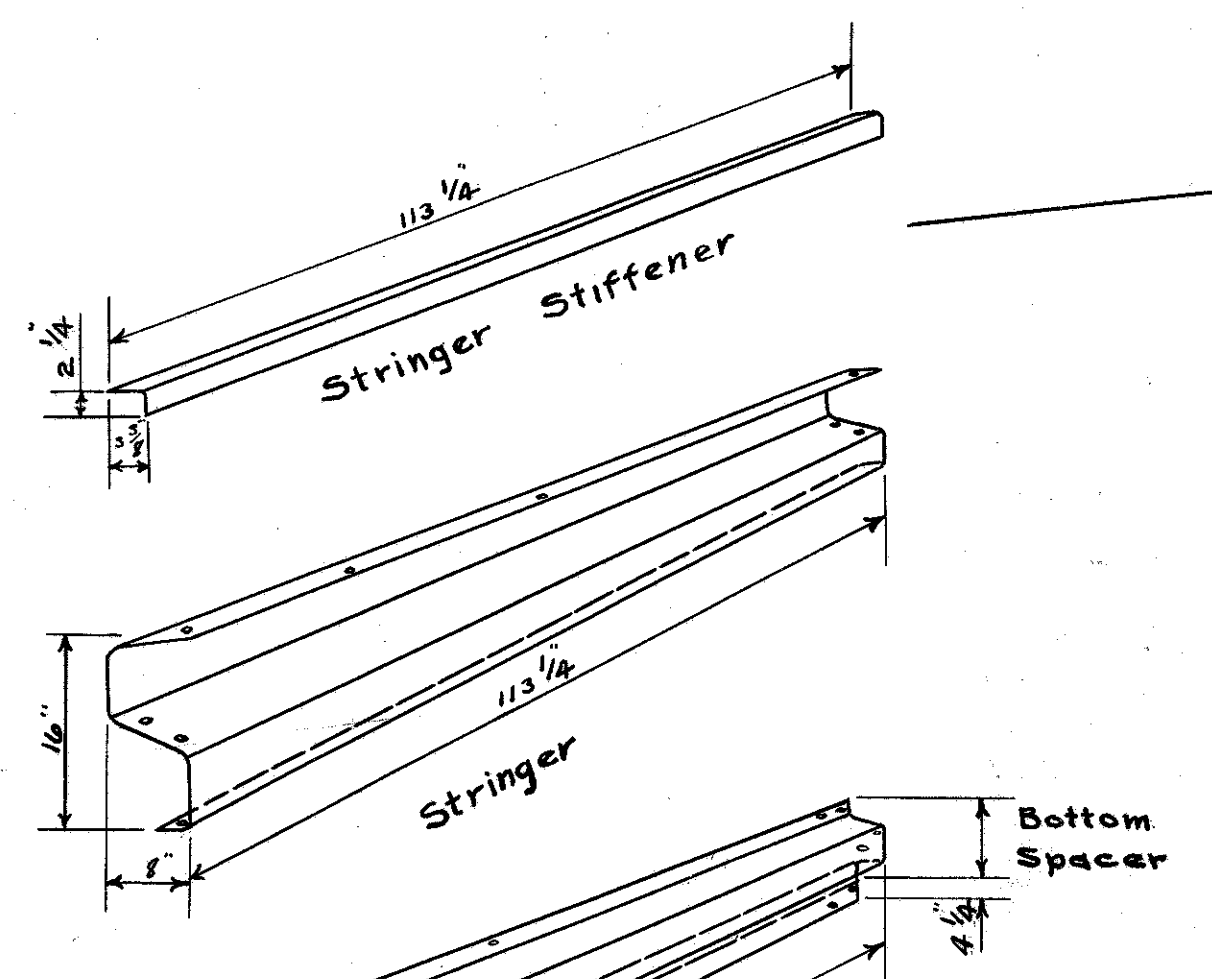
ELEVATION

Scale 1" = 10'



SECTION A-A

TYPICAL SECTIONS OF EXT'G. WALL



CORNER OF BIN ASSEMBLY

BILL OF MATERIALS

Item	Quantity	Size	Description
Stringer	78	9.5'	16g P Sec. 9.33' 16 Wall
Spacer	12	7.4'	16g T Sec. 9.33' Wall
Bottom Spacer	7	7.4'	16g T Sec.
Str. Stiffener	6	9.5'	8g.
Column	3	9.43'	Front 9.33' Wall
Column	3	6.76'	Rear 9.33' Wall
Column Cap	7		
Bearing Plate	14	16" x 16"	1g.
Bearing Plate	14	20" x 20"	1g
Stringer	24	9.5'	14g P Sec. 16" Wall
Spacer	36	7.4'	16g T Sec. 16" Wall
Column Splice	8	6.33'	16" Wall
Column	4		1 <sup>st</sup> lift Front 16" Wall
Column	4		2 <sup>nd</sup> lift Front 16" Wall
Column	4		1 <sup>st</sup> lift Rear 16" Wall
Column	4		2 <sup>nd</sup> lift Rear 16" Wall
Necessary			Bolts, Nuts, and Grip Nuts

**NOTES**  
All temporary supports at the wall, including cables, timber braces, and timber retaining wall shall be carefully removed and stored along the right of way available for removal by the State. Cost of removal of temporary supports shall be included in lump sum bid for "Removal of existing structures." Guard rail will be removed and reset by the State.

All of the area between the face of the wall and the existing pavement shall be backfilled to the lines shown on Section A-A and on the cross sections. Embankment shall be constructed in accordance with methods set forth in Sec. E-105 of the Specifications. The word "wall" above indicates closed face retaining wall.

WORK REQUIRED

Remove existing concrete wall and braces. Build new Cellular retaining wall as shown. Backfill bins and between wall and existing pavement as shown on cross sections. Build pipe underdrain with outlet as shown.

ESTIMATED QUANTITIES

Item	Description	Quantity	Unit
E-2	Excavation for structures	178	Cu.
E-4	Borrow	180	Cu.
S-24	Removal of existing structures	1	Lu
SS-132	Precast reinforced concrete cellular retaining wall or Galvanized metal cellular retaining wall	760	Sq
I-4	6" Underdrains Sec. M-G.4 (b)	54	Lin
I-4	6" Pipe Outlets for Underdrains Sec. M-G.4 (c)	20	Lin
I-5	6" Pipe Specials Sec. M-G.4 (c)	5	Eq
I-3	6" Roadway Drainage Sec. M-G.4 (c)	10	Lin

TEST HOLE DATA

