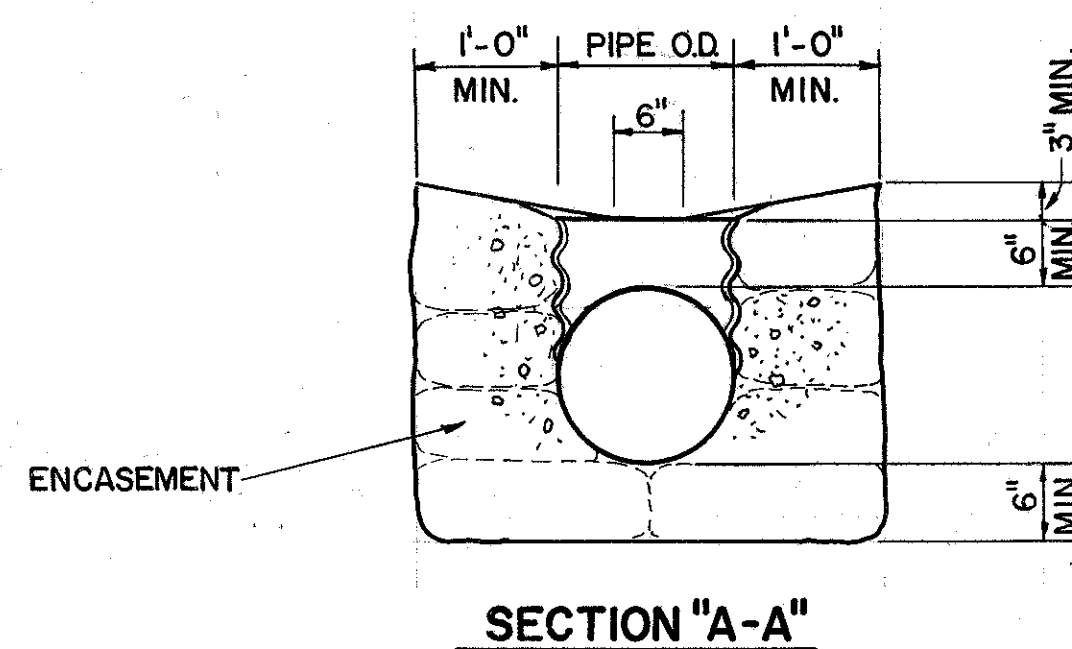
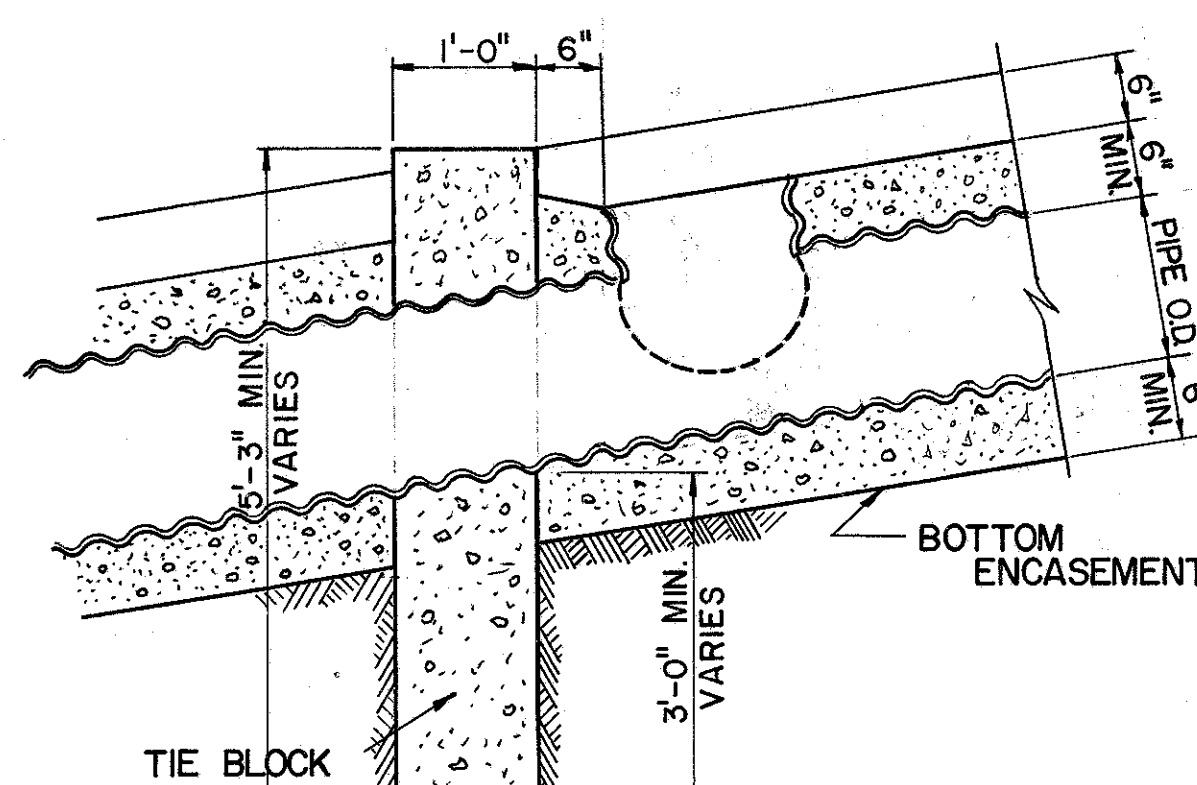


TIE BLOCK DETAIL



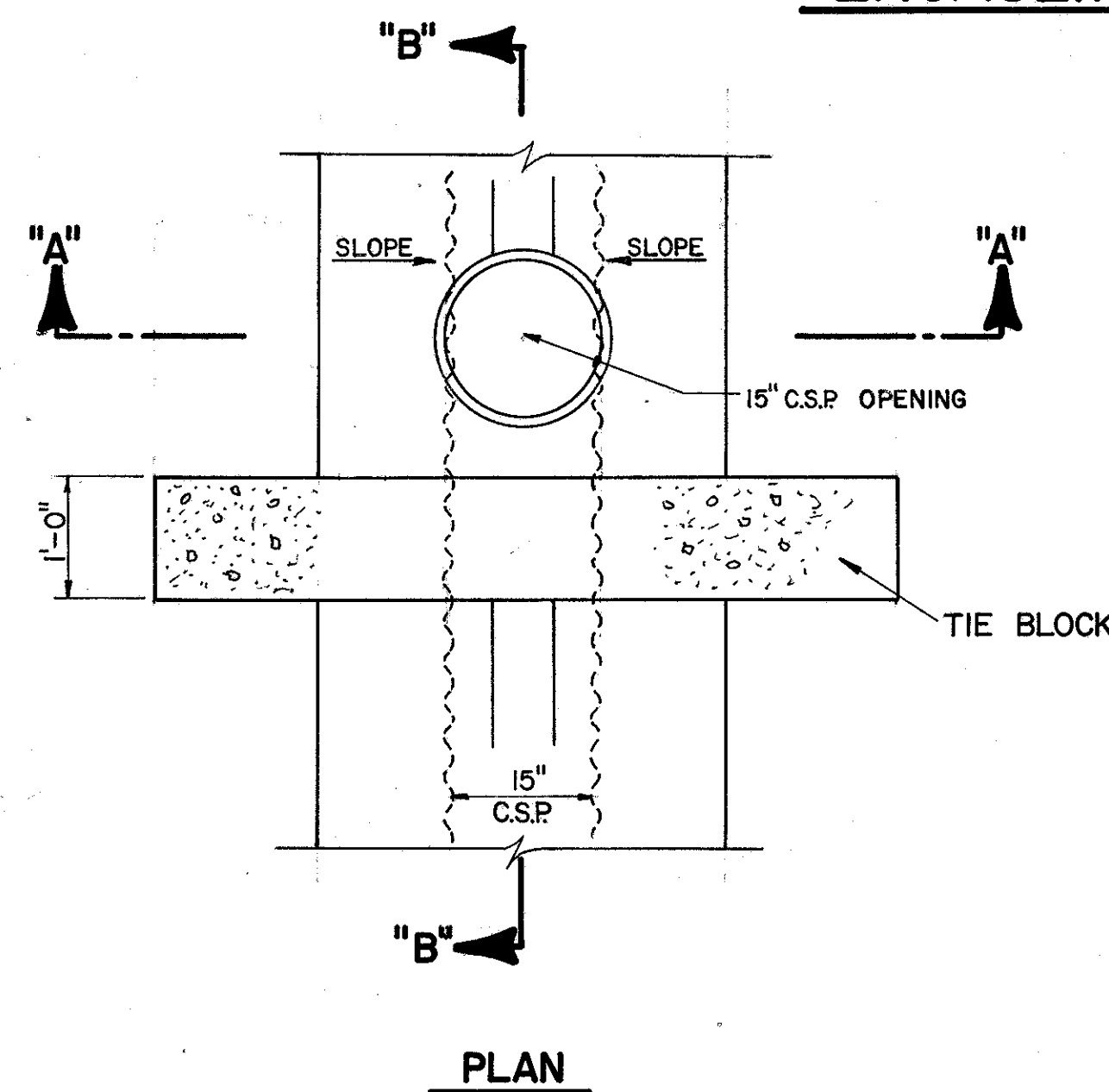
SECTION "A-A"



SECTION "B-B"

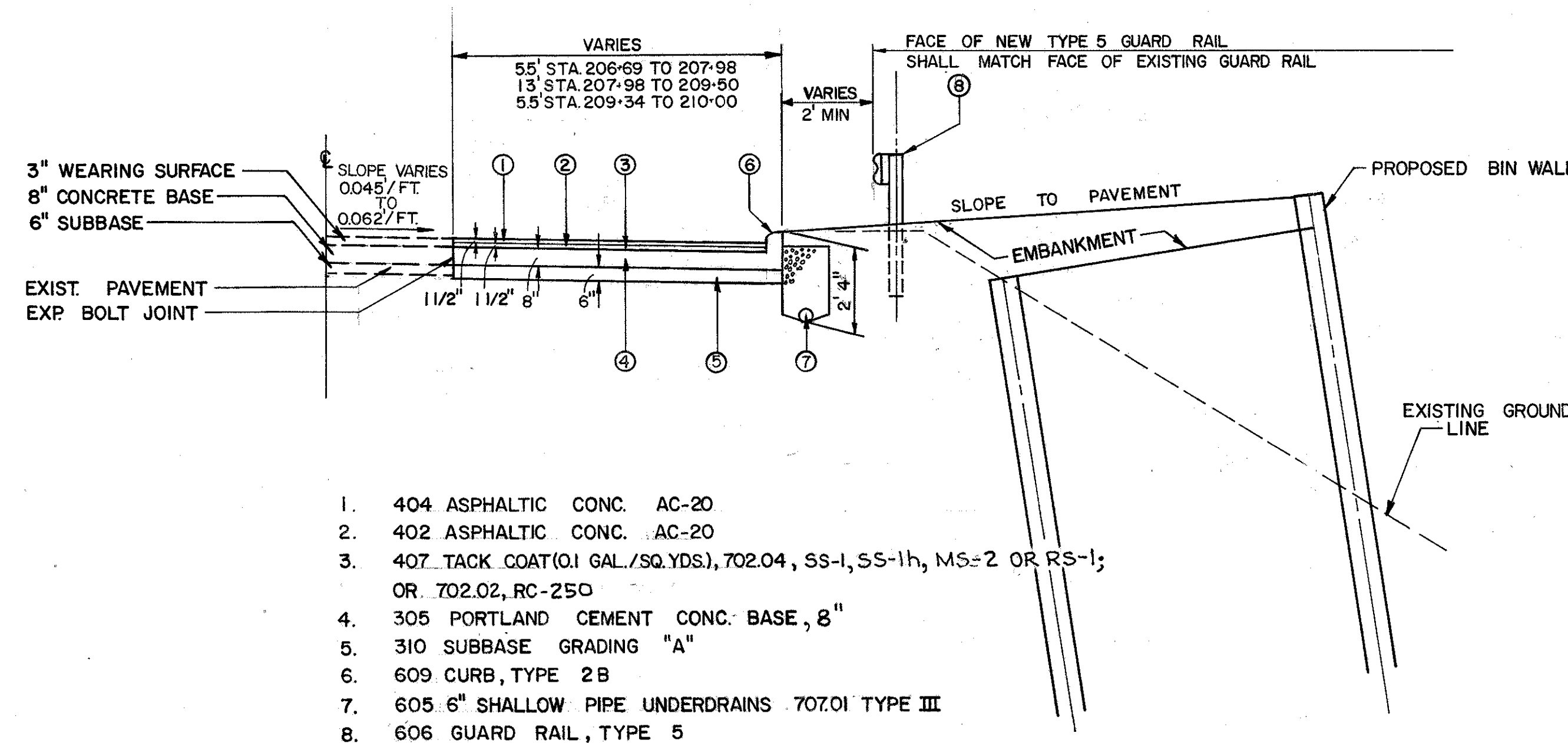
CUT-OUT DETAIL

ENCASEMENT DETAIL



PLAN

ENCASEMENT DETAIL



- 404 ASPHALTIC CONC. AC-20
- 402 ASPHALTIC CONC. AC-20
- 407 TACK COAT (0.1 GAL./SQ. YDS.), 702.04, SS-1, SS-1h, MS-2 OR RS-1; OR 702.02, RC-250
- 305 PORTLAND CEMENT CONC. BASE, 8"
- 310 SUBBASE GRADING "A"
- 609 CURB, TYPE 2B
- 605 6" SHALLOW PIPE UNDERDRAINS .707.01 TYPE III
- 606 GUARD RAIL, TYPE 5

**TYPICAL SECTION
PAVEMENT & CURB REPLACEMENT**

SCALE: 1" = 4'