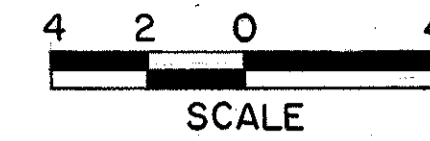


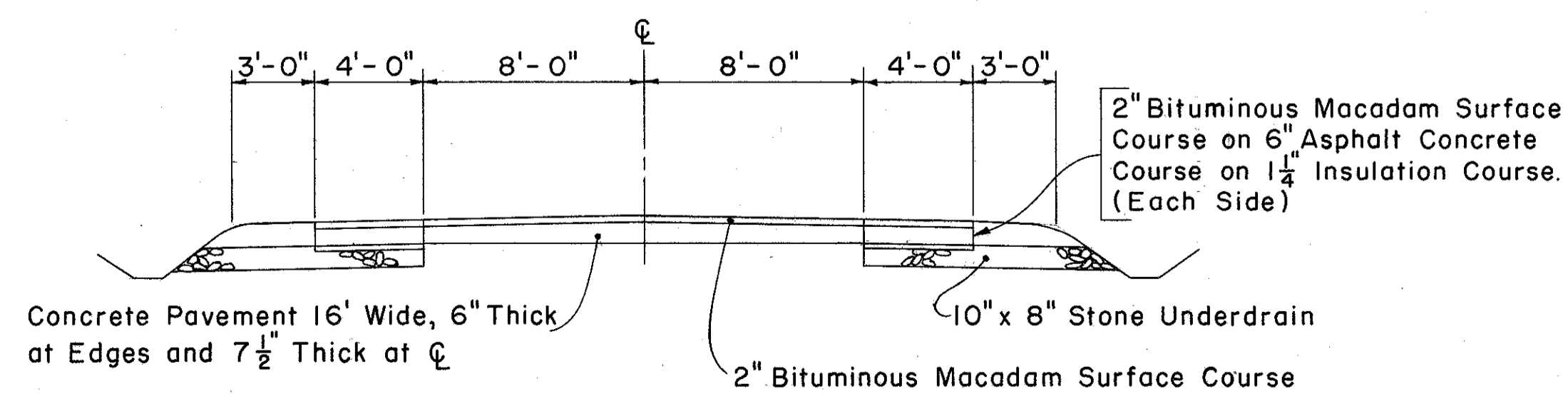
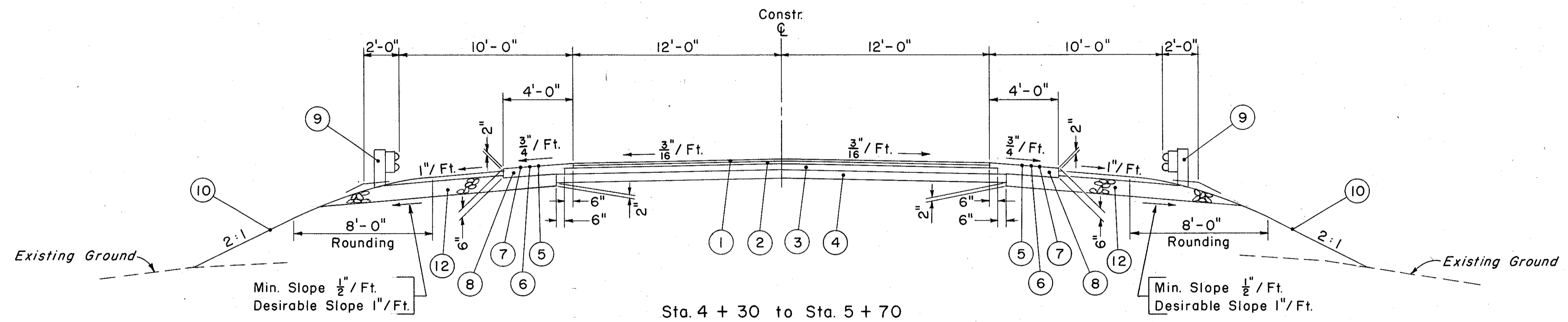
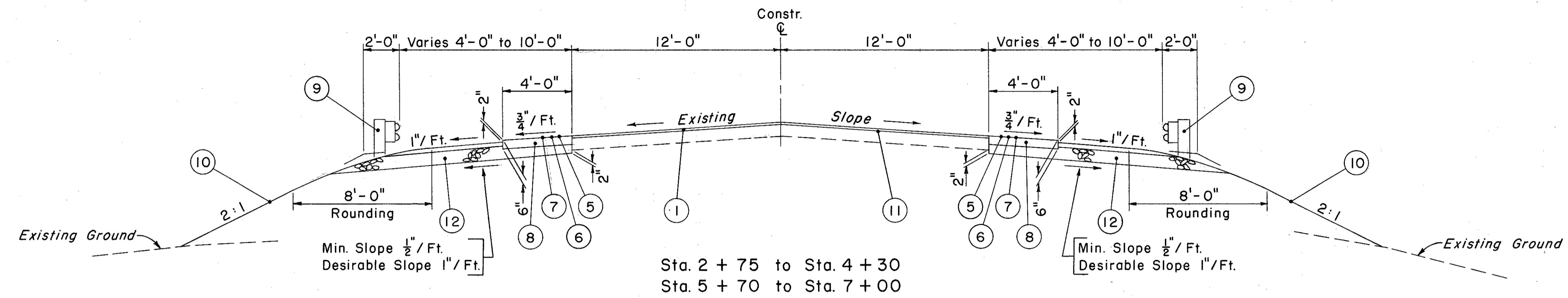
TYPICAL SECTIONS

TYPE 404 ON 304



FED. RD. DIVISION	STATE	PROJECT	3 16
2	OHIO		

LAKE COUNTY
LAK-84-30.85



EXISTING TYPICAL SECTION

LEGEND

- | | |
|---|--|
| ① Item 404 1 $\frac{1}{4}$ " Asphalt Concrete AC-20. | ⑨ Item 606 Guard Rail, Type 5. |
| ② Item 402 1 $\frac{3}{4}$ " Asphalt Concrete AC-20. | ⑩ Item 659 Seeding and Mulching. |
| ③ Item 301 3 $\frac{1}{2}$ " Bituminous Aggregate Base AC-20 or RT-11 or RT-12. | ⑪ Item 407 Tack Coat and Cover Aggregate |
| ④ Item 304 6" Aggregate Base. | ⑫ Item 605 Aggregate Drains. |
| ⑤ Item 409 Seal Coat Cover Aggregate No. 8 at 0.008 Cu. Yd. per Sq. Yd. | |
| ⑥ Item 409 Seal Coat Bituminous Material at 0.30 Gal. per Sq. Yd. | |
| ⑦ Item 408 Bituminous Prime Coat at 0.40 Gal. per Sq. Yd. | |
| ⑧ Item 304 6" Aggregate Base. | |