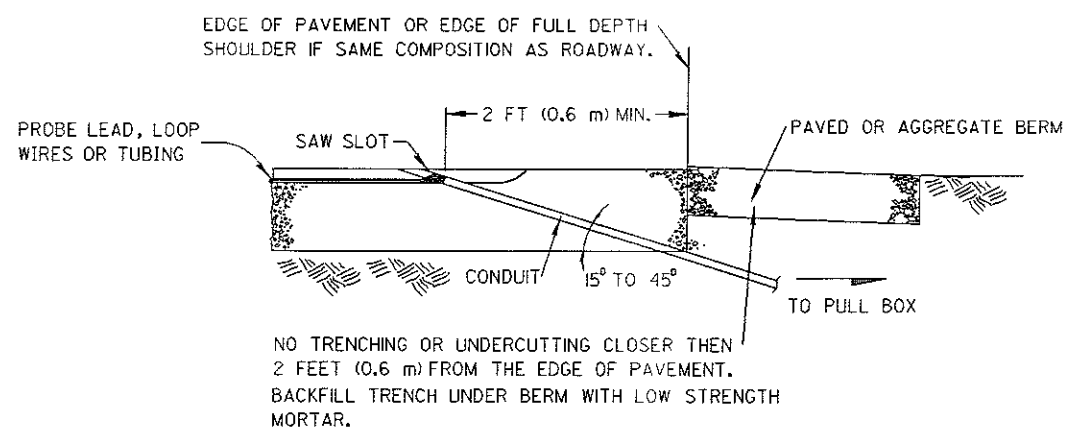
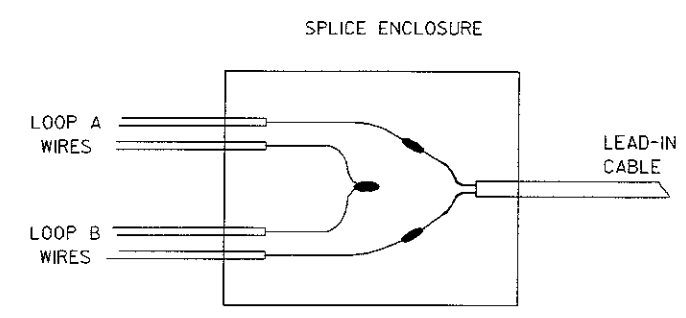


**CONDUIT DRILLED HOLE DETAIL**



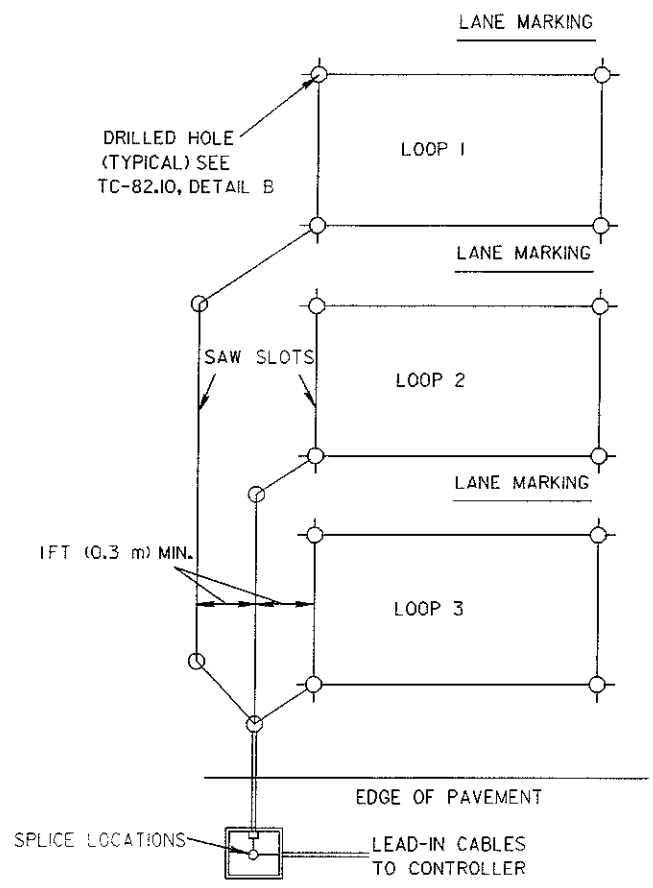
1. THE DRILLED HOLE SHALL BE LOCATED AS SHOWN ABOVE AND WITHIN THE FULL DEPTH PAVEMENT. IT SHALL NOT BE DRILLED OR CUT THROUGH THE PAVED BERM, CURB OR CURB AND GUTTER SECTION.
2. IN AREAS OF POOR PAVEMENT CONDITION, THE SAW SLOT DEPTH SHALL BE INCREASED TO INSURE ADEQUATE WIRE EMBEDMENT. ALL FIELD ADJUSTMENTS SHALL BE SUBJECT TO THE APPROVAL OF THE ENGINEER.

**TYPICAL DRILLED HOLE LOCATIONS**



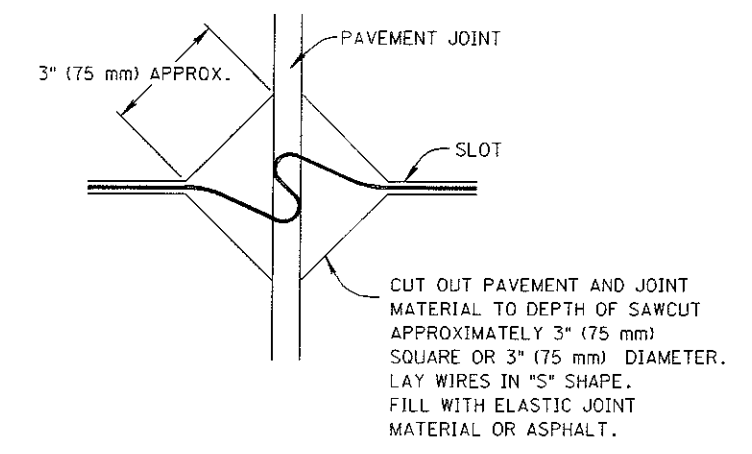
1. WHERE MULTIPLE LOOPS USE A SINGLE LEAD-IN CABLE, SERIES CONNECTIONS SHALL BE USED.
2. A MAXIMUM OF 2 LOOPS (3 WIRE SPLICES) SHALL BE USED IN ANY ENCAPSULATED SPLICE KIT.

**SERIES CONNECTIONS**



1. ONLY ONE SET OF LOOP WIRES SHALL BE RUN IN A SAW SLOT OVER TO THE CONDUIT HOLE LOCATION.
2. ALL ADJACENT SAW SLOTS SHALL HAVE A MINIMUM DISTANCE OF 1 FOOT (0.3 m) BETWEEN THEM. NO SAW SLOT SHALL BE LOCATED WITHIN 1 FOOT (0.3 m) OF A LONGITUDINAL OR TRANSVERSE JOINT IN P.C.C. PAVEMENTS IF THE SLOT IS PARALLEL TO THE JOINT.

**MULTIPLE LOOP LAYOUT**



**JOINT CROSSING DETAIL IN P.C.C. PAVEMENTS**