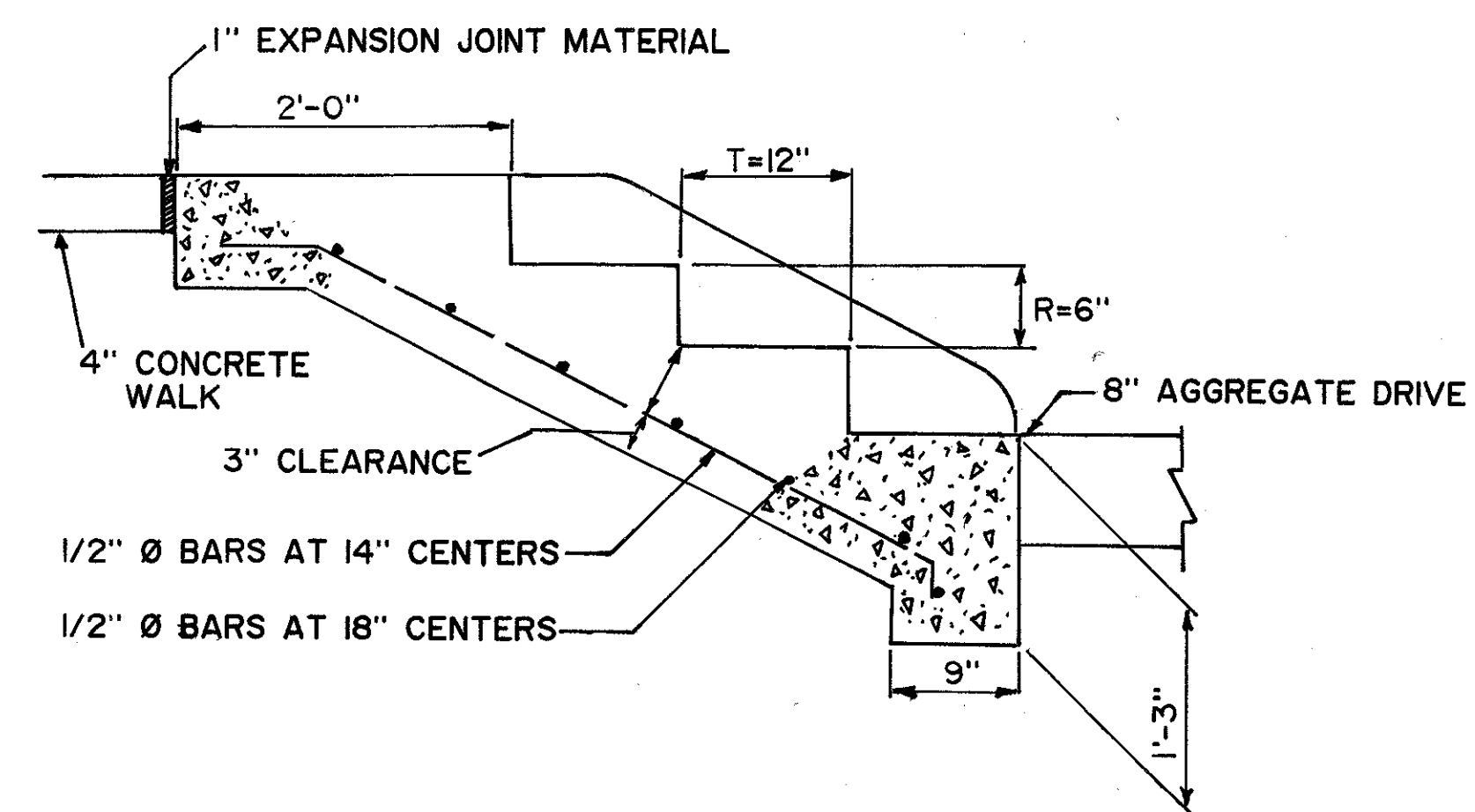
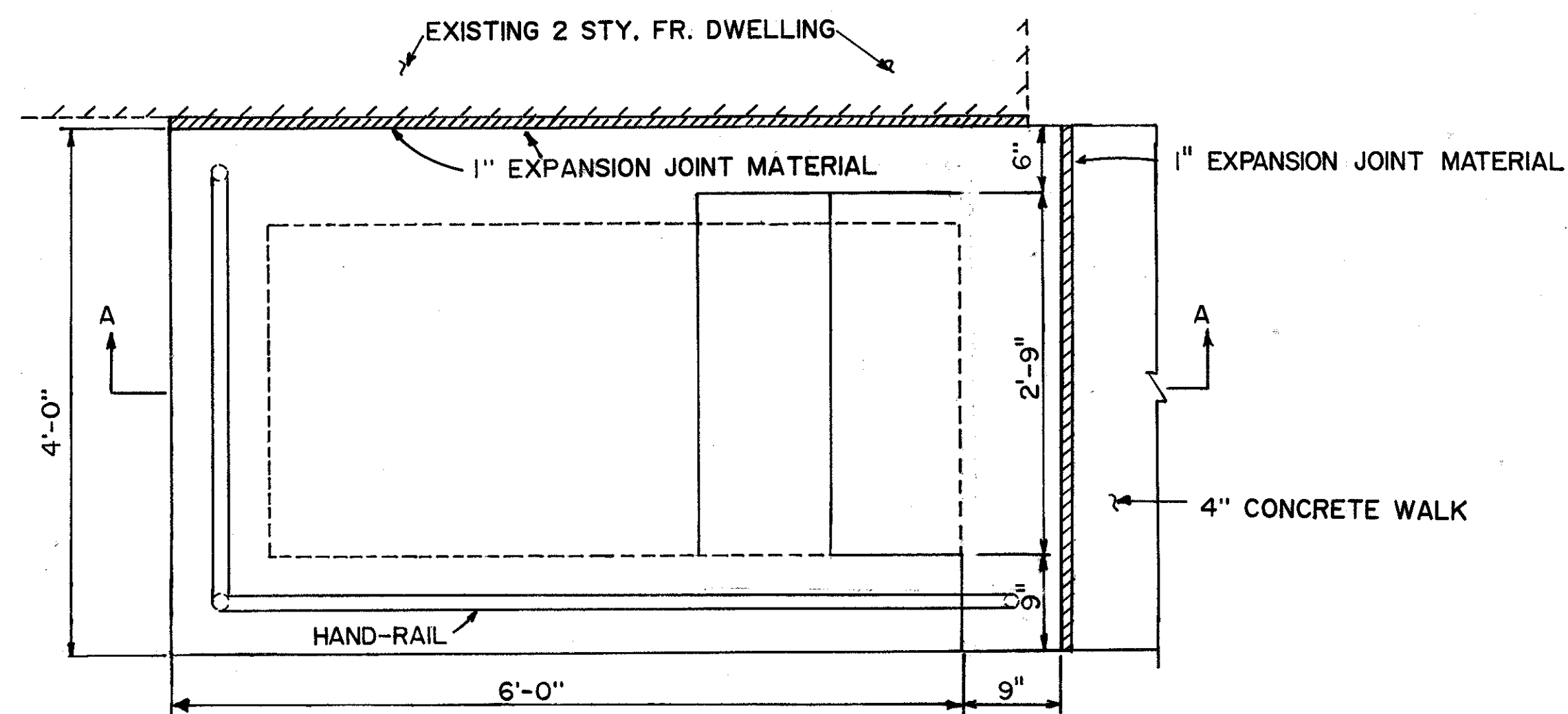


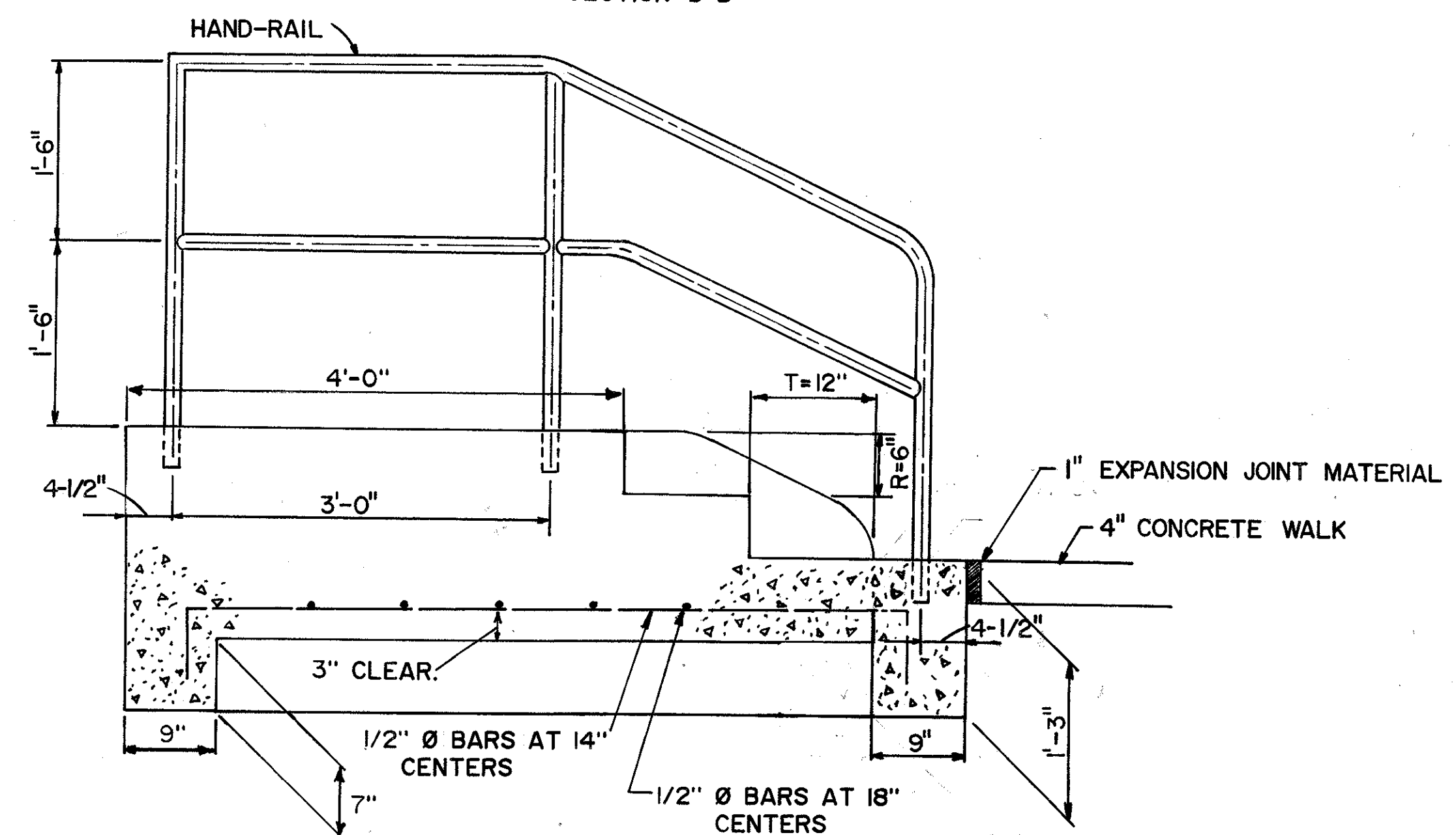
CONCRETE STEPS, STANDARD TYPE B
PLAN VIEW



CONCRETE STEPS, STANDARD TYPE B
SECTION 'B-B'



CONCRETE STEPS, STANDARD TYPE A, MODIFIED
AS PER PLAN
PLAN VIEW



CONCRETE STEPS, STANDARD TYPE A, MODIFIED
AS PER PLAN
PLAN VIEW