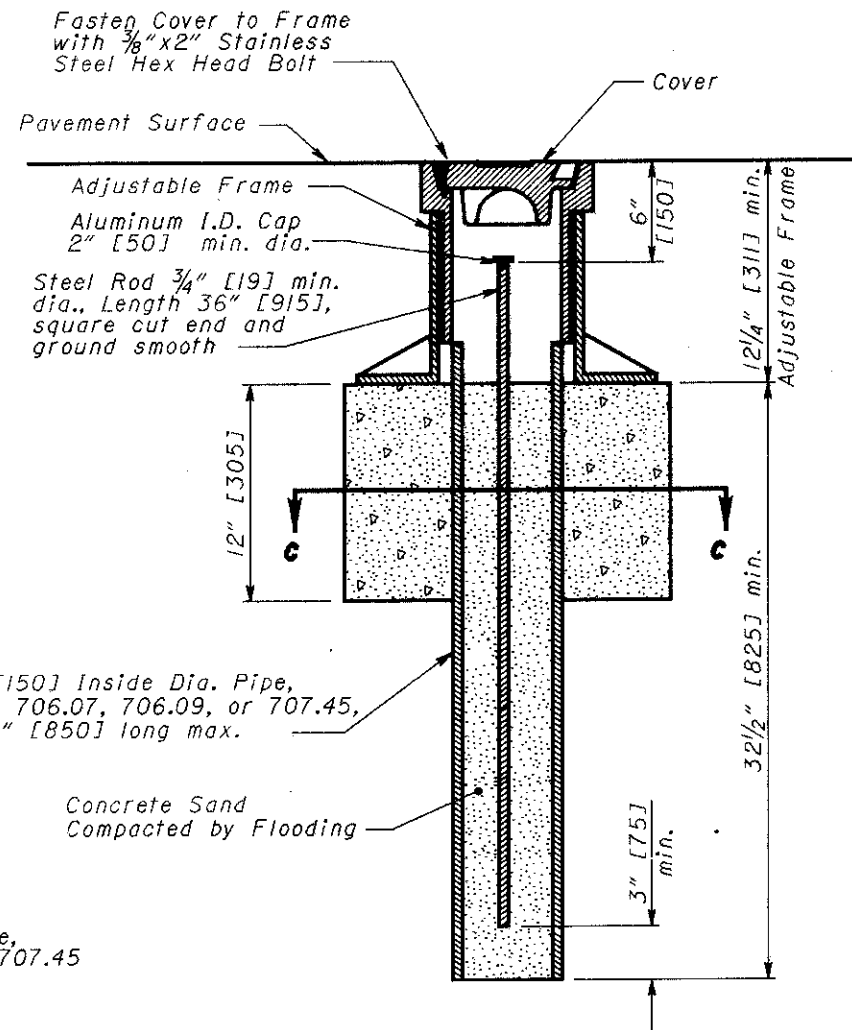
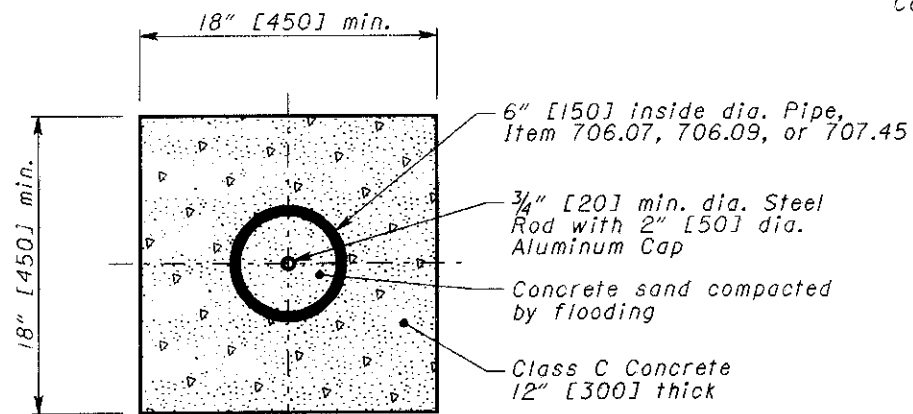


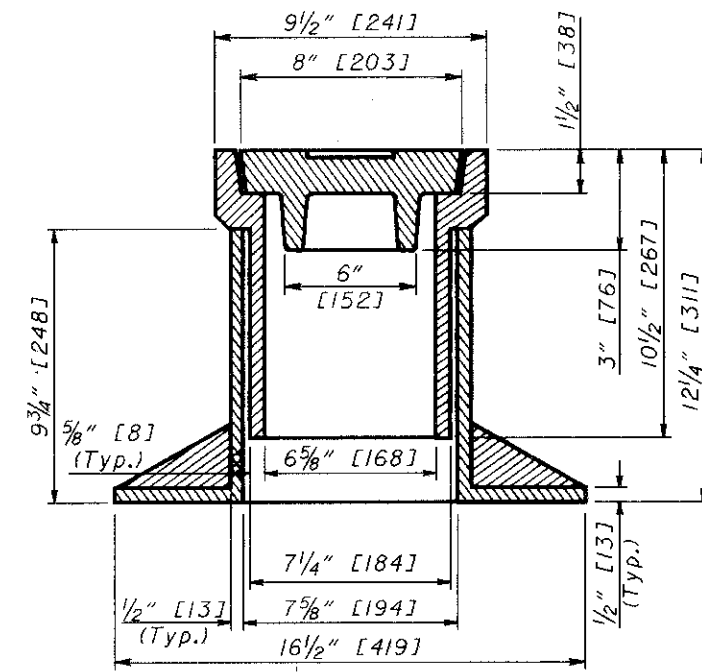
TOP VIEW



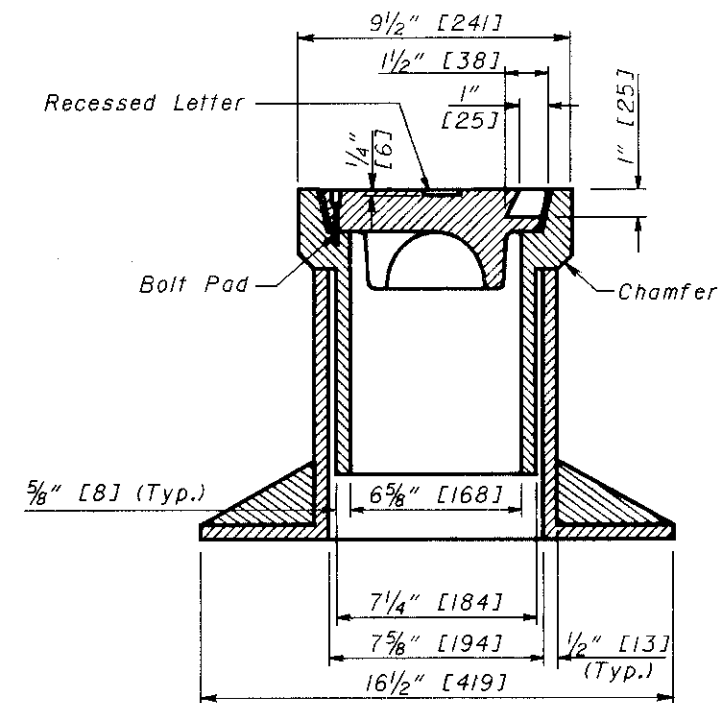
SIDE VIEW



SECTION C-C



SECTION A-A



SECTION B-B

ADJUSTABLE CENTERLINE MONUMENT DETAILS

THIS DRAWING REPLACES RM-1.1M DATED 4-8-97.

NUMBER
RM-1.1

STANDARD ROADWAY CONSTRUCTION DRAWING
ROADWAY MONUMENTS

DESIGN AGENCY
OFFICE OF PLANNING

All metric dimensions (in brackets []) are in millimeters unless otherwise noted.

STATUS: EMM
M. EVANS
DRAWN

REVISED

OHIO DEPARTMENT OF TRANSPORTATION
Raymond J. Sattler
ROADWAY DESIGN ENGINEER

DATE
4-29-99