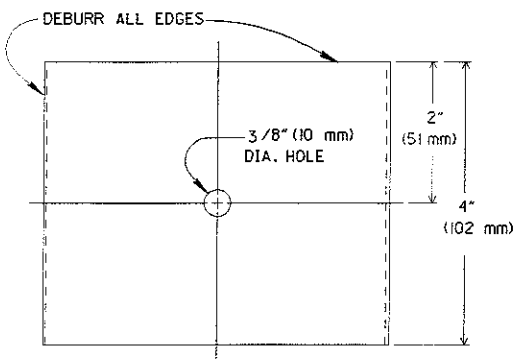
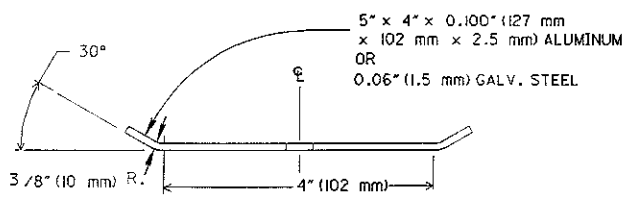
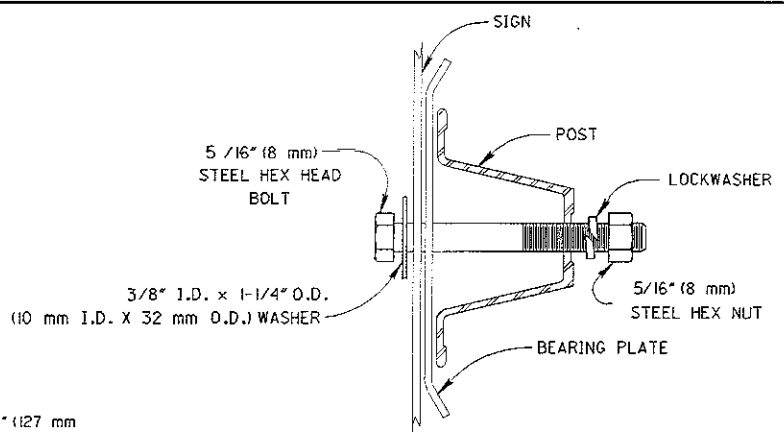


POST NO.	TYPE	LB/FT	POST DIMENSIONS (INCHES)			ANCHOR DIMENSIONS			NUMBER OF POSTS PERMITTED IN SEVEN FOOT PATH IN EXPOSED LOCATIONS
			A	B	C	A	B	C	
1	F	1.12	0.875	2.063	0.813				
	P	2.00	1.469	3.063	1.281				2
2	F	2.00	1.516	3.125	1.250				2
	S		1.750	1.750	0.083	2.000	2.000	0.105	2
3	P	3.00	1.875	3.500	1.313				2
	F	3.00	1.750	3.500	1.625				2
4	S		2.00	2.00	0.083	2.250	2.250	0.105	2
	P	4.00	TWO NO.2 POST						0
6	F	6.00	TWO NO.2 POST						0
	S		2.500	2.500	0.105	3.000	3.000	0.188	1

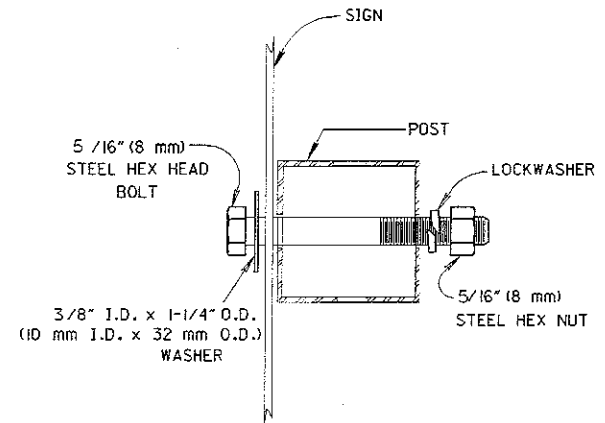
POST NO.	TYPE	Kg/m	POST DIMENSIONS (mm)			ANCHOR DIMENSIONS			NUMBER OF POSTS PERMITTED IN 2.1m PATH IN EXPOSED LOCATIONS
			A	B	C	A	B	C	
1	F	1.7	22	52	21				
	P	3.0	37	78	33				2
2	F	3.0	39	79	32				2
	S		44	44	2.1	51	51	2.7	2
3	P	4.5	48	89	33				2
	F	4.5	44	89	41				2
4	S		51	51	2.1	57	57	2.7	2
	P	6.0	TWO NO.2 POST						0
6	F	9.0	TWO NO.2 POST						0
	S		63	63	2.7	76	76	4.8	1



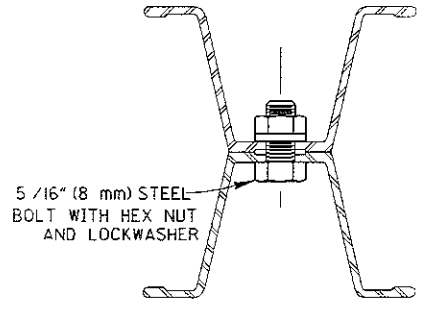
BEARING PLATE



U - CHANNEL SIGN ATTACHMENT DETAIL



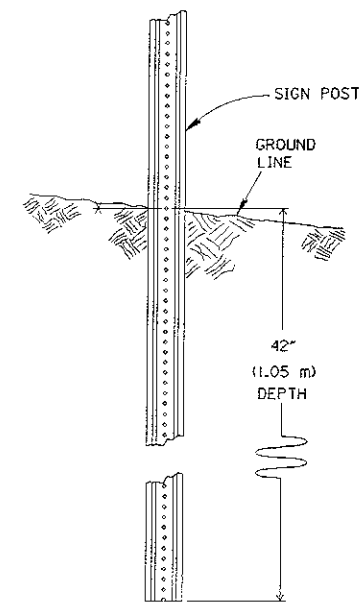
SQUARE POST SIGN ATTACHMENT DETAIL



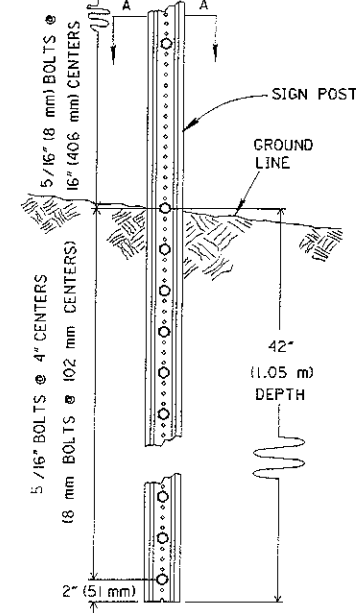
SECTION A - A

NOTES

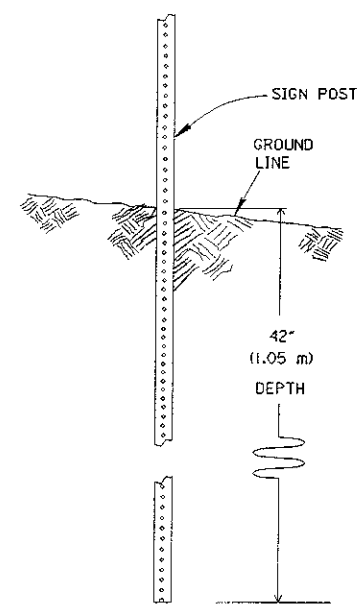
1. Install number 4 type P and F posts, and number 6 type P and F posts, only in protected locations (e.g. behind guardrail). Install two post installations of number 4 type S posts within 7 foot (2.1m) path only in protected locations.
2. Use of anchor base with No. 2 and No. 3 square post is optional. Use of anchor base with No. 4 square post is required.
3. Square post may have die-cut knockouts or open holes.



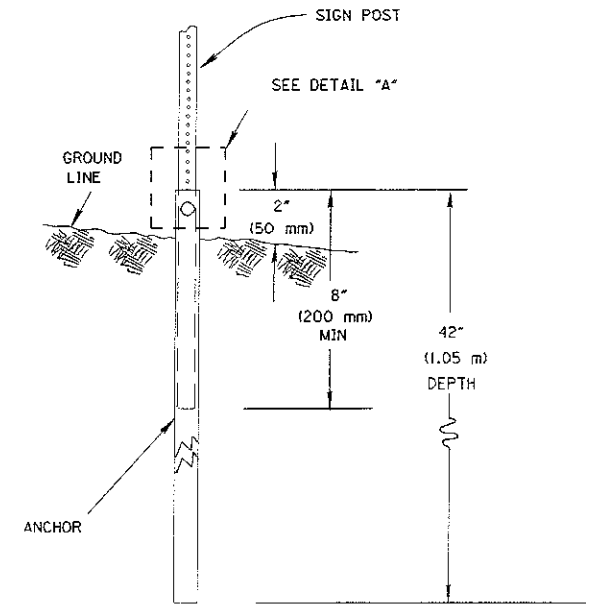
TYPICAL NO. 1, NO. 2 AND NO. 3 U - CHANNEL DRIVEN INSTALLATION



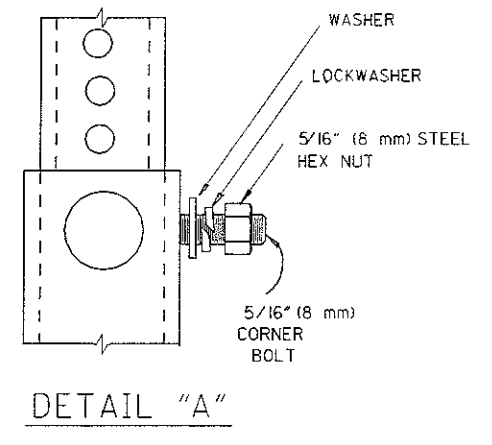
TYPICAL NO. 4 AND NO. 6 U - CHANNEL DRIVEN INSTALLATION



TYPICAL SQUARE POST DRIVEN INSTALLATION



TYPICAL SQUARE POST ANCHOR BASE INSTALLATION



DETAIL "A"