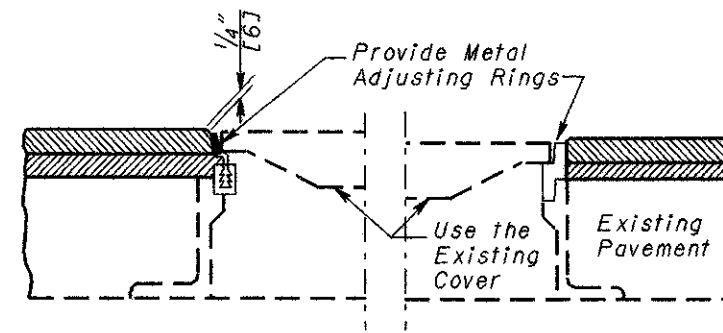


USING CONCRETE OR MORTAR



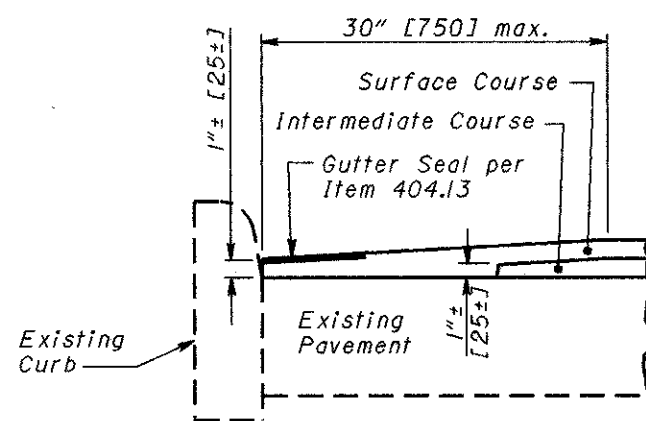
USING METAL ADJUSTING RINGS

Metal adjusting rings shall:

- (a) attach securely to the existing frame by welding or mechanical devices;
- (b) consist either of cast metal having an integral rim and seat, or be fabricated metal with a sturdy connection between the seat and rim; and
- (c) provide an even seat for the manhole cover.

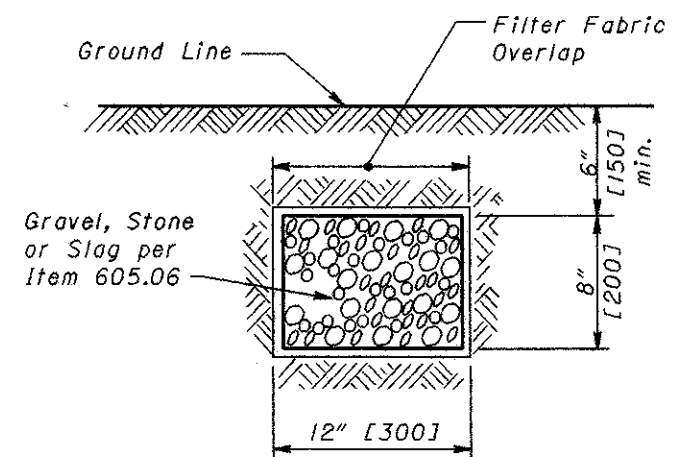
In addition, the adjusting ring type shall be a design acceptable to the local governmental agency responsible for street and sewer maintenance. Any installation unacceptable to the Engineer shall be replaced by the Contractor at his expense.

MANHOLES ADJUSTED TO GRADE



Special care shall be taken during construction to obtain maximum compaction of bituminous concrete in gutters.

GUTTER FINISH



Aggregate drains to be placed where and as directed by Engineer. Provide Filter Fabric when specified as a separate pay item.

AGGREGATE DRAIN

THIS DRAWING REPLACES BP-3.1M DATED 10-28-94.

NUMBER BP-3.1	STANDARD ROADWAY CONSTRUCTION DRAWING RESURFACING	ROADWAY ENGINEERING SERVICES	All metric dimensions (in brackets []) are in millimeters unless otherwise noted.	STDS. ENGR. M. EVANS	REVISED	DATE
				DRAWN D. Focke	BY	DATE