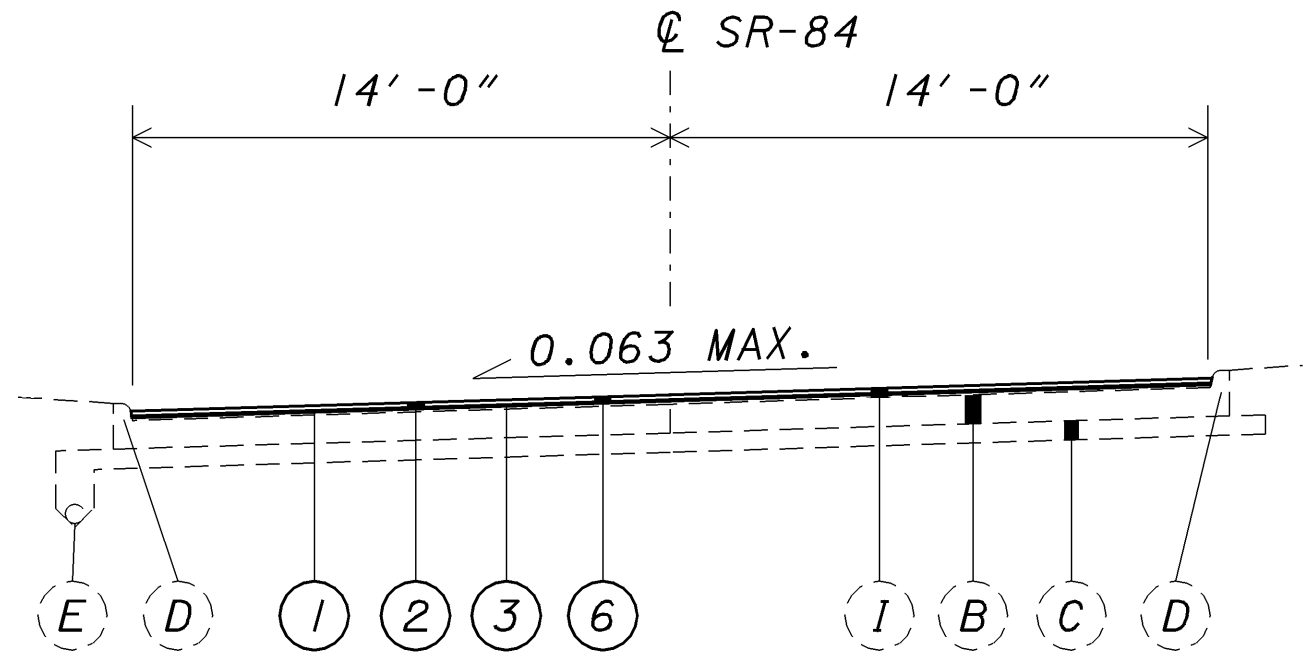
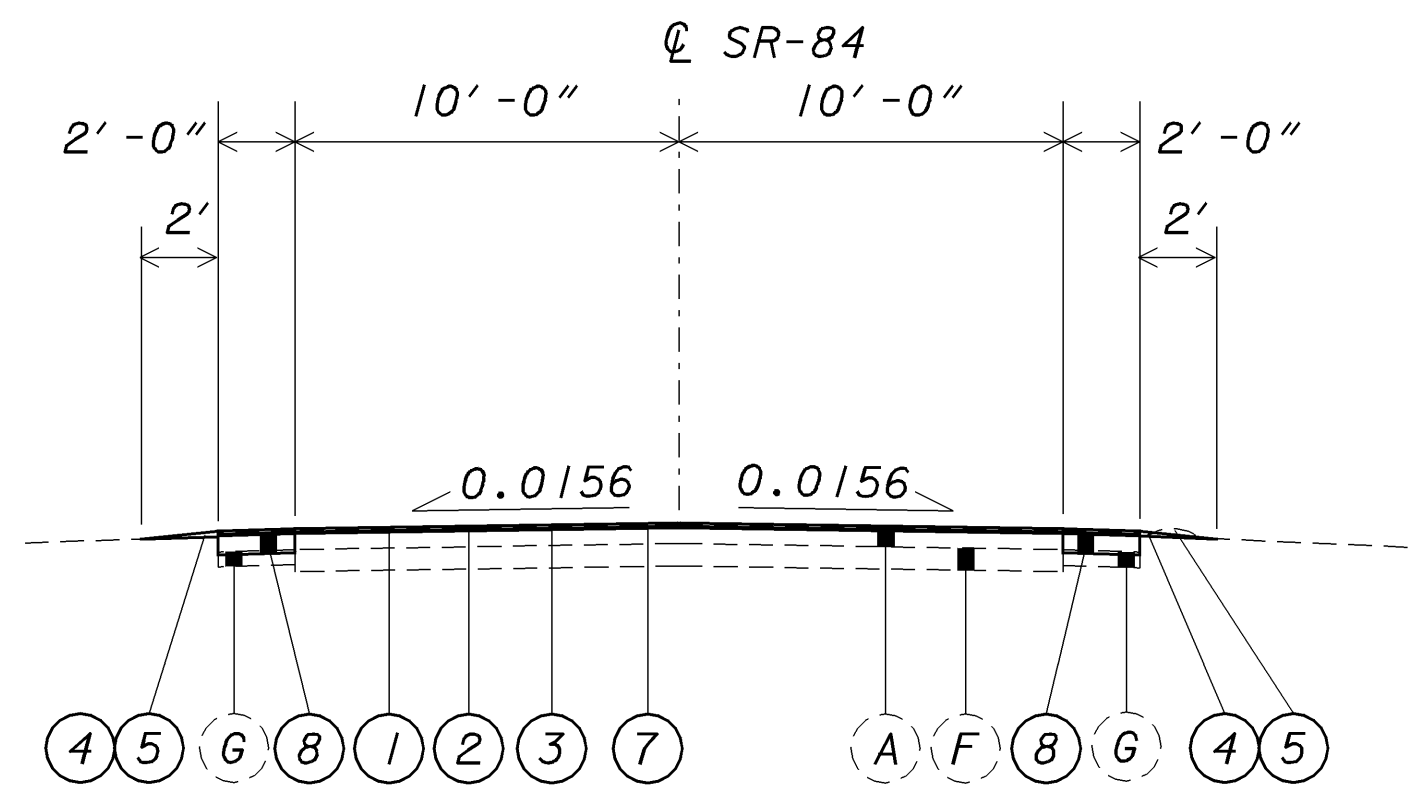


TYPICAL NO. 3
SLM 19.26 TO SLM 19.51



TYPICAL NO. 4
SLM 19.51 TO SLM 19.75



TYPICAL NO. 5
SLM 19.75 TO SLM 21.54

SEE SHEET 2 FOR LEGEND

PLOTTED FROM: I:\PROJECTS\21505\21505.dwg