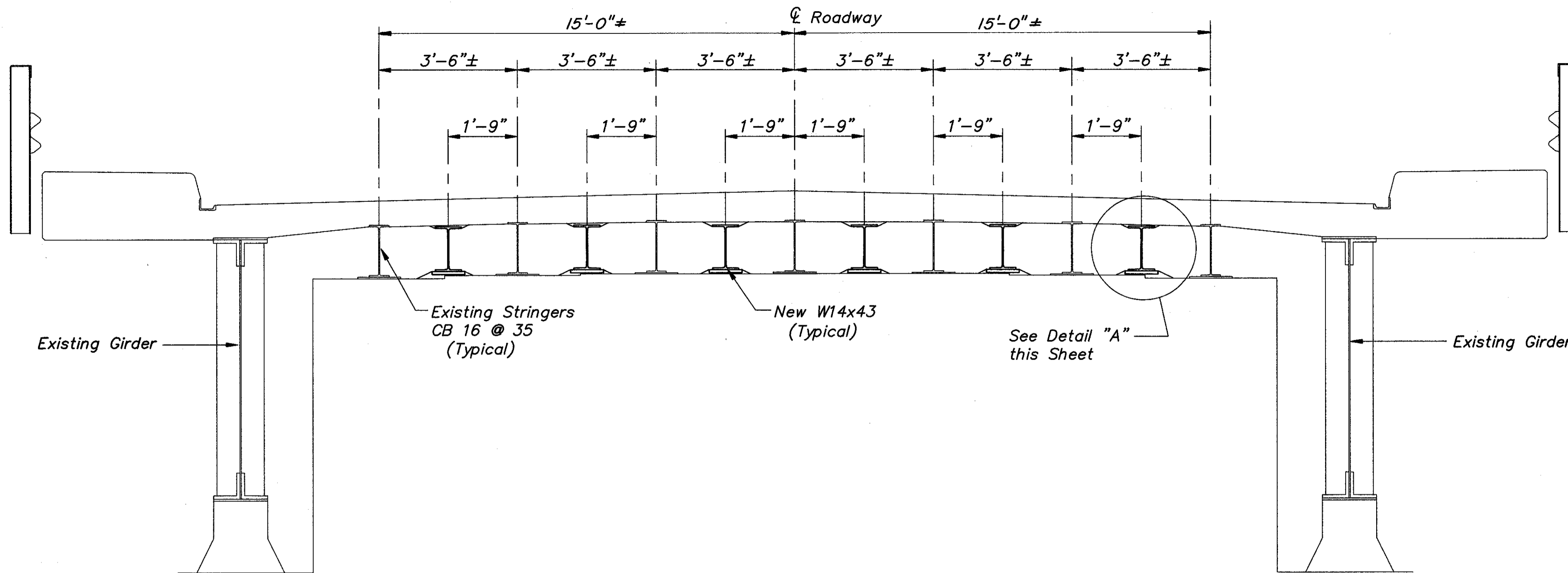
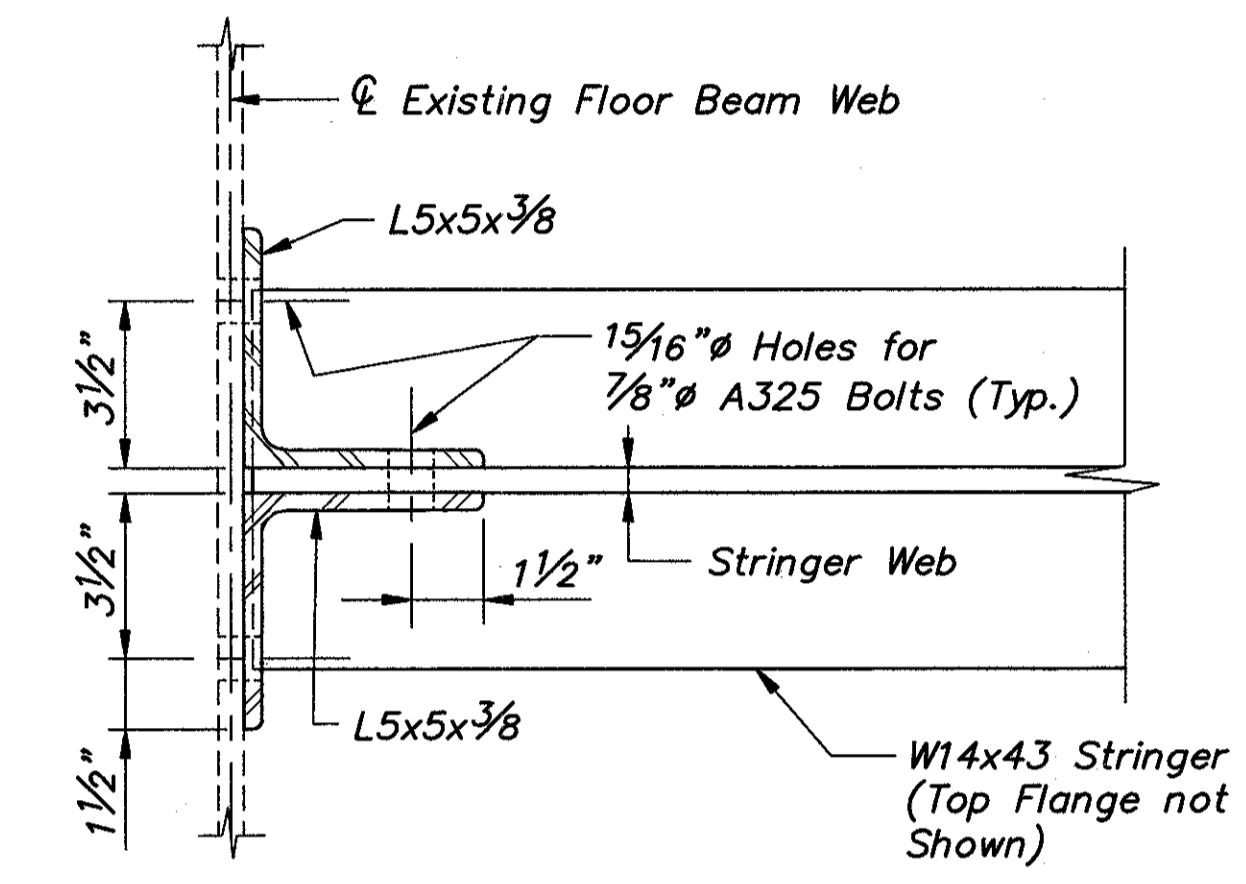
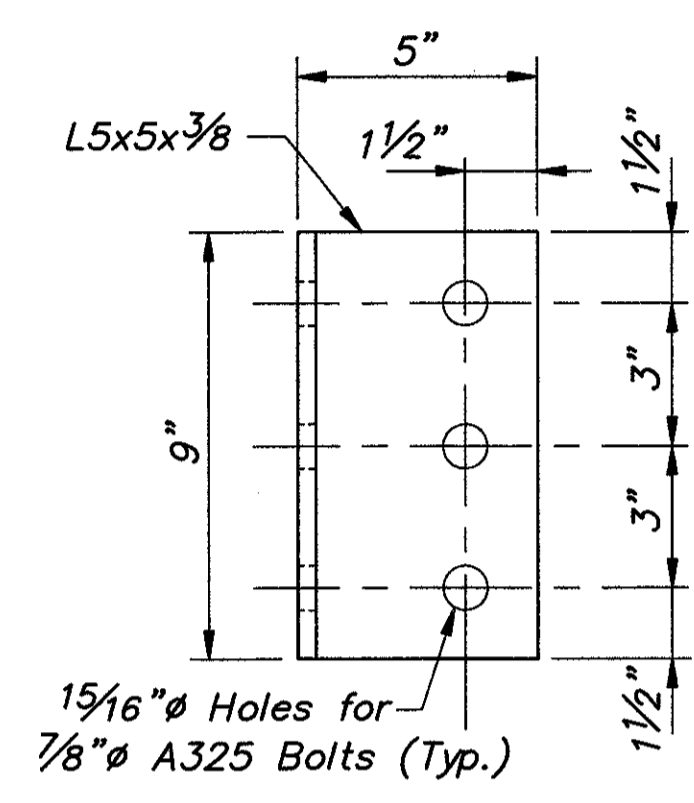


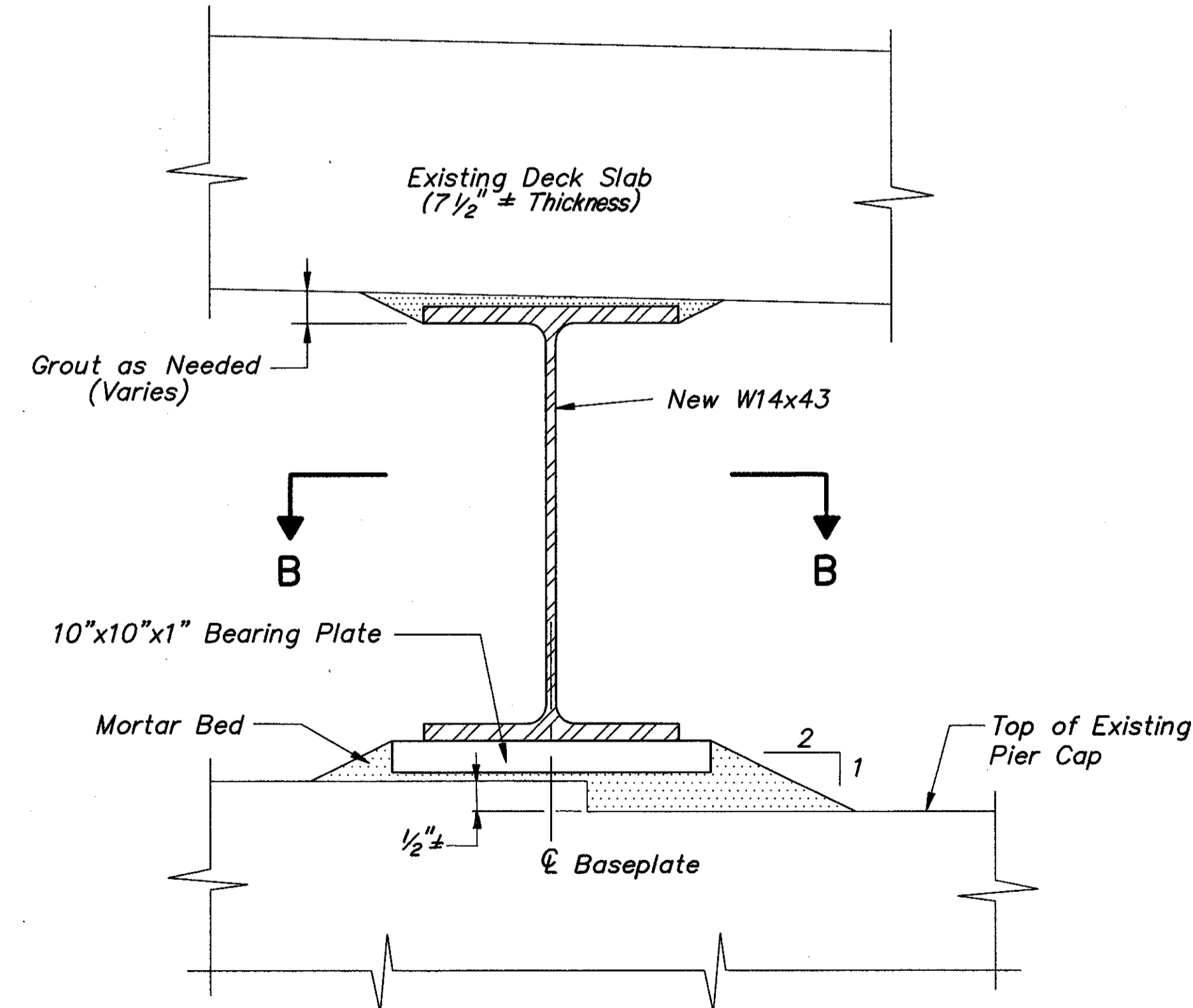
BR-43-88



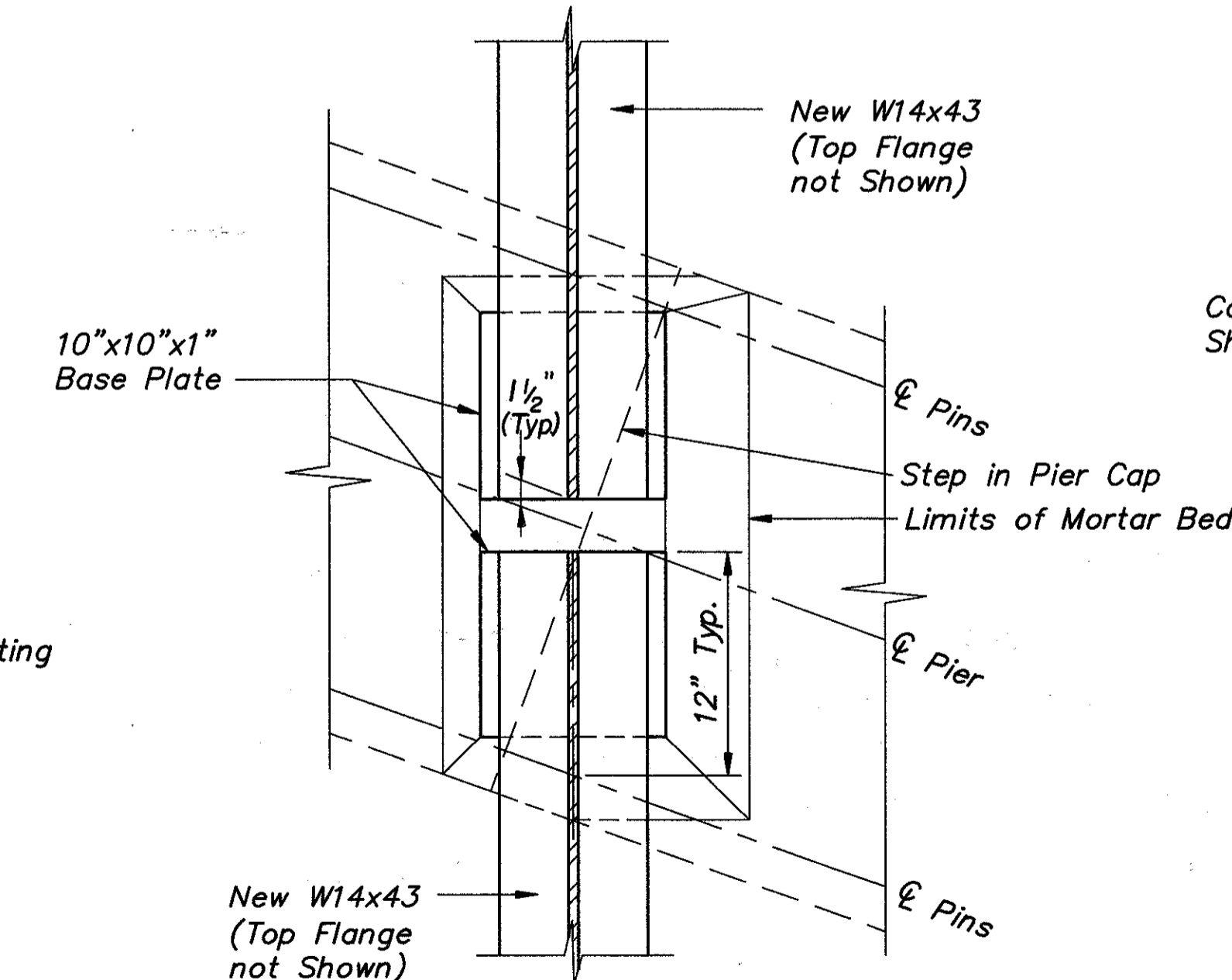
SECTION A-A  
TYPICAL SECTION AT PIERS



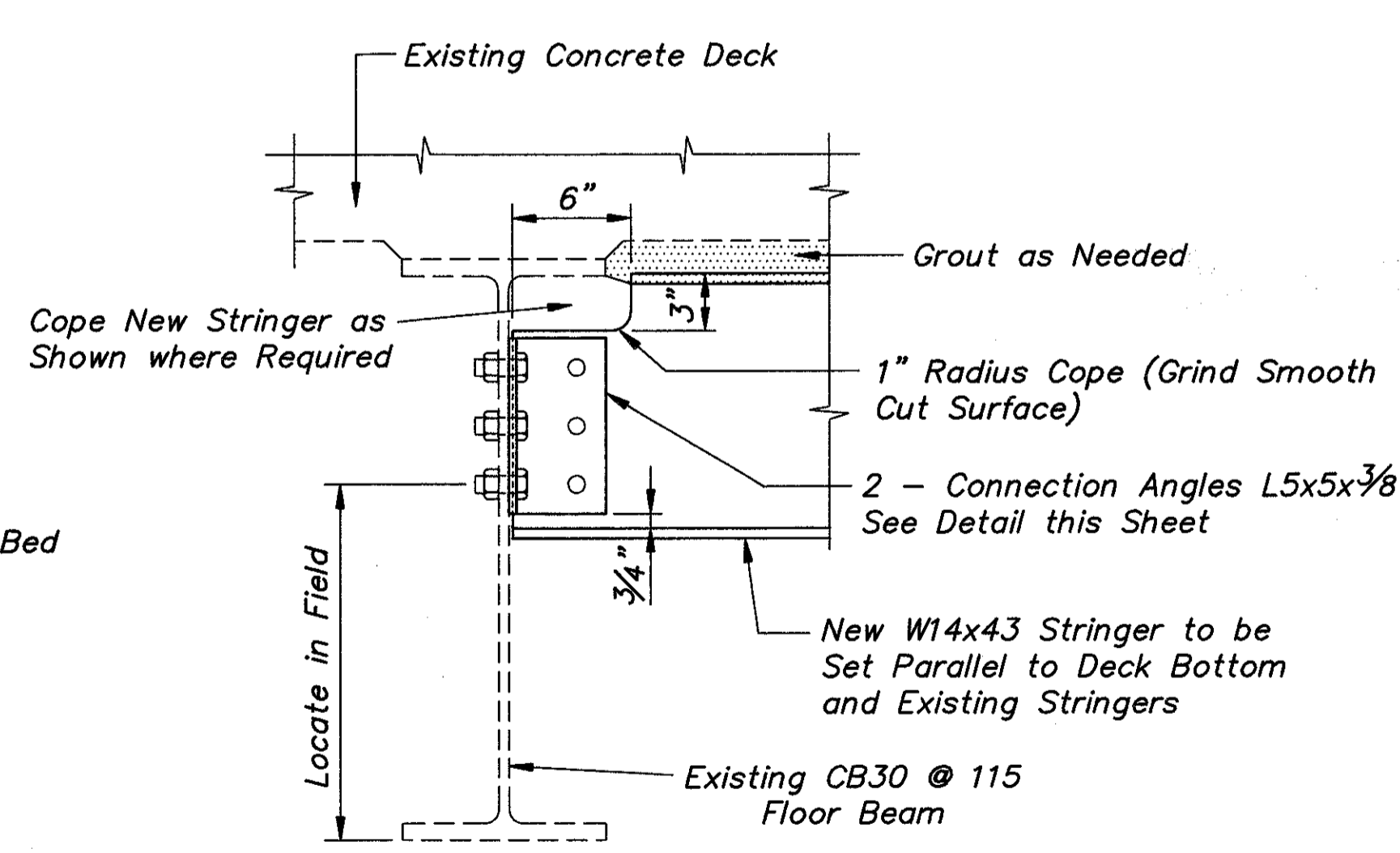
CONNECTION ANGLE DETAILS  
AT PIERS



DETAIL "A"



SECTION B-B



CONNECTION DETAIL TO EXISTING  
FLOOR BEAMS AT PIERS

STRINGER REPAIR SEQUENCE AT PIERS

1. Locate Position of Proposed Stringer on Pier Cap and Deck Bottom. Locate Baseplate Mortar Bed.
2. Install Baseplate into Mortar Bed.
3. Position Stringer with Attached Connection Angles onto the Bearing Plate.
4. Locate and Drill Connection Angle Holes into Floor Beam.
5. Tighten all Bolted Connections.
6. Place Stringer Haunch Forms.
7. Maintain Two-Way Traffic on One Lane of the Structure.
8. Grout Stringer Haunches under the Closed Portion of Deck.

NOTE: ALL WORK SHOWN ON THIS SHEET SHALL BE PAID UNDER ITEM SPECIAL- STRINGER REPAIR

<b>CT Consultants, Inc.</b> Engineers • Architects • Planners Willoughby • Mentor • North Canton • Steubenville • Lorain					
4 / 5					
<b>STRINGER REPAIR DETAILS AT PIERS</b> <b>BRIDGE NO. LAK-84-1888</b> <b>OVER GRAND RIVER</b> LAKE COUNTY					
DESIGNED	DRAWN	TRACED	CHECKED	REVIEWED DATE	REVISED
JEA	R.L.B.	R.L.B.	J.P.R.	RJC 10/4/88	