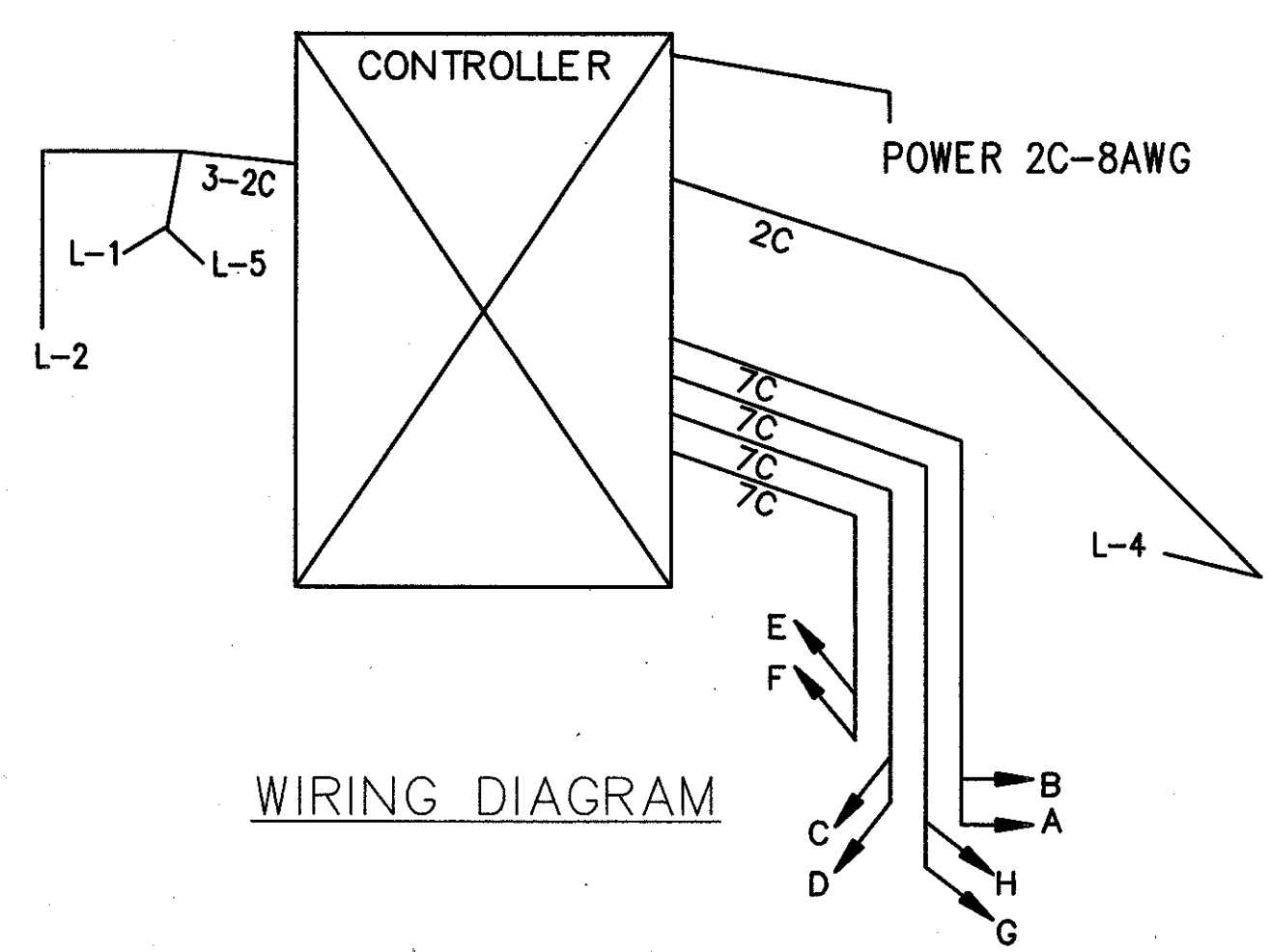
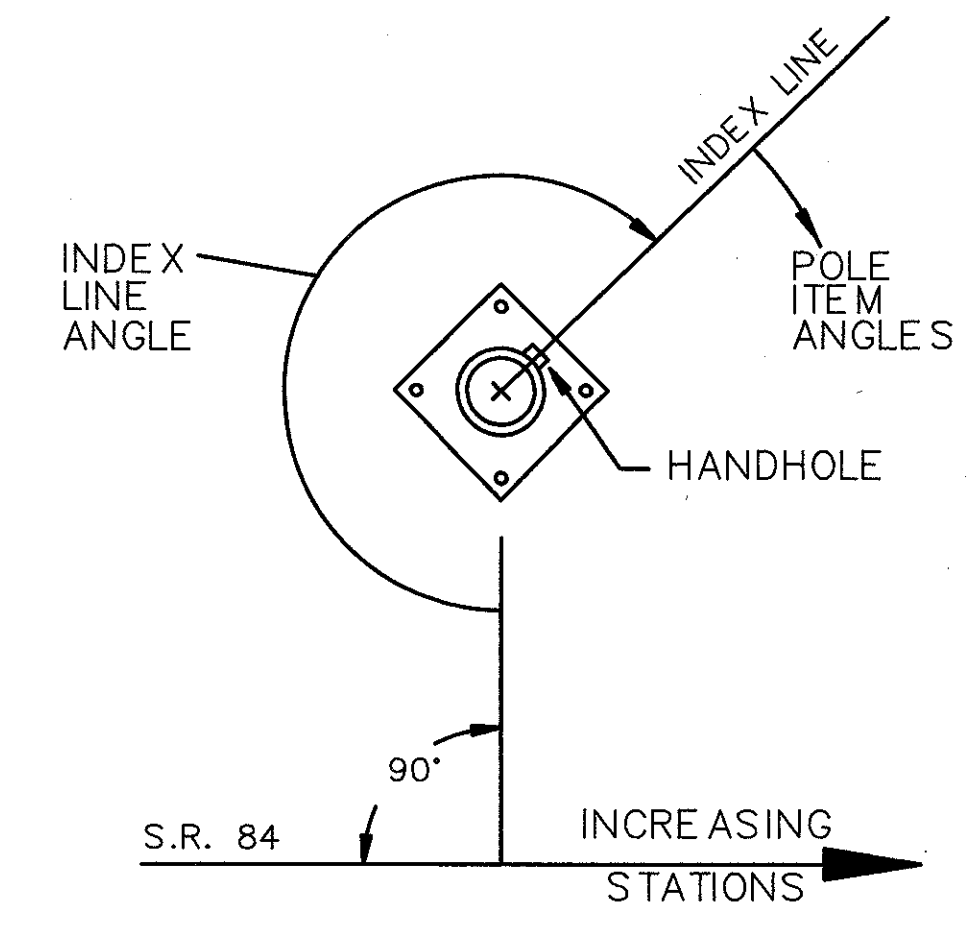


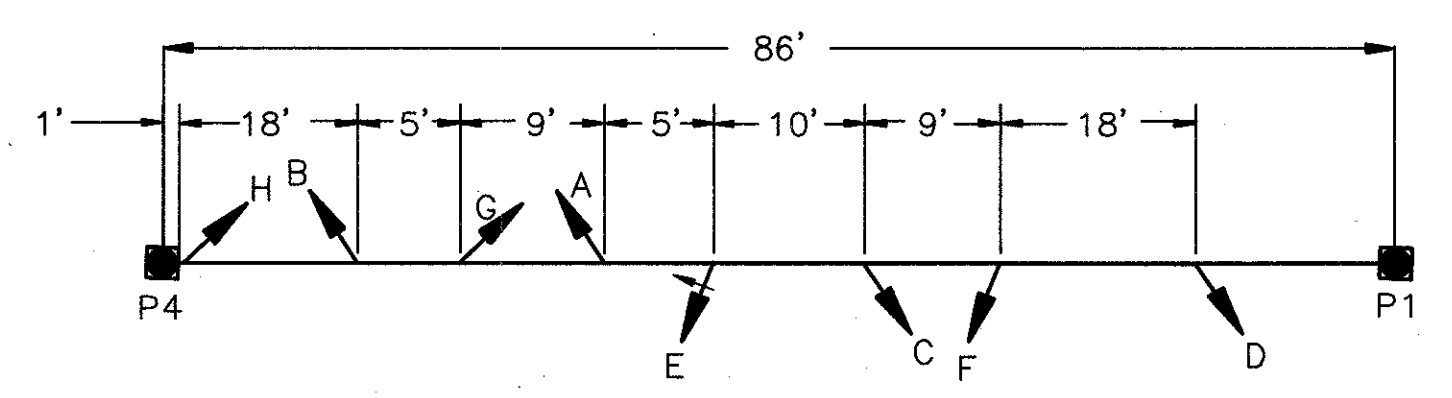
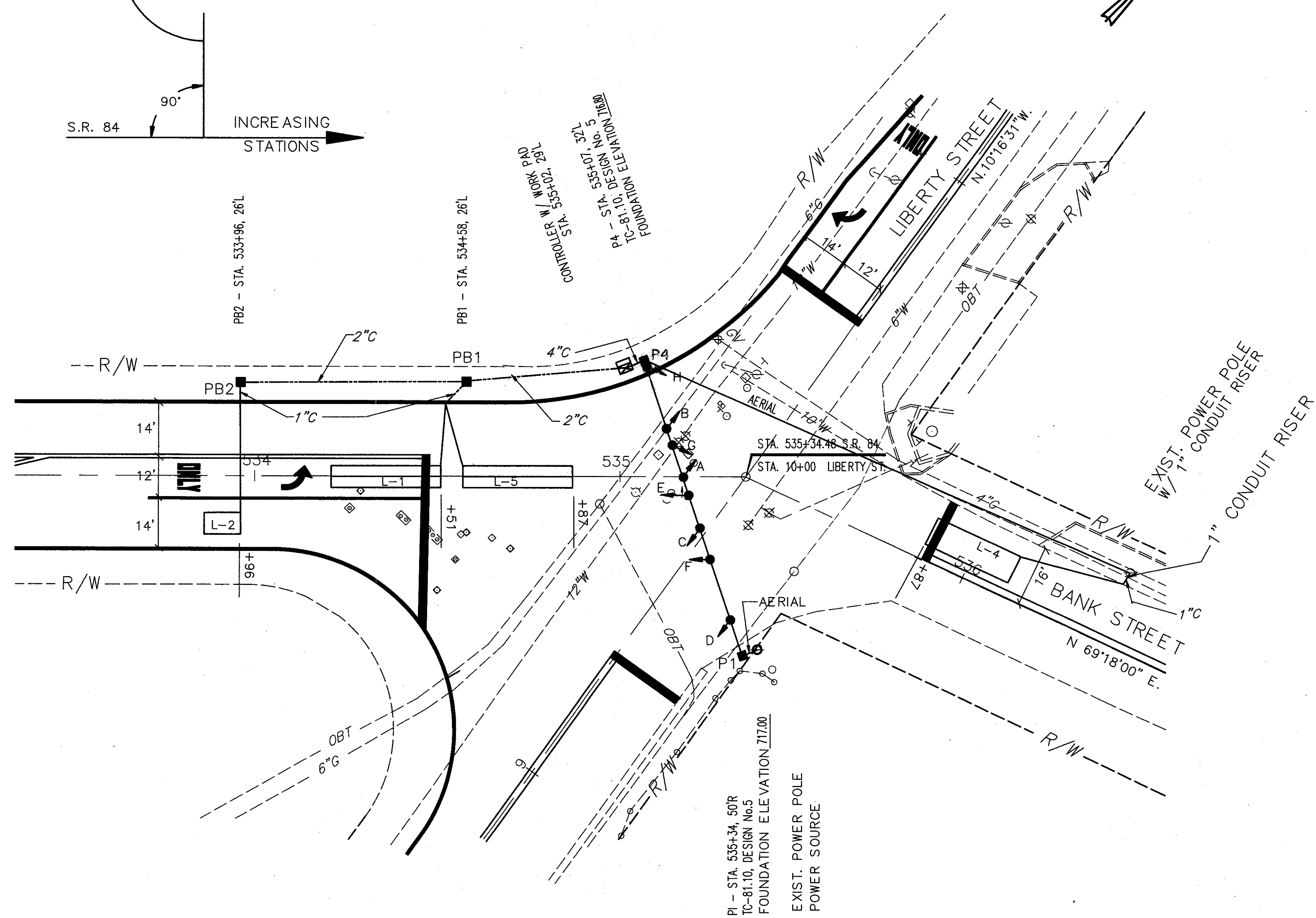
FOR PAVEMENT MARKING AND SIGNING DETAILS SEE SHEET 45.

POLE NO.	DESIGN NO.	POLE HEIGHT (FT.)	ANGLES FROM INDEX LINE (DEGREES)				
			INDEX LINE ANGLE (DEGREES)	PEDESTRIAN SIGNALS	PEDESTRIAN PUSHBUTTONS	CABLE ENTRANCE (12" FROM TOP)	2" CAPPED CONDUIT ELL (FUTURE USE)
P1	5	30	160°	-	-	180°	180°
P4	5	30	160°	-	-	180°	-

POLE ORIENTATION CHART



WIRING DIAGRAM



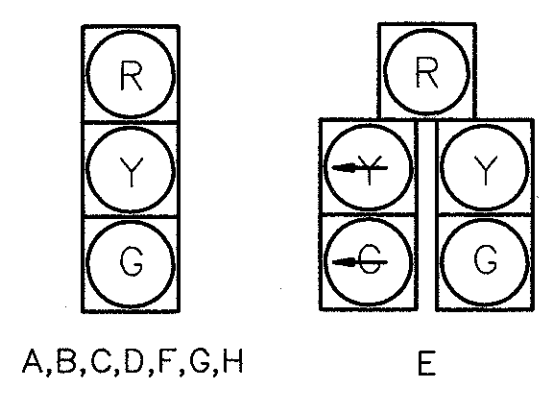
SPAN DIAGRAM

LOOP	SIZE	TURNS	MODE	DELAY	EXTEND	REMARK
L-1	6X30	2-4-2	PRESENCE		3.0	QUADRAPOLE
L-2	6X10	3	PRESENCE			
L-4	8X25	2	PRESENCE	10.0		
L-5	6X30	2-4-2	PRESENCE		3.0	QUADRAPOLE

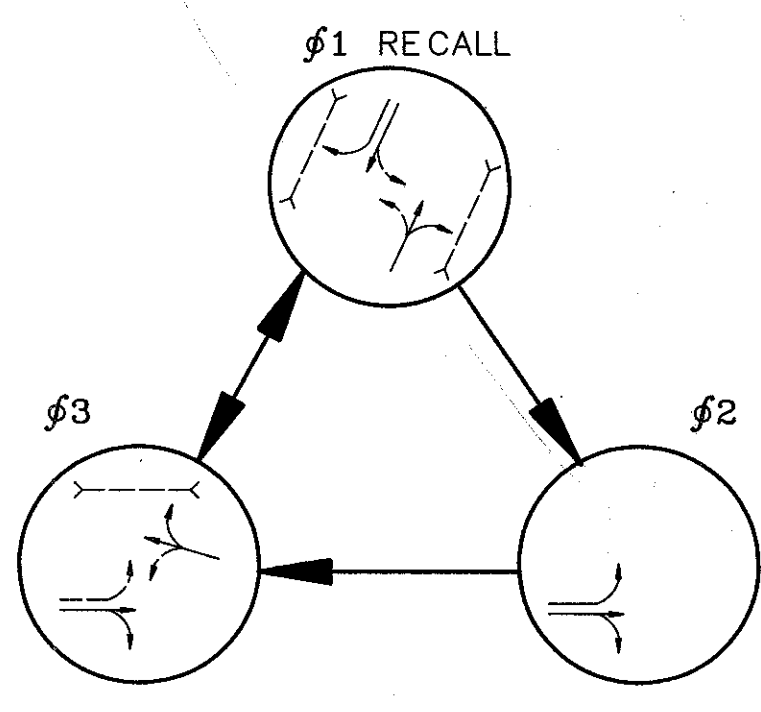
LOOP DETECTOR CHART

SIGNAL HEAD	φ1		φ2		φ3		FLASH	DWELL
	R/W	CLEAR	R/W	CLEAR	R/W	CLEAR		
A	G	Y	R	R	R	R	Y	G
B	G	Y	R	R	R	R	Y	G
C	G	Y	R	R	R	R	Y	G
D	G	Y	R	R	R	R	Y	G
E	R	R	R	G	G	G	Y	R
F	R	R	R	G	G	G	Y	R
G	R	R	R	R	G	G	Y	R
H	R	R	R	R	R	G	Y	R

SIGNAL SEQUENCE CHART



12" SIGNAL HEADS



PHASING DIAGRAM

FUNCTION	φ1	φ2	φ3
INITIAL GREEN	-	7.0	5.0
MINIMUM GREEN	20.0	-	-
VEHICLE EXTENSION	-	3.0	3.0
MAXIMUM GREEN	-	20.0	20.0
PEDESTRIAN WALK	7.0	-	7.0
PEDESTRIAN CLEARANCE	12.0	-	10.0
VEHICLE YELLOW CLEARANCE	3.0	3.0	3.0
VEHICLE ALL RED CLEARANCE	2.0	-	1.0
RECALL	ON	OFF	OFF
MEMORY	NO	NO	YES

SIGNAL TIMING CHART

SUB SUMMARY		
ITEM	DESCRIPTION	UNIT QTY
625	GROUND ROD	EACH 3
625	TRENCH	LIN FT 129
625	PULL BOX, 713.08, 18"	EACH 2
625	CONDUIT, 1", 713.07, TYPE DB	LIN FT 17
625	CONDUIT, 2", 713.07, TYPE DB	LIN FT 107
625	CONDUIT, CONCRETE ENCASED, 4", 713.07, TYPE EB	LIN FT 5
632	VEHICULAR SIGNAL HEAD, 3-SECTION, 12" LENS, 1 WAY, AS PER PLAN	EACH 7
632	VEHICULAR SIGNAL HEAD, 5-SECTION, 12" LENS, 1 WAY, AS PER PLAN	EACH 1
632	LOOP DETECTOR UNIT, DELAY & EXTENSION TYPE, AS PER PLAN	EACH 4
632	LOOP DETECTOR PAVEMENT CUTTING	LIN FT 396
632	CONCRETE FOR ANCHOR BASE FOUNDATION	CU YDS 4.8
632	STRAIN POLE, TYPE TC 81.10, DESIGN 5	EACH 2
632	CONDUIT RISER, 1" DIAMETER	EACH 1
632	CABLE SUPPORT ASSEMBLY	EACH 3
632	MESSENGER WIRE, 7-STRAND, 3/8" DIAMETER WITH ACCESSORIES	LIN FT 86
632	MESSENGER WIRE, 7-STRAND, 1/4" DIAMETER WITH ACCESSORIES	LIN FT 145
632	SIGNAL CABLE, 7-CONDUCTOR No. 14 AWG	LIN FT 475
632	LOOP DETECTOR WIRE, TYPE E	LIN FT 820
632	LOOP DETECTOR LEAD IN CABLE	LIN FT 127
632	POWER CABLE, 2-CONDUCTOR, No. 8 AWG	LIN FT 152
632	POWER SERVICE	EACH 1
632	COVERING OF VEHICULAR SIGNAL HEAD	EACH 8
633	CONTROLLER, ACTUATED, 3 PHASE, EXPANSIBLE TO 4 PHASE, SOLID STATE DIGITAL MICROPROCESSOR	EACH 1
633	CONCRETE FOR CABINET FOUNDATION	CU YDS 1.0
633	CONTROLLER WORK PAD	SQ FT 8.3

SIGNAL PLAN