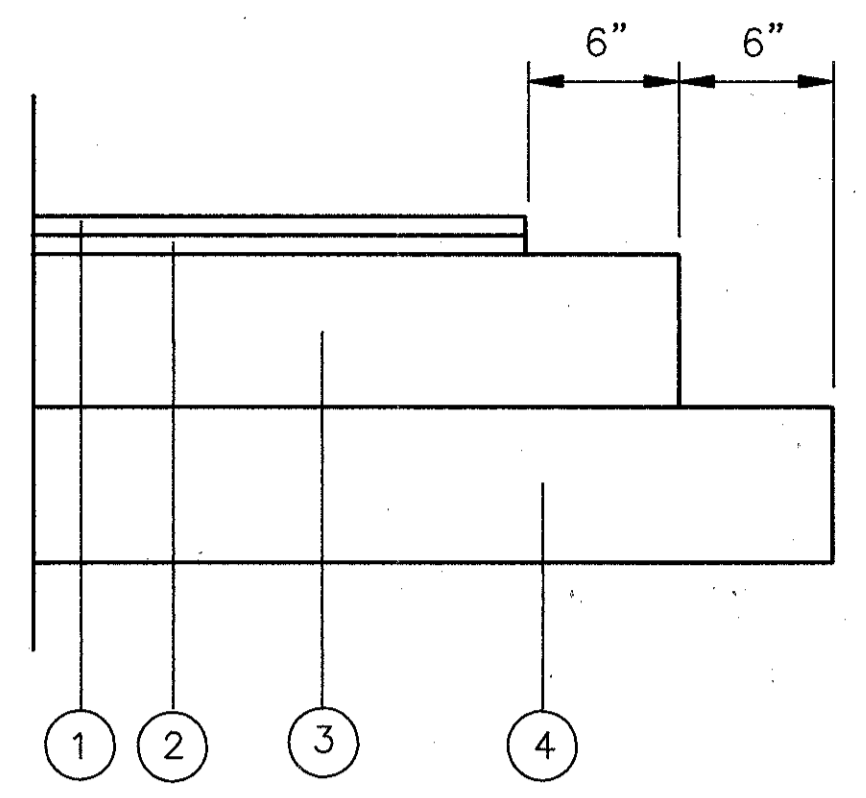
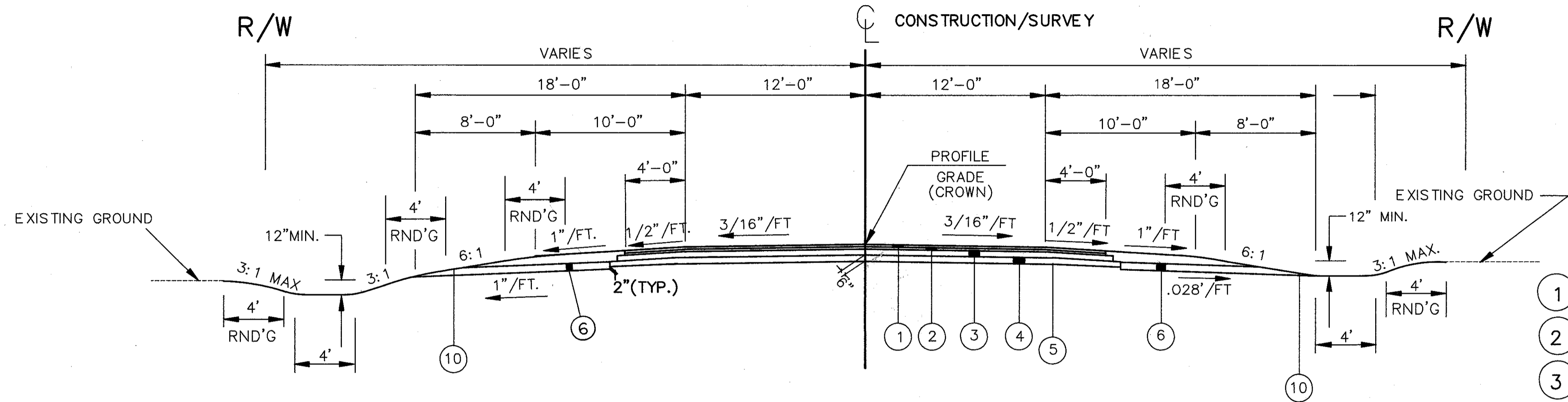


TYPICAL SECTIONS



SCALE
TYPE 404 ON 301

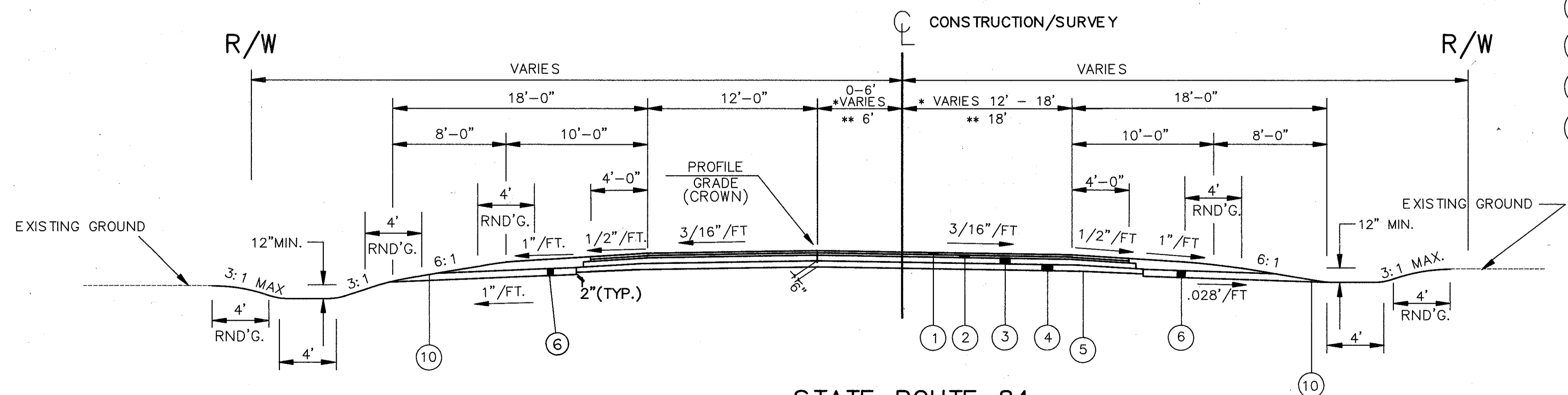


EDGE COURSE DETAIL
(NO SCALE)

LEGEND

- ① ITEM 404 1-1/4" ASPHALT CONCRETE, AC-20
- ② ITEM 402 1-3/4" ASPHALT CONCRETE, AC-20
- ③ ITEM 301 6" BITUMINOUS AGGREGATE BASE, AC-20
- ④ ITEM 304 AGGREGATE BASE, AS PER PLAN
- ⑤ ITEM 203 SUBGRADE COMPACTION
- ⑥ ITEM 605 AGGREGATE DRAIN
- ⑦ ITEM 605 6" SHALLOW PIPE UNDERDRAIN
- ⑧ ITEM 605 6" UNCLASSIFIED PIPE UNDERDRAIN
- ⑨ ITEM 609 COMBINATION CURB AND GUTTER, TYPE 2
- ⑩ ITEM 659 SEEDING AND MULCHING
- ⑪ ITEM 254 PAVEMENT PLANING, BITUMINOUS
- ⑫ ITEM 407 TACK COAT

STATE ROUTE 84
NORMAL SECTION "A"
STA. 522+50 TO STA. 530+08 = 758.00 LIN.FT.



STATE ROUTE 84
NORMAL SECTION "B"
* STA. 530+08 TO 532+48 = 240.00 LIN.FT.
** STA. 532+48 TO 532+90 = 42.00 LIN.FT.
282.00 LIN.FT.

NOTE: FOR EXISTING TYPICAL SECTIONS
SEE SHEET NO. 15, 18 & 30.

STATE ROUTE 84