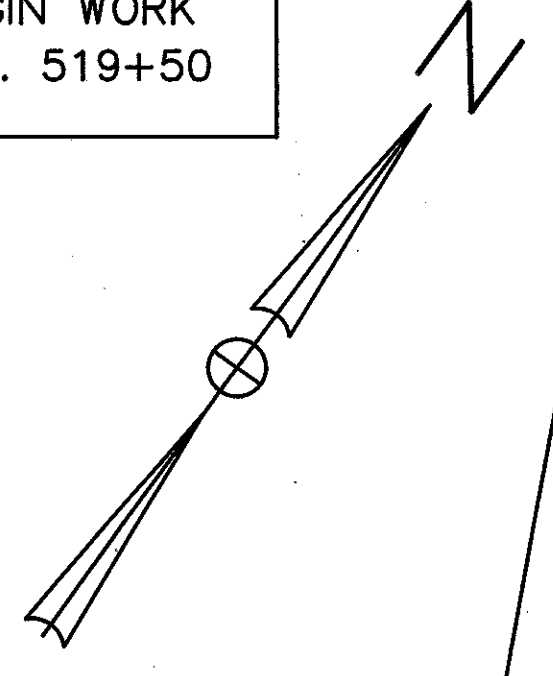
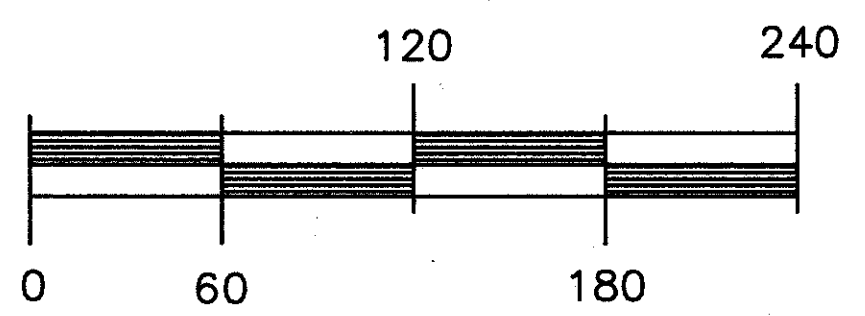


SCHEMATIC PLAN

BEGIN WORK
STA. 519+50



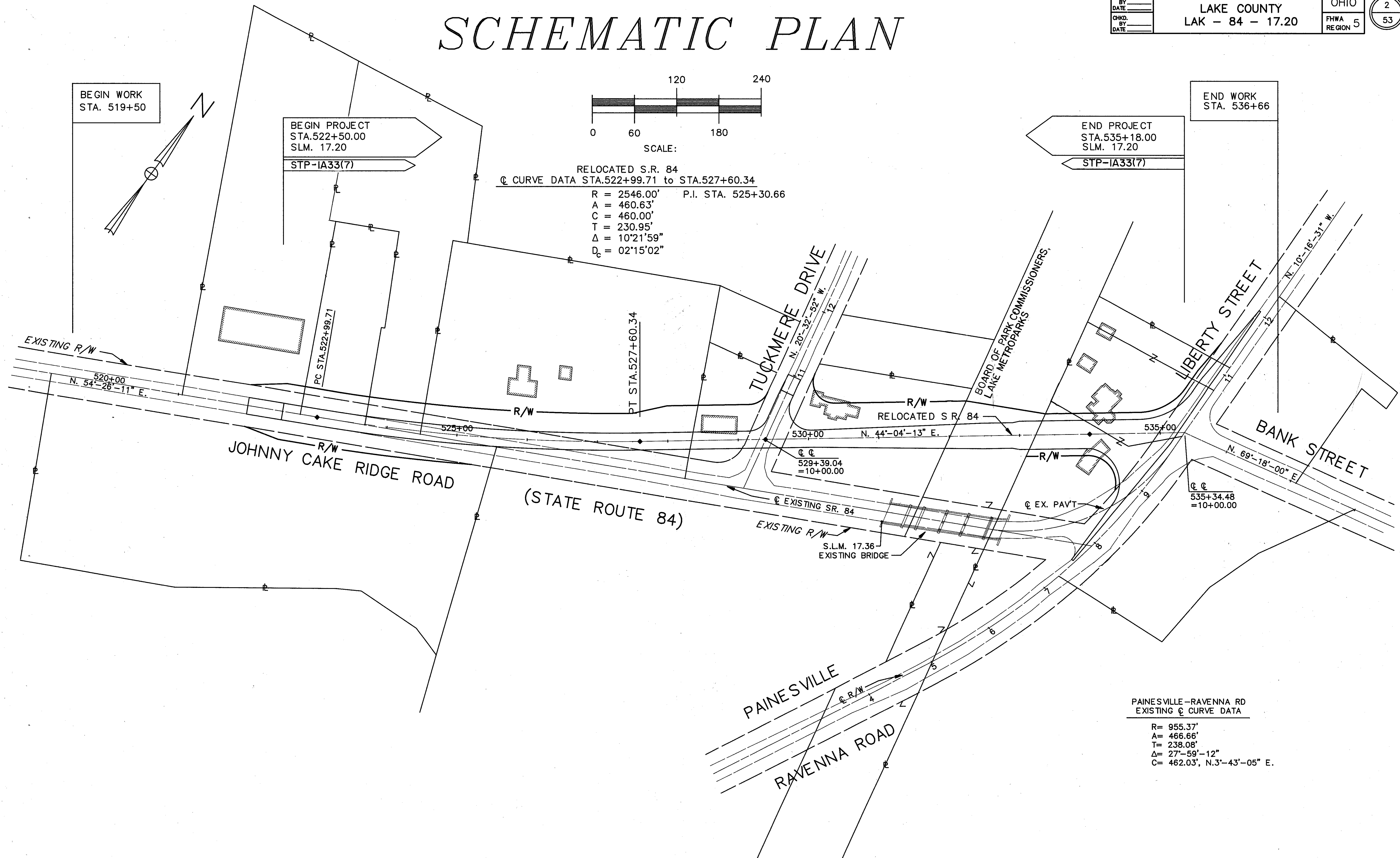
BEGIN PROJECT
STA. 522+50.00
SLM. 17.20
STP-IA33(7)



END WORK
STA. 536+66

END PROJECT
STA. 535+18.00
SLM. 17.20
STP-IA33(7)

RELOCATED S.R. 84
 C CURVE DATA STA. 522+99.71 to STA. 527+60.34
 R = 2546.00' P.I. STA. 525+30.66
 A = 460.63'
 C = 460.00'
 T = 230.95'
 Δ = 10°21'59"
 D_c = 02°15'02"



PAINESVILLE - RAVENNA RD
EXISTING C CURVE DATA
 R = 955.37'
 A = 466.66'
 T = 238.08'
 Δ = 27°-59'-12"
 C = 462.03', N. 3°-43'-05" E.

STATE ROUTE 84