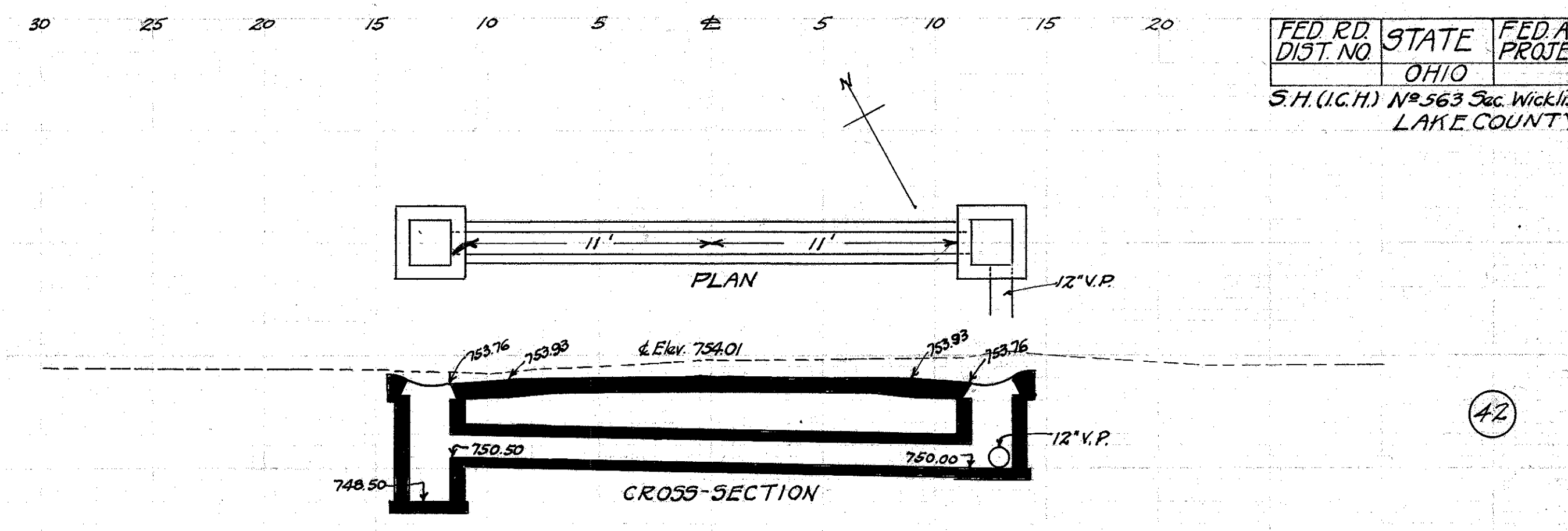


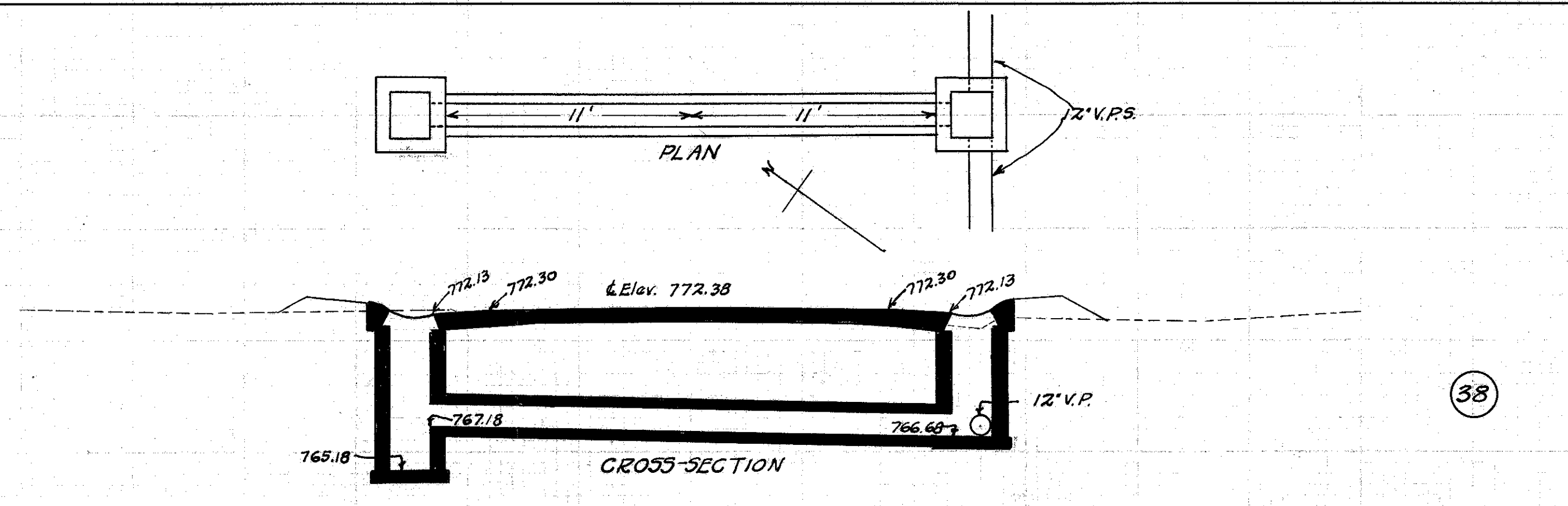
CULVERT DATA
 Type: Std. V.S.P. culvert Dr. #300
 Size: 12" x 24'
 Work Req: Build 12" x 24' Std. V.P. (enc.) culvert
 C.B. on L. I.B. on R.
 Drawn by Cumings & Plummer Checked by
 Date 4/2/28 Date

EST. QUANTITIES
 Exc. 10.4 Cu. Yds.
 Conc. 1-8 2.38 Cu. Yds.
 12" V.P. 24 Lin. Ft.
 C.B. 1
 I.B. 1
 Div'n. Engr. Sta. 172+0



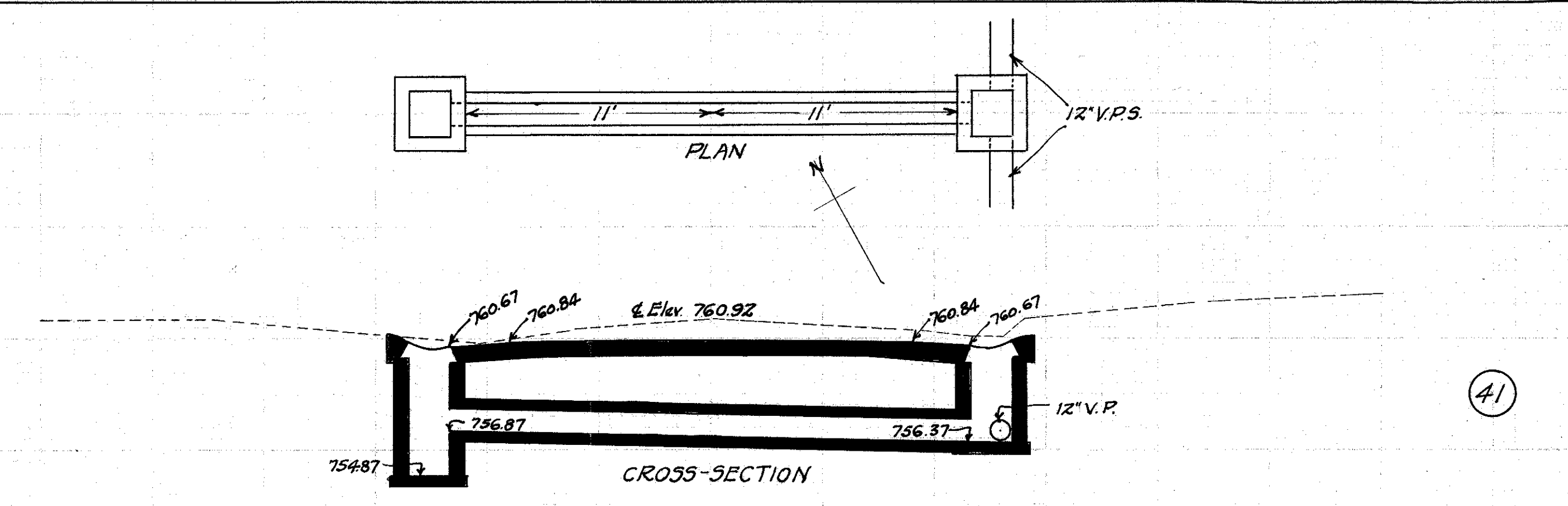
CULVERT DATA
 Type: Std. V.S.P. culvert Dr. #300
 Size: 12" x 24'
 Work Req: Build 12" x 24' Std. V.P. (enc.) culvert.
 C.B. on L. I.B. on R.
 Drawn by Cumings & Plummer Checked by
 Date 4/2/28 Date

EST. QUANTITIES
 Exc. 78 Cu. Yds.
 Conc. 1-8 2.38 Cu. Yds.
 12" V.P. 24 Lin. Ft.
 C.B. 1
 I.B. 1
 Div'n. Engr. Sta. 184+25



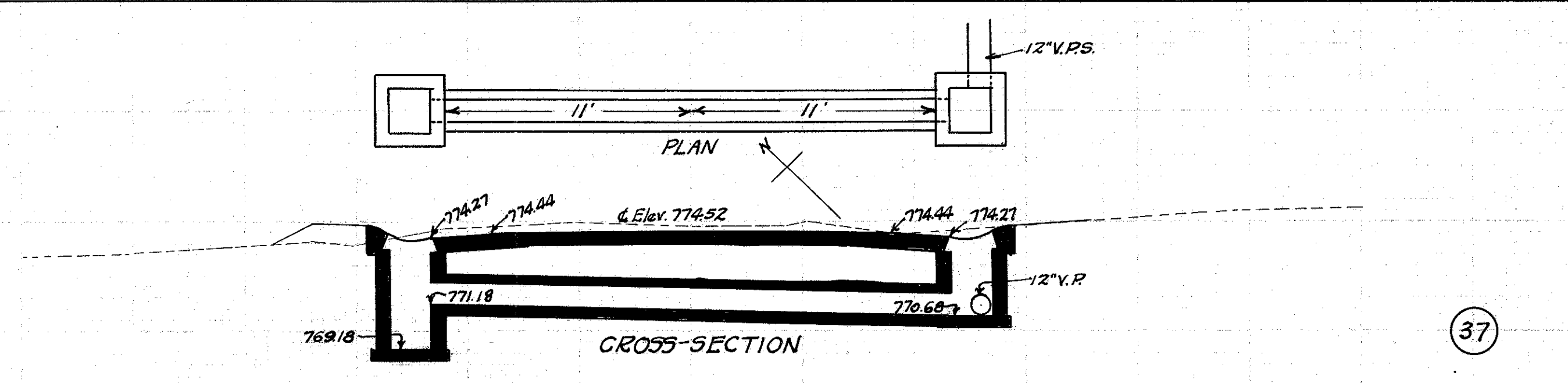
CULVERT DATA
 Type: Std. V.S.P. culvert Dr. #300
 Size: 12" x 24'
 Work Req: Build 12" x 24' Std. V.P. (enc.) culvert
 C.B. on L. I.B. on R.
 Drawn by Cumings & Plummer Checked by
 Date 4/2/28 Date

EST. QUANTITIES
 Exc. 9.3 Cu. Yds.
 Conc. 1-8 2.38 Cu. Yds.
 12" V.P. 24 Lin. Ft.
 C.B. 1
 I.B. 1
 Div'n. Engr. Sta. 168+0



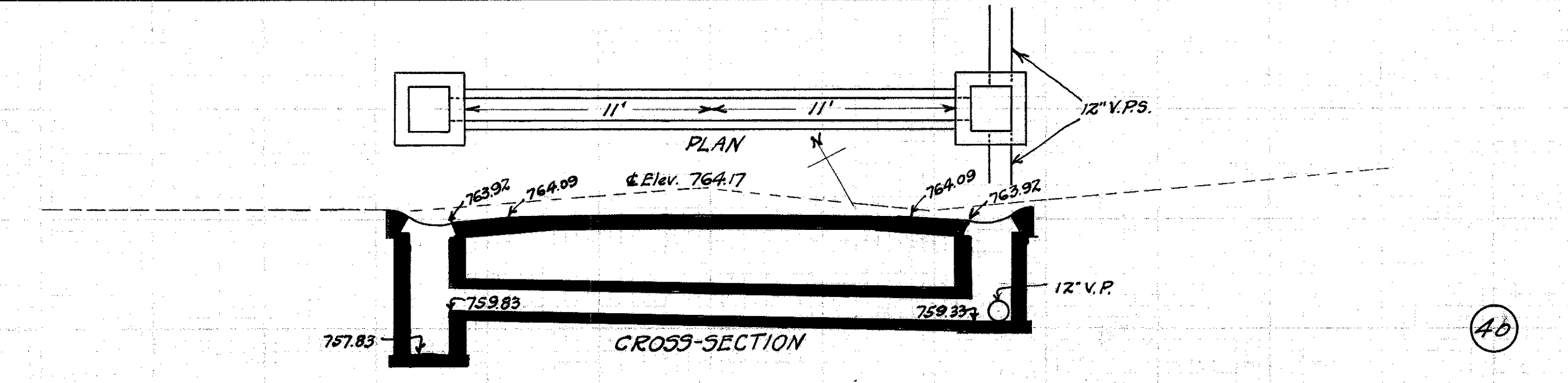
CULVERT DATA
 Type: Std. V.S.P. culvert Dr. #300
 Size: 12" x 24'
 Work Req: Build 12" x 24' Std. V.P. (enc.) culvert
 C.B. on L. I.B. on R.
 Drawn by Cumings & Plummer Checked by
 Date 4/2/28 Date

EST. QUANTITIES
 Exc. 87 Cu. Yds.
 Conc. 1-8 2.38 Cu. Yds.
 12" V.P. 24 Lin. Ft.
 C.B. 1
 I.B. 1
 Div'n. Engr. Sta. 180+0



CULVERT DATA
 Type: Std. V.S.P. culvert Dr. #300
 Size: 12" x 24'
 Work Req: Build 12" x 24' Std. V.P. (enc.) culvert
 C.B. on L. I.B. on R.
 Drawn by Cumings & Plummer Checked by
 Date 4/2/28 Date

EST. QUANTITIES
 Exc. 7.2 Cu. Yds.
 Conc. 1-8 2.38 Cu. Yds.
 12" V.P. 24 Lin. Ft.
 C.B. 1
 I.B. 1
 Div'n. Engr. Sta. 164+0



CULVERT DATA
 Type: Std. V.S.P. culvert Dr. #300
 Size: 12" x 24'
 Work Req: Build 12" x 24' Std. V.P. (enc.) culvert.
 C.B. on L. I.B. on R.
 Drawn by Cumings & Plummer Checked by
 Date 4/2/28 Date

EST. QUANTITIES
 Exc. 9.3 Cu. Yds.
 Conc. 1-8 2.38 Cu. Yds.
 12" V.P. 24 Lin. Ft.
 C.B. 1
 I.B. 1
 Div'n. Engr. Sta. 176+0