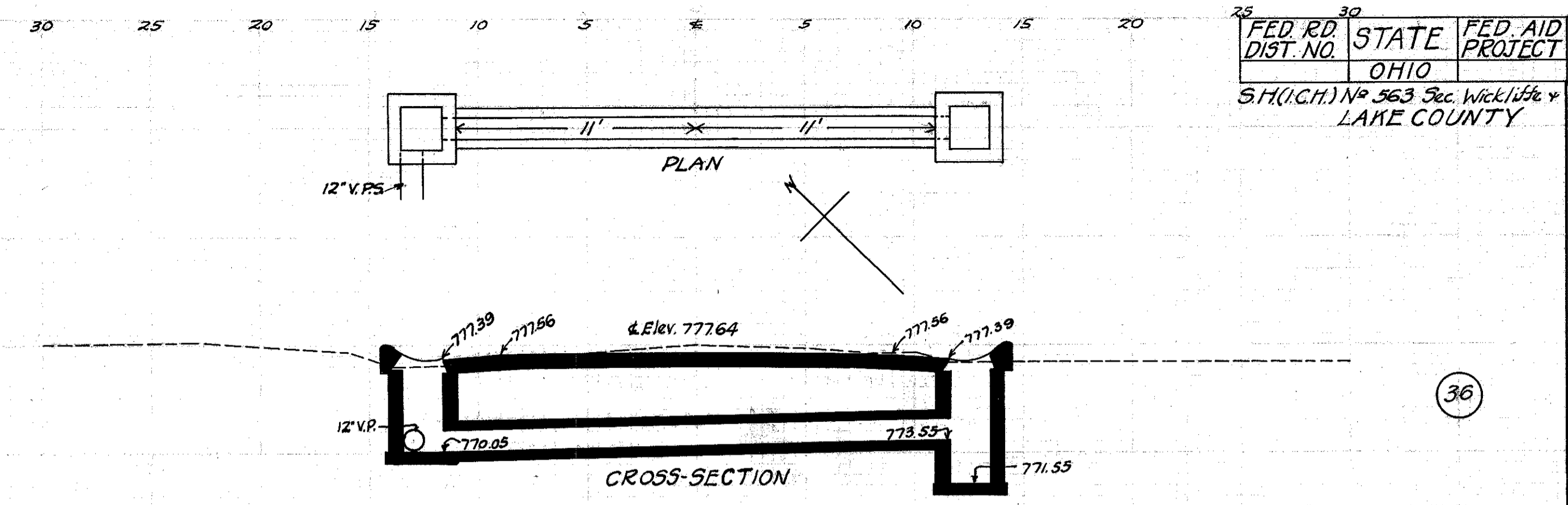


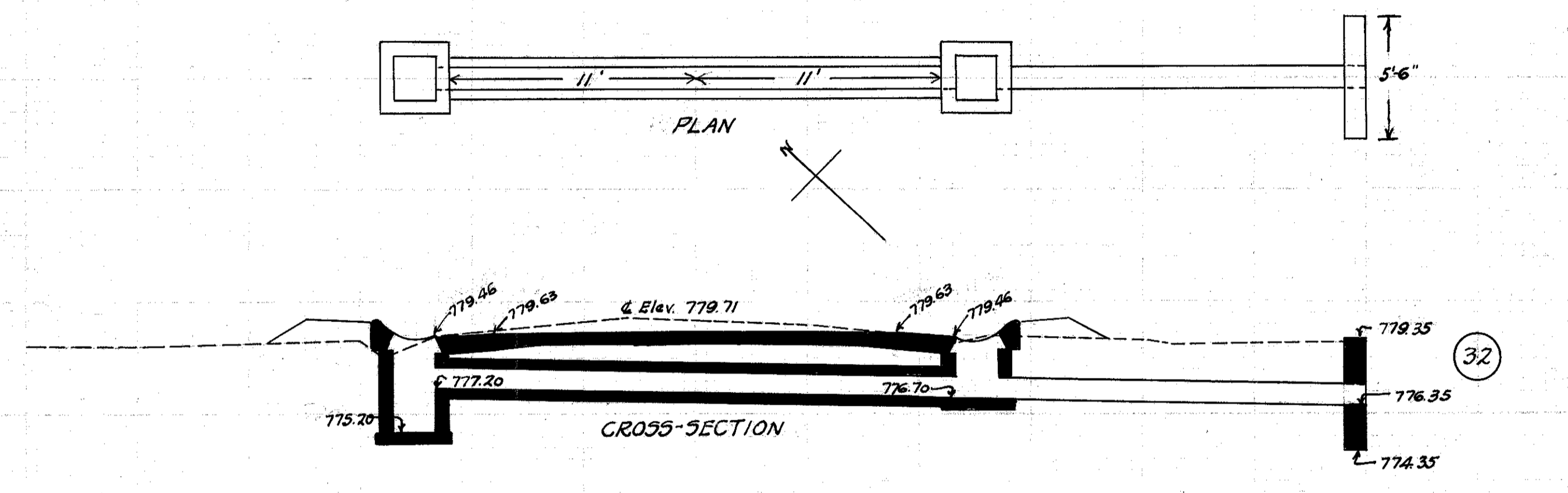
CULVERT DATA
 Type: Std. V.S.P. culvert Dr. #300
 Size: 12" x 24'
 Work Req.: Build 12" x 24' Std. V.P. (enc.) culvert
 C.B. on L I.B. on R.
 Drawn by Cumings + Plummer Checked by
 Date 4/2/28 Date Div'n. Engr. Sta. 143+0

EST. QUANTITIES
 Exc. 9.0 cu. yds
 Con. I-B 2.38 cu. yds
 12" V.P. 24 lin. ft.
 C.B. 1
 I.B. 1



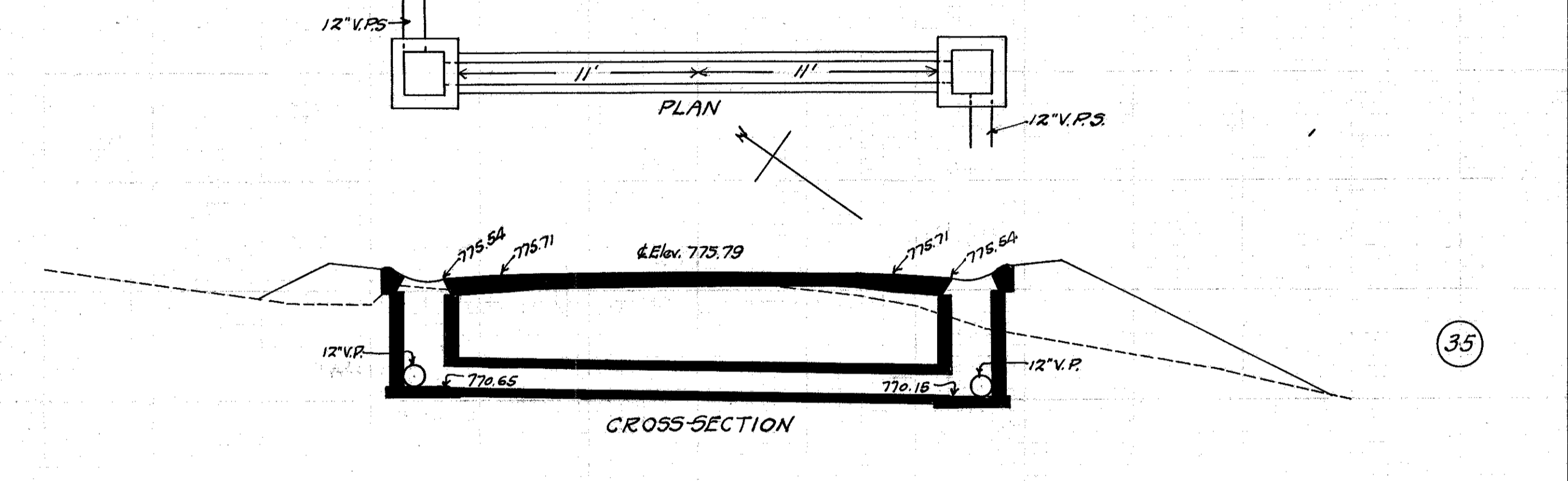
CULVERT DATA
 Type: Std. V.S.P. culvert Dr. #300
 Size: 12" x 24'
 Work Req.: Build 12" x 24' Std. V.P. (enc.) culvert
 C.B. on R I.B. on L.
 Drawn by Cumings + Plummer Checked by
 Date 4/2/28 Date Div'n. Engr. Sta. 158+50

EST. QUANTITIES
 Exc. 7.7 cu. yds
 Con. I-B 2.38 cu. yds
 12" V.P. 24 lin. ft.
 C.B. 1
 I.B. 1



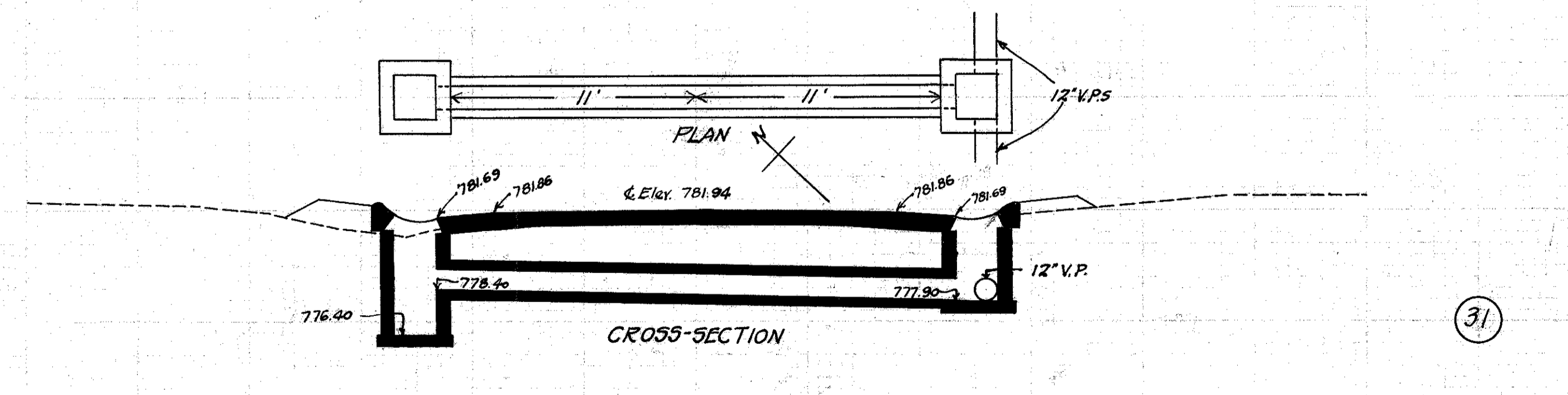
CULVERT DATA
 Type: Std. V.S.P. culvert Dr. #300
 Size: 12" x 40'
 Work Req.: Build 12" x 40' Std. V.P. culvert
 C.B. on L I.B. + H.W. on R Open ditch 50' to R.
 Drawn by Cumings + Plummer Checked by
 Date 4/2/28 Date Div'n. Engr. Sta. 138+0

EST. QUANTITIES
 Exc. 8.9 cu. yds
 Con. I-B 2.38 cu. yds
 12" V.P. 40 lin. ft.
 Con. 1-3/2 1 cu. yd.
 Reinf. Steel 33 lbs.
 C.B. 1
 I.B. 1



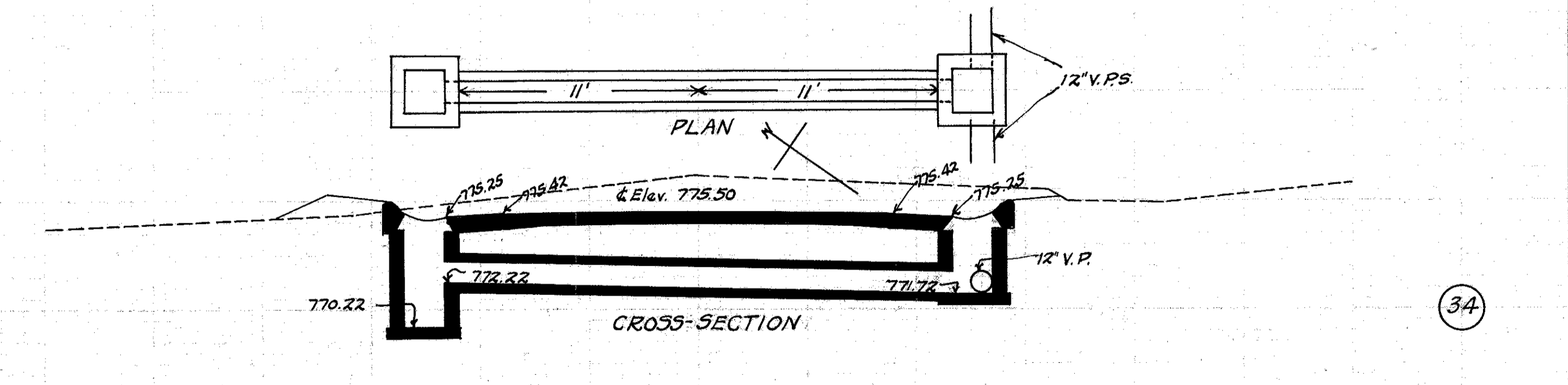
CULVERT DATA
 Type: Std. V.S.P. culvert Dr. #300
 Size: 12" x 24'
 Work Req.: Build 12" x 24' Std. V.P. (enc.) culvert
 I.B. R+L
 Drawn by Cumings + Plummer Checked by
 Date 4/2/28 Date Div'n. Engr. Sta. 152+50

EST. QUANTITIES
 Exc. 8.5 cu. yds
 Con. I-B 2.38 cu. yds
 12" V.P. 24 lin. ft.
 I.B. 2



CULVERT DATA
 Type: Std. V.S.P. culvert Dr. #300
 Size: 12" x 24'
 Work Req.: Build 12" x 24' Std. V.P. (enc.) culvert
 C.B. on L I.B. on R.
 Drawn by Cumings + Plummer Checked by
 Date 4/2/28 Date Div'n. Engr. Sta. 134+0

EST. QUANTITIES
 Exc. 6.1 cu. yds
 Con. I-B 2.38 cu. yds
 12" V.P. 24 lin. ft.
 C.B. 1
 I.B. 1



CULVERT DATA
 Type: Std. V.S.P. culvert Dr. #300
 Size: 12" x 24'
 Work Req.: Build 12" x 24' Std. V.P. (enc.) culvert
 C.B. on L I.B. on R
 Drawn by Cumings + Plummer Checked by
 Date 4/2/28 Date Div'n. Engr. Sta. 146+25

EST. QUANTITIES
 Exc. 8.3 cu. yds
 Con. I-B 2.38 cu. yds
 12" V.P. 24 lin. ft.
 C.B. 1
 I.B. 1